

Lawrence Berkeley National Laboratory

Lawrence Berkeley National Laboratory

Title

THE LBL 1-2 GeV SYNCHROTRON RADIATION SOURCE

Permalink

<https://escholarship.org/uc/item/03f1789g>

Author

Cornacchia, M.

Publication Date

1987-03-01



Lawrence Berkeley Laboratory

UNIVERSITY OF CALIFORNIA

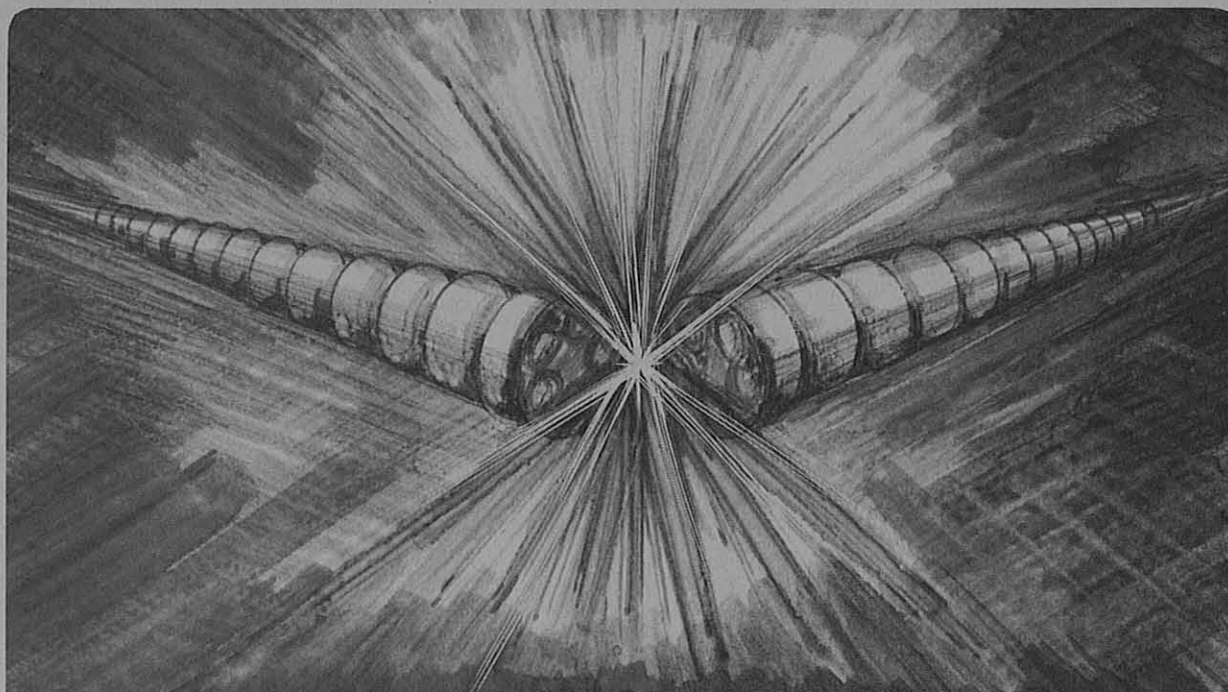
Accelerator & Fusion Research Division

Presented at the 1987 Particle Accelerator
Conference, Washington, DC, March 16-19, 1987

THE LBL 1-2 GeV SYNCHROTRON RADIATION SOURCE

M. Cornacchia

March 1987



LEGAL NOTICE

This book was prepared as an account of work sponsored by an agency of the United States Government. Neither the United States Government nor any agency thereof, nor any of their employees, makes any warranty, express or implied, or assumes any legal liability or responsibility for the accuracy, completeness, or usefulness of any information, apparatus, product, or process disclosed, or represents that its use would not infringe privately owned rights. Reference herein to any specific commercial product, process, or service by trade name, trademark, manufacturer, or otherwise, does not necessarily constitute or imply its endorsement, recommendation, or favoring by the United States Government or any agency thereof. The views and opinions of authors expressed herein do not necessarily state or reflect those of the United States Government or any agency thereof.

LBL-22192
ESG-23

THE LBL 1-2 GeV SYNCHROTRON RADIATION SOURCE*

M. Cornacchia

Lawrence Berkeley Laboratory
University of California
Berkeley, CA 94720

March 1987

*This was supported by the Director, Office of Energy Research, Office of High Energy and Nuclear Physics, High Energy Physics Division, U.S. Dept. of Energy, under Contract No. DE-AC03-76SF00098.

THE LBL 1-2 GeV SYNCHROTRON RADIATION SOURCE*

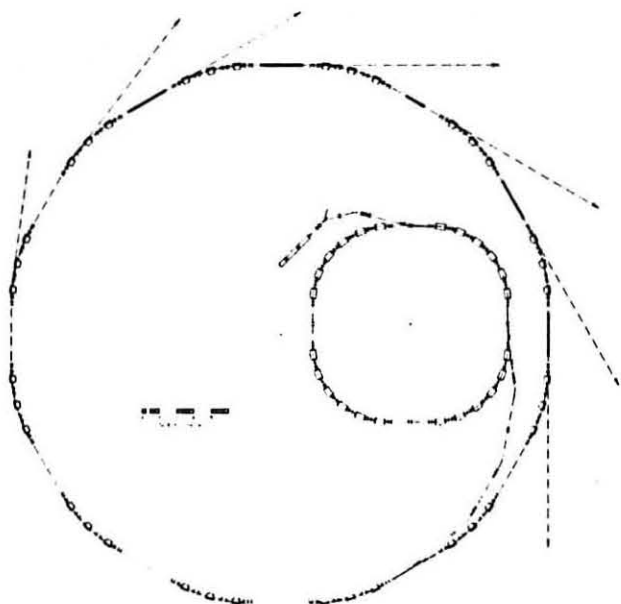
M. Cornacchia
Lawrence Berkeley Laboratory
University of California
Berkeley, California 94720, USA

Abstract

A description is presented of the conceptual design of the 1-2 GeV Synchrotron Radiation Source proposed for construction at Lawrence Berkeley Laboratory. This facility is designed to produce ultraviolet and soft x-ray radiation. The accelerator complex consists of an injection system (linac plus booster synchrotron) and a low-emittance storage ring optimized for insertion devices. Eleven straight sections are available for undulators and wigglers, and up to 48 photon beam lines may ultimately emanate from bending magnets. Design features of the radiation source are the high brightness of the photon beams, the very short pulses (tens of picoseconds), and the tunability of the radiation.

1. Introduction

The Lawrence Berkeley Laboratory has designed a synchrotron radiation facility for the production of high-brightness photon beams in the energy range from a few eV to several keV. The 1-2 GeV Synchrotron Radiation Source consists of low-emittance storage ring optimized for insertion devices and for operation at 1.5 GeV. Eleven straight sections are available for undulators and wigglers, and up to 48 photon beam lines may ultimately emanate from bending magnets. Design features of the storage ring are the very low horizontal electron beam emittance (4×10^{-9} m-rad, rms value), the short bunch length (20-50 ps, rms value), and the tunability of the radiation. The design accommodates the requirements of a broad range of scientific disciplines, including atomic and molecular physics, biology and medicine, chemical dynamics, materials and surface science, and industrial research and technology.



XBL 866-2207

Fig. 1. Overall layout of storage ring and injection system.

Construction funding for the facility was included in the President's 1988 budget request. The project schedule is for construction to start in fiscal year 1988. The completion date is foreseen for the end of 1992.

2. General Description of the Facility

The 1-2 GeV Synchrotron Radiation Source consists of an injection system (linac plus booster synchrotron), a low-emittance storage ring optimized at 1.5 GeV (maximum energy 1.9 GeV), several insertion devices located in the storage ring straight sections, and beam lines from the insertion devices and bending magnets. The major parameters of the Light Source are given in Table 1. The layout of the accelerator complex is shown in Fig. 1.

Table 1. Summary of major storage ring parameters^a

Nominal energy (GeV)	1.5
Maximum circulating current, multibunch (mA)	400
Maximum circulating current, single bunch (mA)	7.6
Natural horizontal emittance (m-rad) ^b	4.08×10^{-9}
Bunch length (ps), (2σ) at maximum current	
Multibunch (ps)	28
Single bunch (ps)	47
Peak energy (GeV)	1.9
Beam lifetime, half-life	
Gas scattering ^c (hr)	10.5
Touschek, maximum current	
Multibunch (hr)	18.5
Single bunch (hr)	8.4
Filling time	
Multibunch, to 400 mA (min)	2.1
Single bunch, to 7.6 mA per bunch (s)	16
Circumference (m)	196.8
Orbital period (ns)	656.4
Harmonic number	328
Radio frequency (MHz)	499.654
Peak effective rf voltage (MV)	1.5
Number of superperiods	12
Insertion straight section length (m)	6.75
Length available for insertion device (m)	5.0
Bending field (T)	1.248
Injection energy (GeV)	1.5
Betatron tunes	
Horizontal	14.28
Vertical	8.18
Synchrotron tune	0.0082
Natural chromaticities	
Horizontal	-24.1
Vertical	-28.5
Beta functions at insertion symmetry points	
Horizontal (m)	11.0
Vertical (m)	4.0
Momentum compaction	1.43×10^{-3}
Damping times	
Horizontal (ms)	13.1
Vertical (ms)	17.6
Longitudinal (ms)	10.7
Number of sextupole families	2

^aAll parameters at nominal energy unless otherwise noted.

^bDefined as $\epsilon = \sigma^2/\beta$, where σ is the rms beam size and β the amplitude function.

^c10-mm vertical gap, 1 n Torr N₂

*This work is supported by the Office of Basic Energy Sciences of the U.S. Department of Energy under Contract No. DE-AC03-76SF00098.

Lattice Design and Single Particle Dynamics

The layout of one of the storage ring superperiods is shown in Fig. 2. Each superperiod has reflection symmetry around a central dipole and consists of a "dispersive region", where the bending occurs, matched to a straight section, 6.75 m long, reserved for undulators, wigglers, injection hardware and radio-frequency cavities. The straight sections are dispersion free, and the optics functions are optimized for brightness. The lattice achieves a very small emittance (4×10^{-9} m-rad) with moderate focusing. This structure, called a "triple-bend achromat" because it incorporates three combined function dipole-quadrupole magnets per superperiod, was first proposed by G. Vignola for a 6-GeV light source [1].

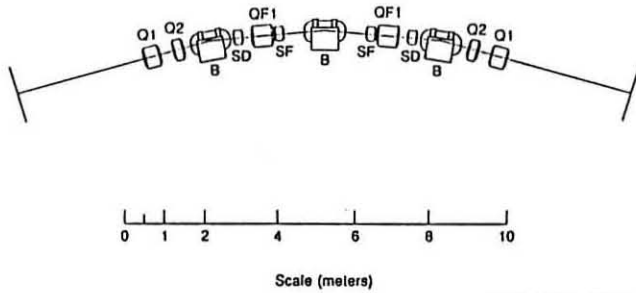


Fig. 2. One unit cell of the TBA structure.

Figure 3 shows the lattice functions in a superperiod of the accelerator. Figure 4 gives the momentum-dependent tune shifts. The momentum acceptance of the lattice, of the order of $\pm 4\%$ in $\Delta p/p$, gives a Touschek lifetime of the order of 18 hours when the ring is filled with a current of 400 mA. Only two families of sextupoles are required for chromaticity correction.

The dynamic half-aperture of the machine is 23 mm in the horizontal plane (at $\beta_x = 11$ m) and 10 mm in the vertical plane (at $\beta_y = 4$ m). The presence of magnetic imperfections in the magnets reduces the dynamic aperture to 18 mm horizontally and 9 mm vertically. This aperture is comfortably larger than the minimum needed for multitrans injection in the radial plane and for a long beam lifetime.

The closed orbit is monitored by 96 pick-ups (horizontal and vertical) and corrected with 72 horizontal and 48 vertical steering magnets. The peak value of the

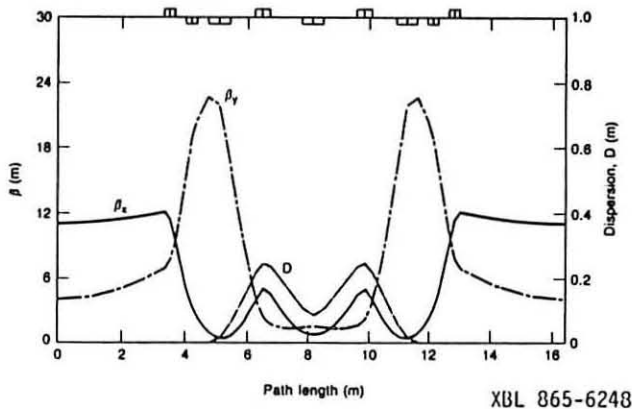


Fig. 3. Lattice functions through one unit cell of the TBA structure.

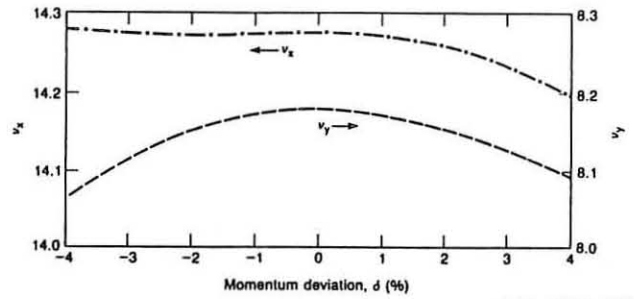


Fig. 4. Momentum-dependent tune shifts.

uncorrected orbit is, typically, of the order of 10 mm. After correction, the maximum value is 0.1 mm. The following random errors have been assumed in the simulation of the orbit distortions (rms values).

- Magnet alignment errors = 0.15 mm
- Relative bending magnet field errors = 1.5×10^{-3}
- Dipole roll angle = 0.5 mrad
- Monitor alignment error = 0.1 mm

RF Choice and Collective Effects

The achievement of short bunches is a design goal of the Light Source, since this is a very desirable feature for many users. In practice, the attainable bunch length is determined by the rf parameters and the constraints of the longitudinal microwave instability. A high frequency favors short bunches, and for this reason, 500 MHz was chosen. For this frequency, there are well-proven cavity designs at various accelerator centers (KEK, BESSY, Daresbury, DESY). The influence of the longitudinal microwave instability is determined by the effective impedance assumed for the ring. Figure 5 shows the expected bunch length as a function of the circulating current. It is expected that the effective longitudinal impedance will decrease for bunch lengths which are shorter than the pipe radius, as was determined experimentally at SPEAR [2]. Accordingly, Fig. 5 shows two curves, one that assumes SPEAR scaling and one that does not.

The beam coupling impedance has been estimated by taking into account the contributions of the rf system, the geometry of the vacuum chamber (see also the discussion of the vacuum system, below), and the effect of chamber discontinuities due to narrow-gap insertion devices. For 2-cm-gap undulators, microwaves at frequencies above

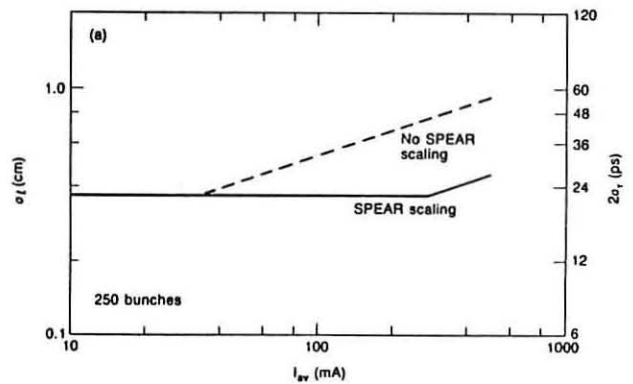


Fig. 5. Bunch length vs. current at 1.5 GeV, with and without the SPEAR scaling law, for the 250-bunch case.

8 GHz will propagate through the tube, thus having a small effect on the impedance seen by the beam. For a 1 cm gap, the cutoff frequency increases to 16 GHz, and effects due to the single-bunch instability begin to become significant.

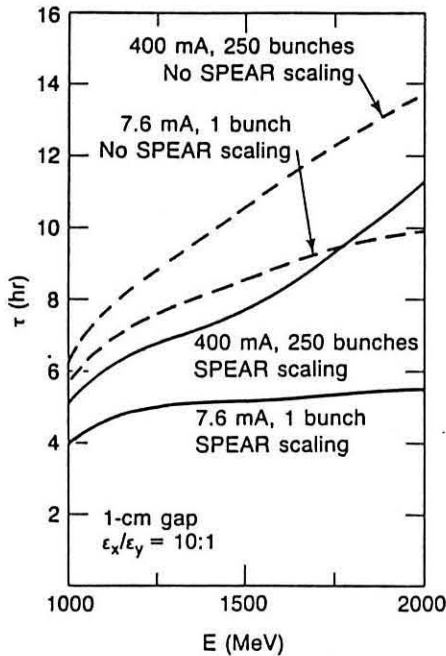
Intrabeam scattering will have a negligible effect on emittance growth at the nominal energy of 1.5 GeV. Large-angle intrabeam scattering, however, does affect the lifetime of the beam (Touschek effect). The other physical phenomenon that determines the lifetime of the beam is gas scattering. In order to accommodate undulator gaps as small as 1.4 cm, corresponding to a beam aperture of 1 cm, a vacuum of 1×10^{-9} Torr is a design goal. The predicted overall beam lifetime is shown in Fig. 6 for single-bunch (higher peak current) and multibunch scenarios, assuming a limiting aperture of 1 cm.

Vacuum System

A major obstacle to the achievement of the design goal of 1×10^{-9} Torr is the desorption of molecules from the chamber walls. This is caused by photoelectrons, which are created by photons hitting the walls. LBL has developed a new approach to this problem, illustrated by the vacuum chamber configuration shown in Fig. 7. The electron beam circulation region is connected by a long, continuous slit to an antechamber, which contains discrete water-cooled synchrotron radiation absorbers. The gas is generated at these absorbers, which are located directly above the titanium sublimation pump. Measurements and computations show that the presence of the antechamber has a negligible effect on the beam coupling impedance. This because the antechamber contributes only above the cutoff frequency of the slot (about 10 GHz). At these frequencies, the waves propagate freely in the beam tube.

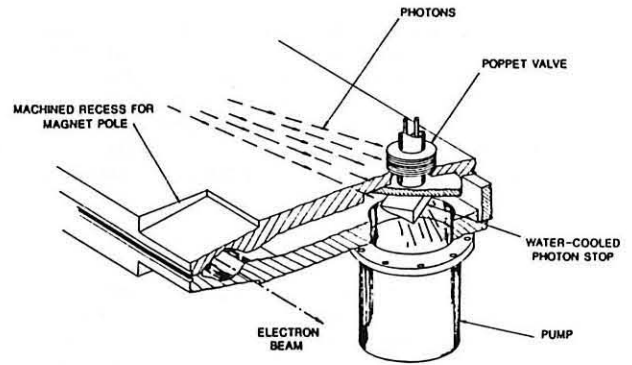
Magnet System

The ring magnets consist of gradient bending magnets, quadrupoles, sextupoles, skew quadrupoles, small dipole magnets for orbit correction, and special septum and bump magnets for injection. The magnets are of a C



XBL 865-6224

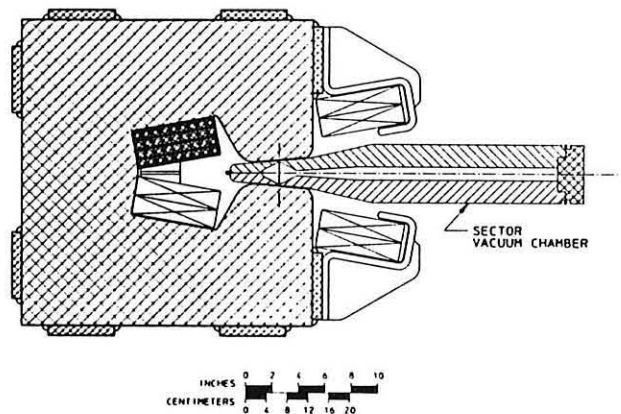
Fig. 6. Predicted overall beam lifetimes for single-bunch and multibunch scenarios, assuming an undulator gap of 1 cm.



XBL 865-2028 A

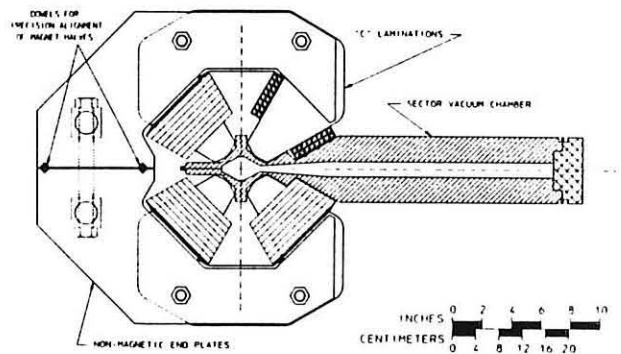
Fig. 7. Cutaway view of the Light Source vacuum chamber, showing a photon stop and titanium sublimation pump.

configuration to permit easy extraction of synchrotron radiation and to accommodate the vacuum chamber. Figures 8 and 9 show the designs of the gradient bending magnets and the quadrupoles. The sextupoles incorporate the skew quadrupoles and the correcting dipole circuits as well. Special steering dipoles for correcting the orbit in the insertion region are also provided.



XBL 865-2037 A

Fig. 8. Storage ring bending magnet cross section, including a close-up view of the pole area.



XBL 865-2116 A

Fig. 9. Storage ring quadrupole magnet cross section

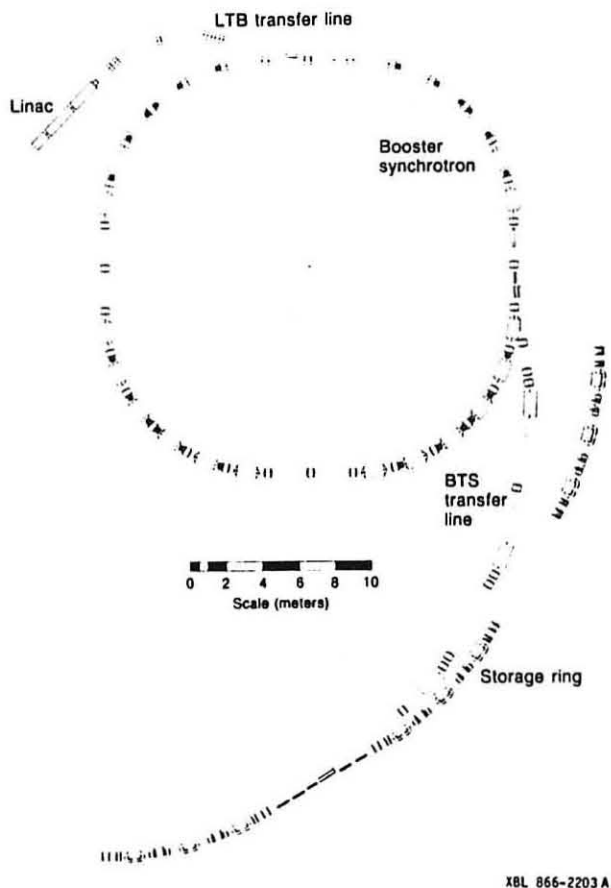
Storage Ring Electrical System

The 36 gradient bending magnets in the storage ring are electrically connected in series and powered by a single power supply consisting of a 12-phase rectifier with an LC filter and a series transistor bank. The 24 QF1 quadrupole magnets (see Fig. 2) are electrically connected in series to a single power supply of the same type. The remaining 48 quadrupole magnets (Q1 and Q2) are individually powered by separate supplies.

Injection System

A layout of the injection system is shown in Fig. 10. A 50-MeV linac injects the bunches into a booster, where the energy of the beam is increased to 1.5 GeV. Injection at the nominal operating energy of the storage ring is desirable for reasons of ease of operation and reproducibility of the experimental conditions. (For those experiments requiring operation at 1.9 GeV, the beam energy will be ramped). The booster is a ring of 70-m circumference. Its lattice is a simple FODO structure accommodating 4 straight sections for injection, extraction and rf.

There are two different operating scenarios. The multibunch operating mode requires that the storage ring be filled to a current of 400 mA in approximately 250 consecutive bunches (out of a total of 328; the gap is needed to avoid ion trapping). For the few bunch operating mode, we assume a current of 7.6 mA per bunch. In this mode, the bunches are filled one at a time. Filling times are 2.1 min in the multibunch mode and 16 sec per bunch in the single bunch mode.



XBL 866-2203 A

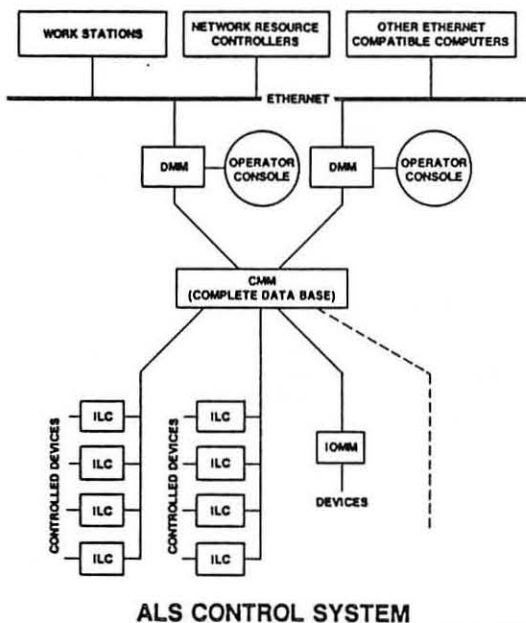
Fig. 10. Schematic diagram of the injection system layout.

Control System

The control system will use a highly distributed, microprocessor-based architecture that is bus-based and features parallel processing and a distributed data base. The major benefits of this architecture are improved system response time, simplification of the programming effort, and adaptability to future development.

A block diagram of the control system architecture is shown in Fig. 11. It consists of

- A set of chassis that use parallel microcomputers and that serve as the interface units (Input-Output Micro Modules, or IOMMS)
- A large number of single-processor units (Intelligent Local Controllers, or ILC)
- A central data base storage/collector (Collector Micro Module, or CMM)
- The operator display driver (Display Micro Module, or DMM).



XBL 8211-7403

Fig. 11. Block diagram of the overall control system architecture.

The computer control system provides a means for accessing all machine components, so that their values can be set and monitored remotely. To allow flexible control, a number of computer programs will be provided to the operator. The status of the machine devices will be displayed, with graphics where appropriate, and software will be developed for archival storage and retrieval of machine parameters.

3. Photon Performance

There are 11 straight sections in the storage ring devoted to insertion devices; in each straight section 5 m is available for insertion devices. Figure 12 shows a layout of the maximum number of beam lines that can be extracted from a superperiod of the storage ring. The initial construction program includes four undulators, one wiggler and two bending magnet beamlines. The characteristics of the insertion devices are given in Table 2, and their performance is shown in Fig. 13, which depicts the high

photon brightness achievable at this facility. The Light Source is optimum for the production of undulator photons in the nominal energy range from 1 to 1000 eV.

4. Beam lines

The extraordinary performance of the 1-2 GeV Synchrotron Radiation Source with regard to brightness generates opportunities for many new types of scientific investigations. The optical systems must perform in such a way that no phase-space smearing occurs, and they must work in the presence of considerable photon beam power. The optical surface tolerances involved are around one microradian and require careful design and fabrication strategies.

An important feature of the optical systems is their phase-space acceptance. With the presently achievable phase-space properties of state-of-the-art monochromators adjusted for high resolution (narrow slits), it has not hitherto been possible to accept more than a small fraction of the beam from the source. With the proposed Light Source, however, the low source emittance promises a total system that delivers photons at 1 keV with bandwidth of 10^{-4} without the loss of photons due to phase space-mismatch.

Table 2. Parameters for the initial complement of insertion devices chosen for the Light Source.

Name	Period (cm)	No. of Periods	Photon Energy Range (eV) ^a	Critical Energy (keV)
Undulators				
U20.0	20.0	23	0.5-9.5 [1.5-285]	-
U9.0	9.0	53	5-211 [15-633]	-
U5.0	5.0	98	50-380 [150-1140]	-
U3.65	3.65	134	183-550 [550-1650]	-
Wiggler				
W13.6	13.6	16	-	3.1

^aThe photon energy range of the fundamental and the third harmonic (shown in brackets) as K decreases from its maximum value to 0.5.

5. Summary

The 1-2 GeV Synchrotron Radiation Source, to be constructed at Lawrence Berkeley Laboratory, is a third generation synchrotron radiation facility optimized for insertion devices. The design concepts emphasize high spectral brightness from undulators, high flux from wigglers, picosecond time structure, and a capability to accommodate many beam lines. The engineering and accelerator physics aspects, although challenging, are within reach of the available technology and the present understanding of beam dynamics issues.

References

1. G. Vignola, "Preliminary Design of a Dedicated 6 GeV Synchrotron Radiation Storage Ring," Nucl. Instrum. Methods., A236 (1985) 414.
2. A.W. Chao and J. Gareyte, "Scaling Law for Bunch Lengthening in SPEAR II," PEP-224, December 1976.

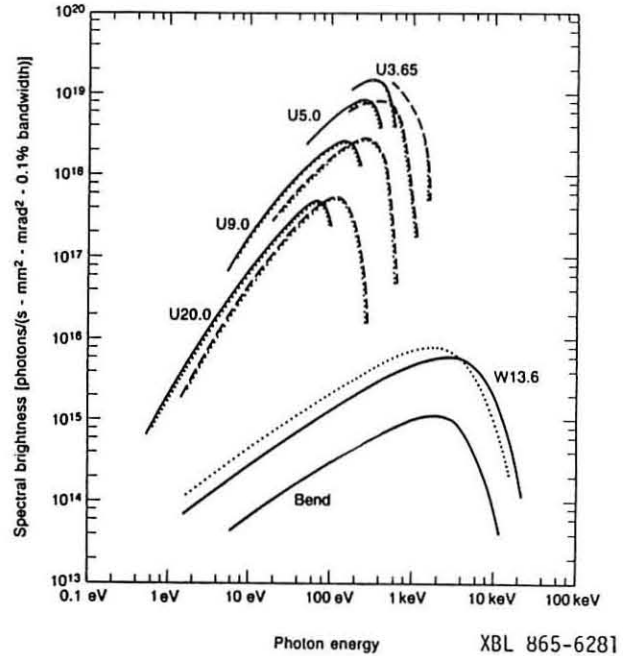


Fig. 13. Spectral brightness as a function of energy for the four undulators and one wiggler described in Table 2, together with the bending magnets for the Light Source. For the undulators, the tuning range is shown for both the fundamental (solid lines) and the third harmonic (dashed lines). The dotted lines show corresponding curves for spectral brightness at commissioning, when the minimum magnet gap will be 2.5 cm.

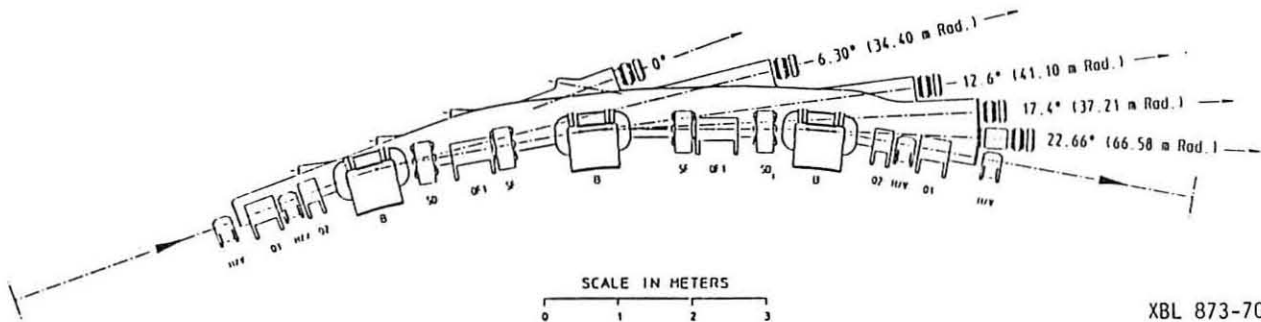


Fig. 12. Layout of magnets and beam lines in one period of the storage ring. H/V are horizontally and vertically steering dipoles

XBL 873-705