

Lawrence Berkeley National Laboratory

LBL Publications

Title

LBL Computing Newsletter Vol 25 No 1

Permalink

<https://escholarship.org/uc/item/3gg4s0px>

Author

Lawrence Berkeley National Laboratory

Publication Date

1988

DISCLAIMER

This document was prepared as an account of work sponsored by the United States Government. While this document is believed to contain correct information, neither the United States Government nor any agency thereof, nor the Regents of the University of California, nor any of their employees, makes any warranty, express or implied, or assumes any legal responsibility for the accuracy, completeness, or usefulness of any information, apparatus, product, or process disclosed, or represents that its use would not infringe privately owned rights. Reference herein to any specific commercial product, process, or service by its trade name, trademark, manufacturer, or otherwise, does not necessarily constitute or imply its endorsement, recommendation, or favoring by the United States Government or any agency thereof, or the Regents of the University of California. The views and opinions of authors expressed herein do not necessarily state or reflect those of the United States Government or any agency thereof or the Regents of the University of California.

PUB - 429

LBL COMPUTING NEWSLETTER

Volume 25, Number 1
January 1988

TABLE OF CONTENTS

NAMES & NUMBERS TO KNOW	2
Schedules for Computer Classes	3
LBLNET NEWS	4
LBLnet Activity Map - October 1988	5
LBLnet Overview - Block Diagram	6
DEPARTMENTAL MATTERS	7
More Information on File & Directory Protection	7
How to Delete Whole Directories in VMS	8
Focus News	8
Major Update for IMSL Libraries on the CSA Cluster	9
UNIX Update	10
Opportunity to Compute on an ELXSI 6400	10
News about Physics Utilities	11
LBL Dialin Rotor Phone Numbers	12
GRAPHICS NEWS	13
Polar Graphics	13
New Version of NCAR.....	13
POSTMASTER'S CORNER	14
THE WORKSTATION SCENE	16
INDEX OF COMPUTING NEWSLETTER TITLES & KEYWORDS	19

For Reference

Not to be taken from this room

RECEIVED
JAN 22 1988
Pub file
LBL LIBRARY

PUB - 429

JANUARY 1988

NAMES & NUMBERS TO KNOW

From on-site, dial <xxxx> From off-site, dial (415) 486-<xxxx> From FTS line, dial 451-<xxxx>

INFORMATION & COMPUTING SCIENCES DIVISION
Acting Head: Sandy Merola (AXMerola) 7440 50B - 2232C

COMPUTING AND COMMUNICATIONS RESOURCES
Head: Ken Wiley (KGWiley)7083 50B - 2258E
Office of Computing Resources:
 Dave Stevens (DFStevens).....7344 50B - 2258F
LBLnet Manager: Sig Rogers (SGRogers)....6713 50B - 2258G
Telephone Services: Sam Gibson (FSGibson).....4234 80A - 103

ADVANCED DEVELOPMENT PROJECTS
Head: Dennis Hall (DEHall).....6053....50B - 3238

WORKSTATION GROUP
Group Leader: Richard LaPierre (RLLaPierre)....4692....50B - 2245
 Software Evaluation & Acquisition6858 50B - 2231

COMPUTING SERVICES
Head: Marv Atchley (FMAatchley).....5455 50F - 104
Asst.Head: Serge Polevitzky (SIPolevitzky)....4389 50F - 142
 Central Office5871,2 50F - 106

VMS SYSTEM
 Eric Beals (ERBeals)5351 50F - 143
 System Manager (GPJohnson).....6211 50B - 1225

UNIX SYSTEM
 Dave Cleveland (DHCleveland).....5336 50F - 115
 System Manager (RJCochran).....5565 50F - 127

DISTRIBUTED PRINTING
 Bob Rendler (RERendler).....5629....50F - 119
 System Manager (RJCochran).....5565 50F - 127

USER RESOURCES
Jerry Borges (JTBorges)5568 50F - 144
 Accounting7008 50B - 1232A
 HELP DESK.....5981 50B - 1272
 Math Libraries.....4749 50F - 114
 Library/ Document Sales6919 50B - 1232C
 Opening a New Account (PSBean).....7008 50B - 1232B
 UNIX and Cluster
 Software Evaluation & Acquisition.....5568 50F - 144

COMPUTING FACILITIES
 Connecting a Remote Terminal (ACMills)...7444 50B - 2249A
 Graphics6945 50F - 126
 Network Coordinator (WDJaquith).....4388 50F - 109

COMPUTING FACILITIES (Continued)
 Operations Area.....6211 50B - 1215
 Develcon Problems & Terminal Repair
 (PGMurray).....5354 50B - 2259

COMPUTING APPLICATIONS
Applications Group
Head: Jerry Borges (JTBorges).....5568 50F - 144

CENTRAL ELECTRONIC MAIL FACILITY
FIRST INITIAL-MIDDLE INITIAL-LAST NAME is the standard recipient format in Lab-wide mailing address.
Examples: VMS: lbl::JASmith
 UNIX: JASmith@lbl.gov
 Software Tools: JASmith@lbl.gov

DEVELCON
DEVELCON Access Names
 [VAX 8650's (GENERIC).....CSA]
 VAX 8650 (VMS)CSA1
 VAX 8650 (VMS)CSA2
 VAX 8650 (VMS)CSA3
 VAX 8650 (VMS)CSA4
 VAX 8650 (VMS)CSA5

 SUN-3 / 280 (UNIX1)UX1
 SUN-3 / 180 (UNIX3)UX3

Dial-up Access Numbers
 All Machines - 300 BPS 486-4959
 All Machines - 1200 BPS 486-4979
 All Machines - 2400 BPS 486-4969

Local TYMNET Access Numbers for DEVELCON

	1200 bps	2400 bps
Oakland	430-2900	633-1896
Walnut Creek/Concord	935-0370	935-1507
San Francisco	974-1300	543-0691
Santa Clara	408-980-8100	986-0646
Palo Alto	415-366-1092	361-8701
Vallejo	707-644-1192	
Antioch	754-8222	
Fremont	490-7366	
Pleasanton	462-2101	

MFE Consulting Number is 422-1544

This document was prepared as an account of work sponsored by the United States Government. Neither the United States Government nor any agency thereof, nor The Regents of the University of California, nor any of their employees, makes any warranty, express or implied, or assumes any legal liability or responsibility for the accuracy, completeness, or usefulness of any information, apparatus, product, or process disclosed, or represents that its use would not infringe privately owned rights. Reference herein to any specific commercial products process, or service by its trade name, trademark, manufacturer, or otherwise, does not necessarily constitute or imply its endorsement, recommendation, or favoring by the United States Government or any agency thereof, or The Regents of the University of California. The views and opinions of authors expressed herein do not necessarily state or reflect those of the United States Government or any agency thereof or The Regents of the University of California and shall not be used for advertising or product endorsement purposes.

SCHEDULES FOR COMPUTER CLASSES

IN THE TRAINING ROOM, BLDG. 50B, RM. 1237

or

IN THE BUILDING 50F CONFERENCE ROOM

Jerry Borges

The following computer classes are to be offered by Computing Services. There is no charge for these classes. To enroll, obtain your supervisor's approval and then contact Pat Bean (x7008).

If you have questions about what's being offered, or suggestions for other computer-oriented topics, contact Jerry Borges (x5568).

DATE	TIME	DESCRIPTION	INSTRUCTOR
Jan 13, 15, 1988	12:30 - 4:30 PM	Introduction to VAX/VMS	Marty Gelbaum
Jan 14	11 AM - NOON	Electronic Mail: Introduction	William Jaquith
Jan 21	11 AM - NOON	Electronic Mail: Further Topics	William Jaquith

IN THE MAC TRAINING ROOM, BLDG. 50B, RM. 1229

Carole Casaretto

The following computer classes will be offered by the Workstation Group. There is no charge for these classes. To enroll, obtain your supervisor's approval and then contact Carole Casaretto, (x6858). Those classes with asterisks (*) appended are already full.

Call **now** to sign up for classes later in the year. For more information, see **THE WORKSTATION SCENE** in this Newsletter. If you have any questions regarding these classes or suggestions for other computer-oriented topics, contact Richard LaPierre (x4692).

DATE	TIME	DESCRIPTION	INSTRUCTORS
Jan 11, 13, 15, 1988	1 - 3 PM 3 - 5 PM	Beginning Excel Spreadsheet*	Nancy Travis, Marnie Case-Fortier Claudia Madison, Dana Conant
Jan 12, 14, 19, 21	1 - 2:30 PM 3:00 - 4:30 PM	Beginning MS WORD 3.01*	Karla Savage, A. Soulsburg Claudia Madison, Jean Wolslegel
Jan 13	10 AM - 11 AM	Introduction to HyperCard	Bill Brown
Feb 8, 10, 12	1 - 3 PM 3 - 5 PM	Beginning Excel Spreadsheet	Nancy Travis Claudia Madison, Dana Conant
Feb 10	10 AM - NOON	Using Your MAC as a Terminal	Cliff Stoll
Feb 16, 18, 23, 25	1 - 2:30 PM 3:00 - 4:30 PM	Beginning MS WORD 3.01*	Karla Savage, Carole Casaretto Claudia Madison, Jean Wolslegel
Mar 22, 24, 29, 31	1 - 2:30 PM 3:00 - 4:30 PM	Beginning MS WORD 3.01	Karla Savage, A. Soulsburg Claudia Madison, Jean Wolslegel

*

LBLNET NEWS

Bob Fink
Sig Rogers

LBLnet Activity

Building 58 has been added to the LBLnet Overview diagram, included here for your information. Building 58 has actually been served for quite a while as part of 46LAN but in a way not suitable for expansion. Now there is the capability to fully support both ThinWire and regular Ethernet to all of Building 58.

LBLnet Problem Mail

There is now an LBLnet problem reporting email address that will guarantee that your comments are seen by the appropriate LBLnet staff. This is intended for those problems that are not urgent but that should be investigated. Many may not be LBLnet problems but rather observations that you think should be known to LBLnet. This will help us be more aware of what you see when you use LBLnet.

Just address all comments you may have to:
lbnnet@lbl

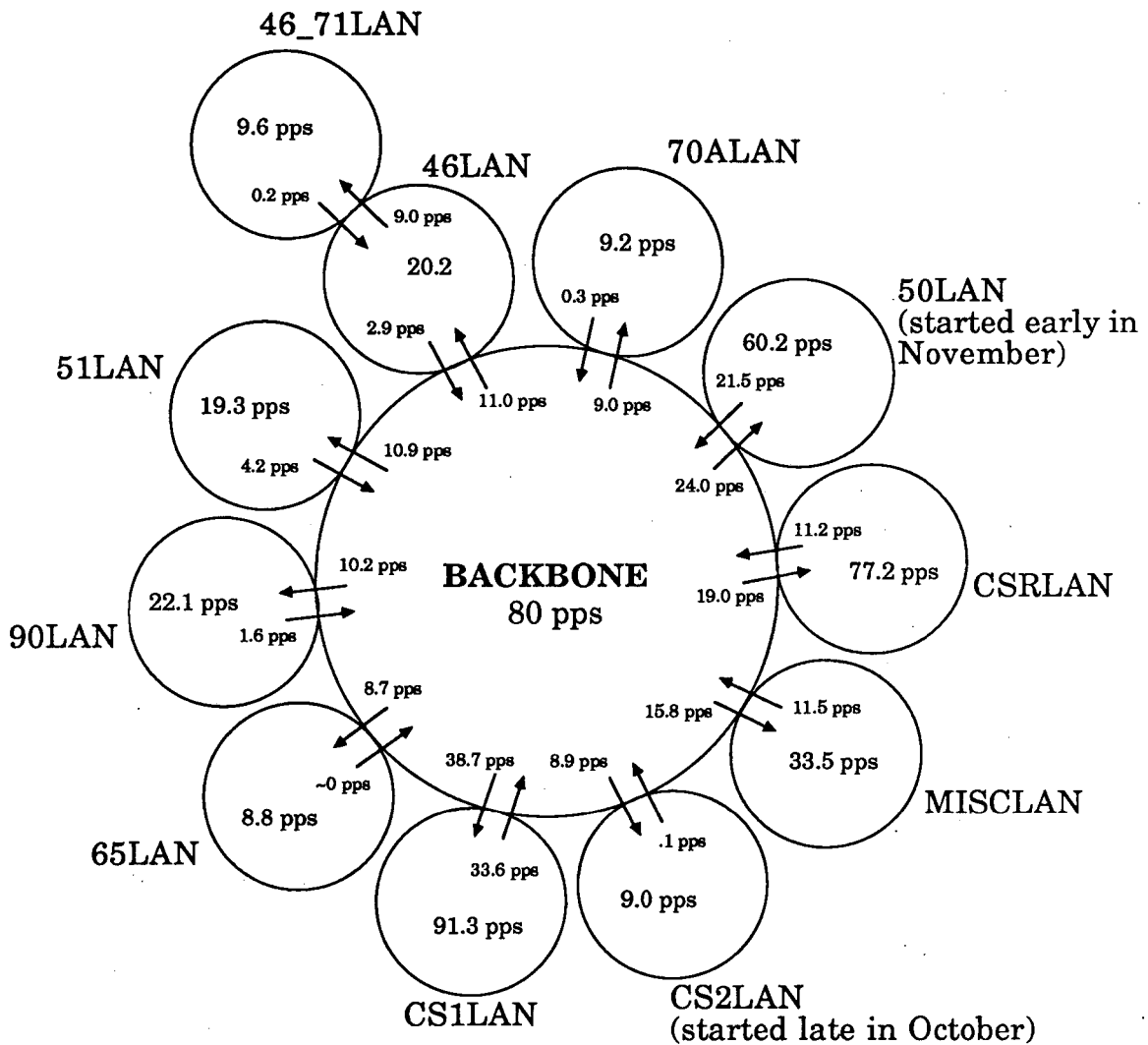
Please note that this is NOT the way to deal with urgent problems, such as LBLnet hardware failures that are stopping your work. Please use the existing trouble call procedures for LBLnet for these.

LBLnet trouble calls: ext 5354.

LBLnet Notification List

LBLnet staff maintains a list of email addresses that are notified of significant LBLnet events, e.g., a scheduled LBLnet interruptions of service. If you would like to be added to this list, please call Ted Sopher (x5354) or Sig Rogers (x6713) or send email with your name, address, phone number and email address to LBLnet@lbl.

Forward comments or queries to Bob Fink (x5692) or Sig Rogers (x6713).



pps = packets per second; all figures are monthly averages

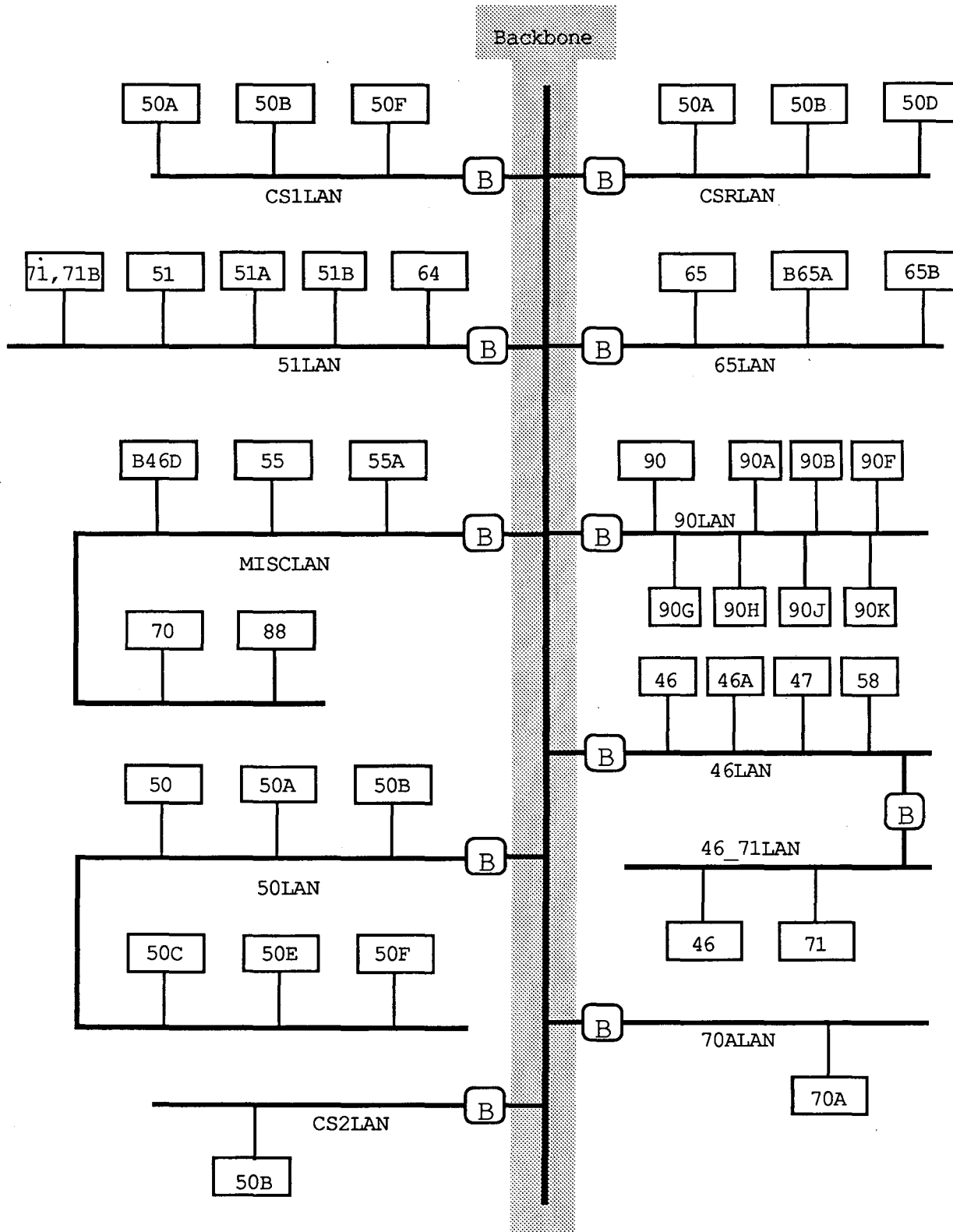
arrows represent packet flow through a LanBridge from one LAN to another

Note: Each ellipse shown above is a separate Ethernet that is interconnected to the others via Digital LanBridge-100 devices that provide forwarding of packets based on a learning algorithm that minimizes traffic between networks to those packets addressed to computers on another Ethernet.

LBLnet Activity November 1987

ICSD/CCR

Fink/Rogers



(B) DEC LAN Bridge 100

Lawrence Berkeley Laboratory - LBLnet
Overview - Block Diagram
 Ted Sopher / OCR
 December 8, 1987

MORE INFORMATION ON FILE AND DIRECTORY PROTECTION

Marty Gelbaum

As announced in the December LBL Computing Newsletter, the Computing Center will make the default protections for *new files* more secure starting January 11, 1988.

CSA CLUSTER

The default protection on the CSA cluster for new files will be

```
OWNER: READ, WRITE, EXECUTE, and DELETE
      (No change)
SYSTEM: READ, WRITE, EXECUTE, and DELETE
      (No change)
GROUP and WORLD: NO ACCESS
      (Currently, read and execute)
```

Again, you may change this setting to whatever you choose by using the DCL command SET PROTECTION. For example, if you put this command in your login.com:

```
$ SET PROTECTION=(GROUP:RE,
WORLD:RE)/DEFAULT
```

your new files will get the same protection that they currently do. For details, please read Chapter 7 of the VAX/VMS DCL Concepts Manual, especially section 7.1 through 7.6.

Note that if you wish to protect a file completely, you must also appropriately protect *both* the file itself and the directory in which it resides. In this regard, please note that these default protections for new files *do not* apply to the DIRECTORIES you create. The default protection for NEW directories is essentially the protection of directory at the next-higher-level. (See the VAX/VMS DCL Dictionary, page 78.) Therefore, if you wish to DENY group and

world access to a new directory of your current directory, called NEWDIR, you can use the command

```
CREATE/DIRECTORY/PROTECTION=
(GROUP,WORLD) [NEWDIR]
```

Note that EXECUTE permission for directories gives the right to look up files by NAME; wild card searches are *not* allowed. READ access to directories allows wild card searches and implies EXECUTE access.

UNIX

On the Computing Center UNIX systems, the default protection is set by the command "umask". The new default protection will be set by the command

```
UMASK 77
```

in your .login and .cshrc files.

Note that, on the UNIX systems, the protection set by umask *does* apply to the directories you make. The command

```
UMASK 22
```

in your .login and .cshrc files sets the default protection to the state it has today, that is, where any user can read your files. EXECUTE access for directories gives the right to search the directory and is shown by an "x" when you use the command.

```
ls -ld directory-name
```

where "directory-name" is the name of a directory.

For details, please see the UNIX on-line help article "Permissions" and the manual pages for *chmod*, *ls*, and *mask*.

Forward questions or comments to Marty Gelbaum (x4749), or

```
VMS Mail:    lbl::M_Gelbaum
```

```
UNIX or
```

```
Software Tools Mail:  M_Gelbaum@lbl.gov
```

HOW TO DELETE WHOLE DIRECTORIES IN VMS

Marty Gelbaum

Sometimes users wish to delete all the files in one of their subdirectories, as well as that subdirectory itself. VMS (and UNIX) will not allow you to delete one of your directories if the directory still contains files. Therefore, the first step is to delete all the files in the directory; of course, such a drastic step should follow a careful examination of the files in question, since recovery of files from backups is neither instant nor free. Further, if you are using a NEVER_BACKUP disk, your files have *never* been backed up (written to magnetic tape) by the system!

At any rate, to delete all the files in a subdirectory named OUTDATED.DIR, first set default to OUTDATED.DIR. Make sure you are in the correct directory by the DCL command

```
SHOW DEFAULT
```

Then, use the following DCL command to ensure you can delete all the files there:

```
SET PROTECTION=O:RWED *.*.*
```

This step is worthwhile because sometimes we inadvertently remove "DELETE" access from some of our own files. As you can imagine, such a policy can be helpful if you have a very valuable file.

After having given yourself the permission to delete all your files in OUTDATED.DIR, delete these files by

```
DELETE *.*.*
```

Barring errors, which should have been reported by the system, this command will delete all the files in OUTDATED.DIR. Then, set default to the directory *immediately above* OUTDATED.DIR by the command

```
SET DEFAULT [-]
```

Then, use this DCL command to give yourself DELETE access to OUTDATED.DIR:

```
SET PROTECTION=O:RWED OUTDATED.DIR
```

Then, delete OUTDATED.DIR (which was emptied by the previous DELETE command) by typing

```
DELETE OUTDATED.DIR;
```

The semi-colon (;) at the very end of the command is necessary; if you omit it, the DELETE command won't delete the directory and will complain that it requires an explicit version number or wild card.

Forward questions or comments to Marty Gelbaum (x4749), or

VMS Mail: lbl::M_Gelbaum

UNIX or

Software Tools Mail: M_Gelbaum@lbl.gov

FOCUS NEWS

Bert Albrecht

The next Focus Users Group meeting will be held on January 12, 1988 from 1:00-4:00pm in the Training Room (Bldg. 50B, Rm. 1237). The last meeting was a full house, so plan to attend and share some experiences and/or grief with the rest of the user community at LBL.

Topics to be covered at this meeting are:

- a method of going from VAX Focus to Microsoft Excel
- a report on the new VAX release

A consultant from IBI will give us a demonstration of WINDOWS on the VAX to show us how to build and use windows in your VAX Focus application. Windows are an exciting new feature. Everyone who has used them in the PC environment likes them, so come and see what all the fuss is about.

MAJOR UPDATE FOR IMSL LIBRARIES ON THE CSA CLUSTER

Marty Gelbaum

In a major revision, the IMSL Library has evolved into three new and improved libraries: MATH/LIBRARY Version 1.0 (general applied mathematics), STAT/LIBRARY Version 1.0 (statistics), and SFUN/LIBRARY Version 2.0 (special functions). Collectively, these 3 products will be referred to as Version 10.0 of IMSL. These 3 libraries are combined on the CSA cluster, and we plan to replace the current Version 9.2 of IMSL by February 9, 1988.

The Version 10.0 library contains virtually all of the abilities of the former IMSL Library, Edition 9.2, plus many more. Major enhancements have been made in many areas of numerical mathematics. Most statistical analysis subprograms now handle missing values, allow printing of results, and implement advances in algorithms. The documentation is much clearer and more thorough.

Ease of use is a major design objective of the new IMSL Libraries. Each component of the user interface has been considered. Errors are handled unobtrusively; there is no 'error parameter' in the argument list. Instead, the subprograms print informative messages when errors occur. Also, workspace is now allocated out of a common area; you no longer need to set up work arrays in a dimension statement.

USAGE

The first point to note is that the Version 10.0 library uses a NEW SUBPROGRAM NAMING convention; thus, in general, you will have to CHANGE the FORTRAN calling sequences for the IMSL routines. You are encouraged to get a copy of a list of the correspondences between the current, Version 9.2 routine names and the new, Version 10.0 routines from the Computing Center Library or the Help Desk.

Secondly, although Version 10.0 IMSL library routines are generally easier to use than those in Edition 9.2, certain changes may be necessary in the user's programs. For example, while many Edition 9.2 routines required that symmetric matrices be packed into a single-dimension FORTRAN array, the new library routines use symmetric matrices stored as two-dimensional arrays. New user programs will be easier to write, but old programs should eventually be modified to use symmetric matrices in the simpler form.

Thirdly, IMSL provides a "Library Interface" by which you may call the IMSL Version 10.0 routines with the 9.2 calling sequences. The "Library Interface", by its very nature, must sacrifice efficiency in order to achieve a one-to-one relationship with the Edition 9.2 routines. In some cases, this loss in efficiency may be substantial, and users are encouraged to convert completely to the new Version 10.0 library routines as soon as possible.

LINKING

Before using version 10.0 of IMSL, *including* the "Library Interface", you need to define the appropriate symbols by the DCL command

```
@IMSLDEFS
```

This line may be added to your login.com, as in the following

```
$ @IMSLDEFS
```

Then, link your Fortran object code with the new library by

```
LINK PROG, 'IMSL'
```

The LINK command is the *same* for both single and double precision versions of the library.

To link with the Library Interface, which allows you to call the Version 10.0 routines by the Version 9.2 calling sequence, use

```
LINK PROG, 'OLDIMSL_S' (single precision)
LINK PROG, 'OLDIMSL_D' (double precision)
```

Again, the symbols OLDIMSL_S and OLDIMSL_D are defined by the command

```
@IMSLDEFS
```

We plan to phase out the "Library Interface" in the next 6 months.

Note that the current method to link IMSL routines using the logical names SYS_IMSLS and SYS_IMSLD, will *not* be available after February 11, 1988. Any programs that were linked with the old library will continue to run; if they have to be re-linked, you will have to use the new, Version 10.0 library.

Forward questions or comments to Marty Gelbaum (x4749), or

VMS Mail: lbl::M_Gelbaum

UNIX or

Software Tools Mail: M_Gelbaum@lbl.gov

OPPORTUNITY TO COMPUTE ON AN ELXSI 6400

... from Deborah Hopkins, Applied Science Division

The Simulation Research Group (SRG) in the Applied Sciences Division (ASD) purchased an ELXSI 6400 2-1/2 years ago. The machine is currently configured as a single CPU, 64-bit, 16-Mbyte system running two operating systems simultaneously: EMBOS (ELXSI's proprietary operating system) and Bell Labs System V UNIX with CSH capabilities.

ASD has asked the Central Computing Facility to consider taking over management of the machine, and an attempt is being made to identify users who would be interested in computing on the ELXSI. ASD projects sufficient use of the machine so that computing costs should be attractive. Users who want to compute on the ELXSI would have to increase their computing commitments with the Computer Center accordingly. SRG has found that FORTRAN code running under VMS runs on the ELXSI with little or no modification, and the machine has a double precision installation of the NAG Mathematical Software Library. Other software available on the ELXSI includes the following:

- BSD 4.2 UNIX
- EMS (a VMS emulator)
- INGRES database management system
- the Vector Processing Unit (automatic vectorization of FORTRAN programs)
- ORACLE database management system
- FORTRAN, C, C++, Ada and Pascal compilers.

File transfer between cluster machines and the ELXSI is most easily accomplished using FTP.

For more information, contact Deborah Hopkins (Bldg. 90, Rm. 3147, x4922) or mail to:

UNIX or
Software Tools Mail: DLHopkins@lbl.arpa

UNIX UPDATE

Dave Cleveland

UX1 and UX3, two Sun UNIX systems, are now providing service to interactive users.

Both UX1 and UX3 offer quick response for interactive computing, and UX1 offers excellent turnaround for batch computing.

Users need a login only on UX1 to log in to either UX1 or UX3. Their files are always accessible from either machine.

All of the modern features of the Sun UNIX programming environment are available, as well as additional software which supports Fortran computation and text processing. Software implementations include Franx Lisp, Macsyma, IMSL and NAG libraries, EMACS, and all of the commands to print on the Imagen and Apple laser printers.

Additional features are being added daily to both UX1 and UX3, and announcements will be made each month in the Computing Newsletter.

Forward comments or questions to Dave Cleveland (x5336), or

VMS Mail: lbl::DHCleveland

UNIX or
Software Tools Mail: DHCleveland@lbl.gov

NEWS ABOUT PHYSICS UTILITIES

... from Werner Koellner, Physics Division

(1) Access to Physics Utilities and associated Logical Names

Add the following statement to your login.com file:

```
$ @Physics$Manager:Setup_Phys
```

(2) CERN Library News

Several new versions of CERN Libraries have been released in CERN\$LIBRARY. They are:

- GEANT311.OLB test release of Geant Version 3.11/07
- GEANTGDI.OLB test release of Geant Version 3.11/07 (with DI3000 Graphics Interface)
- GHEISHA7.OLB callable Version 7.03/04
- JETSET.OLB Lund Monte Carlo for Jet Fragmentation
- KERNLIB.OLB new versions of KERNNUM, and KERNVAX
- LEPTO.OLB Lund Monte Carlo
- LUCIFER.OLB Lund Monte Carlo for High-PT Photo Production
- PACKLIB.OLB includes ZEBRA Version 3.55
- ZEBRA.OLB Version 3.55

For additional information, first execute

```
$ @Physics$Manager:Setup_Phys
```

then type

```
HELP CERN LIBRARY_CONTENTS
```

or check the directory CERN\$INFORM for information or available documentation.

(3) GEANT User Manual

A copy of the GEANT User Manual may be available from the Computer Center Librarian. A set of update pages (Version 3.11) for the GEANT manual is now available as well.

(4) Stale CERN Libraries

Newer, non-released versions of some Monte Carlo libraries may be available, e.g.

- PYTHIA.OLB see ==>
 Lb1161:[SSCLIB.PYTHIA]PYTHIA.OLB
- ISAJET.OLB see ==>
 Lb1127:[PAIGE.ISAJET]ISAJET.OLB

For additional info check with Ed Wang, LBL Physics, ext. 4397.

(5) SPICE Circuit Simulation

SPICE, a general-purpose circuit simulation program, is available on the CSA cluster as part of the Physics_Utilities. It is not actively maintained. First execute

```
$ @Physics$Manager:Setup_Phys
```

then type

```
HELP SPICE
```

for information.

LBL DIALIN ROTOR PHONE NUMBERS

William Jaquith

The following is a partial list of dialin modem phone numbers for Computing Services at Lawrence Berkeley Laboratory. These numbers are all part of a rotor phone service. People in the 486 phone exchange and people for whom the 486 exchange is a local call should use this dialin service. This service costs LBL the least in phone charges.

People outside of the local phone exchange probably should be using the Tymnet facilities. This includes people for whom a call to the 486 exchange is a toll call. Information about Tymnet is available on the CSA cluster in VMS HELP, topic 'Tymnet'.

LBL Dialin Rotor Phone Numbers

1200 Baud Dialin Phone Numbers
486-4979 486-4966

2400 Baud Dialin Phone Numbers
486-4969 486-6518

300 Baud Dialin Phone Numbers
486-4959 486-4962

Recall that a rotor is an automatic phone switching device which allows you to dial to a single number,

e.g. 486-4979. The rotor will connect you to the first number that is not busy, thus saving you the trouble of dialing several numbers to get one that is not busy. The nature of a rotor is to work down a list in a specified order. The numbers provided here are the first and a middle number in the 1200, 2400, and 300 baud dialin rotors at LBL.

Occasionally, one of the early numbers in the rotor does not answer correctly. In the case that you cannot get in, you can try calling the other number on the above list. That number, if not busy, will allow you into Develcon.

Please send mail to SYSTEM or TROUBLE informing us of your problem. The information that we would like to receive is the time of the problem and whatever error message was written to your terminal. This information helps to isolate the affected modem or line.

Also remember to keep this list with your modem because you will not be able to login to find this information when the rotor is not working correctly!

Mail questions or comments to NETWORKS at LBL.

VMS Mail: `lbl::networks`

UNIX or

Software Tools Mail: `networks@lbl.gov`

GRAPHICS NEWS

POLAR GRAPHICS

Nancy Johnston

A set of polar graphics routines that work in conjunction with GKS will be available on CSA2 starting January 11, 1988. Reference grids can be produced in r and θ with reversed or normal axis labeling. Labels can be produced in integer, real, or E format. Also, line, marker and text polar routines will be available.

These routines will be available on CSA2 and can also run under UNIX. They will be available on UX1 as soon as a GKS package is purchased.

For more information, type the following on CSA2:

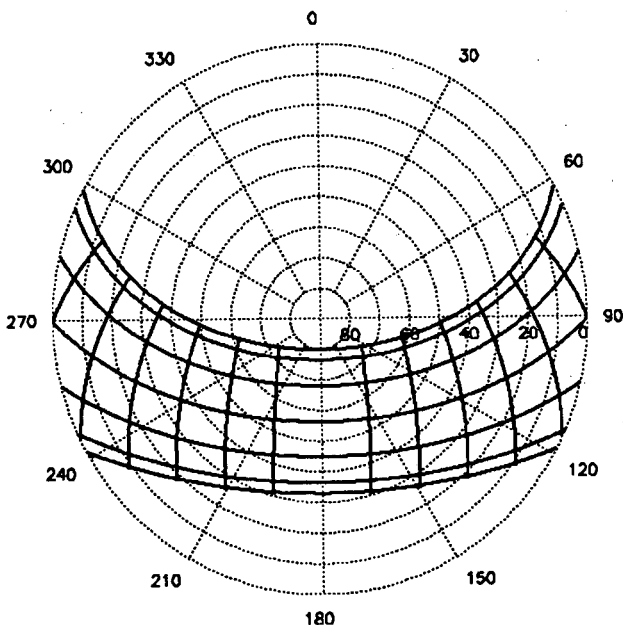
HELP GRAPHICS POLAR

The sample pictures below demonstrate some of the capabilities of these routines.

Forward comments and questions to Nancy Johnston (x5093), or

VMS Mail: ibl::NEJohnston

UNIX or
Software Tools Mail: NEJohnston@lbl.gov



NEW VERSION OF NCAR

Nancy Johnston

A new version of NCAR (Version 2.0) will be available on CSA2 on January 11, 1988. The new version includes bug fixes and an area fill enhancement to the geographic mapping routines. You can now draw a map and fill in the various boundaries with color.

Along with the new NCAR version, there is a new manual set. The manual has been split into two volumes: the first discusses Autograph (the automatic line drawing routines); the other contains the rest of the utilities (contouring, histograms, vector flow fields, etc.). See the October Computing Newsletter for more information or type

HELP GRAPHICS NCAR

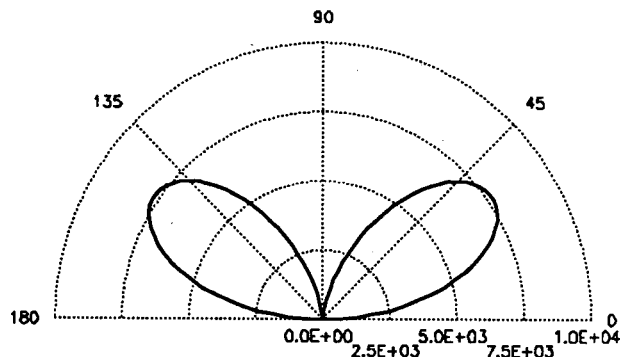
on the VAX cluster.

To get a copy of the new manuals, contact the Computing Library, Bldg. 50B, Rm. 1232B (x4242).

Forward comments and questions to Nancy Johnston (x5093), or

VMS Mail: ibl::NEJohnston

UNIX or
Software Tools Mail: NEJohnston@lbl.gov



POSTMASTER'S CORNER

William Jaquith

This is the Postmaster's Corner. We'll answer frequently-asked Electronic Mail questions here.

You can also get answers to your Electronic Mail questions by sending them to Postmaster or PostOffice on the CSA cluster.

There will be two Electronic Mail classes in January. (See Page 3 of this Newsletter.) The first will be an Introductory class. The second will be for users who can send and receive mail and who would like to know more about network addresses, how to use editors with mail, how to create distribution lists, how to use folders, and other related subjects.

QUESTION:

While reading mail I sometimes want to check on some information that is in a file in my directory. Is it possible to temporarily leave the mail utility to check this file?

ANSWER:

Each mail system provides a mechanism for users to temporarily leave the mail and find some information or issue some commands.

*** VMS Mail:** use the 'spawn' command to issue DCL commands or to temporarily leave the MAIL Utility by creating a subprocess. In the subprocess you can issue valid DCL commands. You can read files, use HELP, use PHONE, or any of the normal DCL commands that you are familiar with. If you are in a subprocess, issue the command 'logout' to return to the MAIL Utility.

```
MAIL> spawn type mung_numbers.for
*   Program Mung_number...
MAIL>
MAIL> spawn
CSA> directory/date
...
CSA> logout
MAIL>
```

*** MSG Software Tools Mail:** use the 'j' Jump command

to move to the shell (the DCL command level). You can issue all normal DCL commands. Use the command 'logout' to return to the MSG mail utility.

```
<- j ump into shell
CSA> type get_total.c
CSA> help mail_local
CSA> logout
CSA> Process ...
<- ...
```

*** UNIX Mail:** use the '!' escape to issue commands to the UNIX shell. All normal shell commands are available to you.

QUESTION:

I have gotten an account on the new UNIX computer UX1. What is my mail address on UX1?

ANSWER:

The official name of UX1 is UX1.LBL.GOV (i.e. computer UX1 in the domain LBL in the domain GOVERNment). From Internet/Milnet/ARPA, sites mail is addressed to userid@ux1.lbl.gov, e.g.

```
tomj@ux1.lbl.gov
```

Within LBL, i.e. LBL.GOV, the computer is also known as UX1. Locally mail can be sent to:

```
tomj@ux1
```

People who are using the LBL Central Electronic Mail database can give their address at lbl.gov and have mail forwarded to UX1. For example, if Tom Jamison were registered in the Central Mail database and had account tomj on UX1, then:

```
TRJamison@lbl.gov
```

would forward to tomj on UX1. You must request to be enrolled in this database. Send mail to REGISTRAR at LBL.GOV for assistance.

QUESTION:

I cannot seem to get rid of mail that I have already read. Every time I login and look at my mail, I see the same "new" messages. Why?

ANSWER:

If you are using Software Tools MSG, the problem likely comes because you are leaving MSG with the 'q' Quit command instead of the 'e' Exit command.

Quit and Exit have different meanings on each of the mail systems. I will highlight the differences here. In VMS Mail, once you have looked at a message, the message is marked as read (except sometimes VMS MAIL loses count - use the read/new to reset the counter - see the October Computing Services Newsletter).

* **MSG Software Tools:** 'e' Exit is normally the command that you want to use to leave the MSG Utility. Exit leaves the MSG Utility and Deletes files marked for deletion and marks messages that have been read.

The 'q' Quit command leaves the MSG Utility, but *does not* Delete files marked for deletion and *does not* mark messages that have been read. This means when next you use MSG, those messages that you read last time will still be marked as NEW! Typically, you do not want to leave MSG using the Quit command. On occasion you may have deleted some messages and then changed your mind about wanting them deleted; in this case you can use the Quit command to not have the messages deleted. Note that there also is a 'u' Undelete command.

* **VMS Mail:** the distinction between Quit and Exit has to do with a folder called Wastebasket. In VMS MAIL when you 'delete' a message, the message is actually moved to a folder/file called 'Wastebasket'. You can issue the command 'read wastebasket' (or select wastebasket). This will move you to the Wastebasket folder where can still find a 'deleted' message for a period of time. The 'deleted' file will continue to be located in Wastebasket until you leave MAIL with the command 'e' Exit. The 'deleted' mail message will now truly be deleted. The command 'purge' will also leave the MAIL and delete all messages in the Wastebasket.

The 'q' Quit command leaves MAIL but *does not* delete the messages that are in the Wastebasket. This is a useful command for people who sometimes are looking for an old MAIL message; if the message is in Wastebasket, you can retrieve, print and move the message to your file space. Note that if you use the Quit command in preference to Exit, you should use the Purge (or Exit) command periodically to clean up your Wastebasket.

* **UNIX Mail:** the two ways to leave UNIX Mail are 'q' Quit and 'x' eXit.

The 'q' Quit command leaves UNIX Mail deleting messages marked for deletion and marking messages that have been read. This is normally the command you issue to leave the Mail Utility.

The 'x' eXit command leaves UNIX Mail without deleting any messages and without marking messages that have been read. When you next issue the mail command, you will find all the messages there and no change in the 'new' or unread status of the messages.

NOTE on last month's Postmaster Corner:

On the question about reading new mail while still in the MAIL Utility on VMS, I suggested the 'select new' command. This command works, but an easier to remember and use command is 'read/new'. The commands READ and SELECT are similar; refer to on-line HELP for additional information.

For Bitnet mail users: the gateway at WISCVM.ARPA was officially turned off December 15, 1987. The LBL computer provides the same capabilities and is the suggested path. Note that you must include the mail domain, *.bitnet*, to send mail to all valid Bitnet sites, e.g.

davidj@ucbcmcsa.bitnet

This will send mail to the Bitnet node UCBMCSA. To send mail to the Bitnet from VMS Mail, you can use the address:

st%"davidj@ucbcmcsa.bitnet"

For people who wish to use the Jnet mailer that is available on CSA2, the address:

jnet%"davidj@ucbcmcsa.bitnet"

Recall that Jnet is only available on CSA2. The bitnet mail domain is optional when using the jnet% protocol. The st% protocol is available on all CSA cluster computers.

... Hermes - Postmaster

Forward comments or queries to William Jaquith (x4388), or

VMS Mail: lbl::Registrar

UNIX or

Software Tools Mail: Registrar@LBL.GOV

THE WORKSTATION SCENE

[25.1.1].....

• WORDPERFECT 4.2 INTERIM UPDATE

An interim update of WordPerfect 4.2 for IBM PCs has just been released which offers significantly faster cursor positioning. Benchmark tests with the earlier version show greater speed with the following movements:

- top to bottom/bottom to top
- search not found/return from search
- replace words
- table of contents generation/index.

Other changes have corrected parallel columns/protected text errors, speller bugs, and conflicts using keywords. Minor changes were made in the learn disk, and the thesaurus, and additional printers were added to the printer disks.

Note that this is still WP 4.2, *not a new version*. This is the last expected update of 4.2 before the release of the next major revision, WP 5.0, which is expected in February 1988.

If you are a registered owner of WP 4.2 (or an earlier version) and would like to use this interim update, bring six blank floppy disks and your "original" WP 4.2 disks to the Workstation Lab (Bldg. 50B, Rm. 2231 - x6858).

[25.1.2].....

• MULTIFINDER APPLICATION COMPATIBILITY

With the introduction of Apple's System 5.0 and Multifinder, life in the Mac world is a bit more complicated. Presently, software application makers are scurrying to make their programs compatible with Multifinder. The trade publications are full of such news.

Your Workstation Lab fields such compatibility questions every day. In the past months, articles in the Newsletter have addressed this problem. The future looks brighter, but it's going to take time. At a recent BMUG meeting, John Dvorak (columnist in the San Francisco Chronicle and contributor to many computer publications) stated, "I don't buy computer hardware til it's a year old, and software til it has three revisions". Probably sound advice, but most of us don't have that luxury.

Many software companies have announced upgrades which will be compatible with Multifinder.

Microsoft has new versions of Word and Excel coming soon. MacDraft 1.2B has just been released, and Powerpoint will issue Version 1.1 very soon. Look for many other upgrades and new products at the MacWorld Expo/San Francisco, January 15-17.

[25.1.3].....

• VERSATERM USERS - 3.1 UPGRADE

The Workstation Lab now has the 3.1 upgrade for the communications program VersaTerm, and the 2.1 upgrade for VersaTerm-PRO. Registered users should bring their original disks to the Workstation Lab (Bldg. 50B, Rm. 2231) for updating to the new versions at no charge.

There are lots of new features, and some bug fixes in the new upgrade. A few of the many additions include:

- VersaTerm now has multitasking features when used with the MultiFinder. Terminal sessions, file transfers and printing may all be executed in the background. Operation is simple: when performing any of these tasks, simply click on another layer's window and VersaTerm will continue to work in the background.
- Kermit now supports "Long Packets", 1024 bytes in length, and parameters are now "tagged" to each Phone entry.
- Create a personalized startup dialog, Pop-Up menu user commands are now supported.
- A "Find" command has been added to the Edit Menu. And there is text translation for customized text filtering and foreign character translation.
- The DEC VT100 and DG D200 Text Attributes may be remapped by the user, as well as specifying a color to each attribute.

[25.1.4].....

• GRAPHICS NUMERICAL PACKAGE FOR THE MACINTOSH

... from Peggy McMahn, Accelerator & Fusion Research Division

Passage is an X, Y Graphics and Numerical Analysis Program for the Macintosh Plus, SE and II. I would like to recommend this program for anyone involved with scientific graphics and numerical analysis. It is written and marketed by a couple of physicists and is

well-documented and seems to be relatively bug-free. List price is \$200.00.

After using it for several months, I find it vastly superior to Cricket Graph in what it can do, how easy it is to use, and the quality of the output. In fact, I have moved much of my simpler data analysis and all my graphics from the CSA cluster to the Mac SE using this program. Although there are some inconvenient features, most will be addressed in a new upgraded version which is now available.

Information on *Passage*, as well as samples of publication quality plots produced on a Apple Laserwriter, are available in the Workstation Lab (Bldg. 50B, Rm 2231). I would be happy to demonstrate *Passage* to anyone interested in this program (x6471).

[25.1.5].....

• **VERSACAD/MACINTOSH**

Versacad Corporation will ship a new Macintosh Edition of its popular *VersaCAD 2D* drafting software in the 1st quarter of 1988. This first release is strictly a 2D drafting program with some form of 3D and programmability expected later in 1988. In general, the first release will have the same features as *VersaCAD 2D* under MS-DOS. It will include Initial Graphics Exchange Specification (IGES) and VLINK with normal links through the Macintosh clipboard. Desktop accessories such as scientific calculators are also supported. DXF and PICT file support may come after the initial release.

In release 1.0, the Apple LaserWriter and Image-Writer will be supported through QuickDraw, and PostScript will also be supported. Plotter drivers for HP and HI plotters will be supported in the first release. Other plotters are supported through the MS-DOS off-line plotting, and a file translation utility will be available on request.

Some of the features include:

- Floating-point precision guarantees 16-decimal-place accuracy
- Interactive drawing and editing show you exactly what you're doing at all times
- Sophisticated object grouping allows collective editing of drawing parts in virtually any combination
- Powerful symbol libraries rapidly increase your productivity - any drawing part can be quickly added to a library for visual selection or modification

- Built-in drawing objects, including French curves, ellipses and multiple parallel lines
- Five independent snap modes to insure precise object placement
- Full technical telephone support.

Currently, a Stage III Beta release under the Vanguard Program is available for \$1995. The final production version will be available at the end of January, 1988. First buyers will be automatically enrolled in the Software Support and Update Program for 1 year. They will receive 800-number telephone technical support and all new program releases during 1988.

Release 1.0 for the Macintosh II will be in color. The Workstation Lab currently has a demo disk for the Macintosh SE that will give a guided tour of the program's capabilities. The demo is available from the Workstation Lab (Bldg. 50B, Rm. 2231), bring a blank, formatted floppy for a copy. For additional information, contact Workstation member Bruce Burkhart (x6858).

[25.1.6].....

• **A BASKETFUL OF MAC SOFTWARE.**

Claudia Madison

- 1) *PowerPoint*, from Microsoft. List price \$395; \$249 mail order or Lab Discount

PowerPoint, a presentation manager, seems to do little that a drawing program plus a word processing program would not do. One of my pet peeves is expensive software for esoteric purposes so why do I think this is the niftiest program I've ever seen for the Mac?

When *PowerPoint* calls itself a presentation manager, it means just that. Once I design a basic format (or use one of the templates provided), I've designed the entire presentation: slides and/or overheads, notes pages, and handouts. My snazzy border and logo appear on every page. Re-shuffling a slide or notes page re-shuffles the whole presentation, which makes organizing a talk--and making last-minute changes--a snap. At least in my case, this helps keep my viewgraphs looking good and my thoughts in something resembling coherent order.

Useful features:

- Creation of text blocks on the same slide or page with independent alignment and ruler

features, making possible centering of one block of text, left alignment of another, etc.

- Font menus allow call-out of fonts with a simple command plus number key combination.
- Few drawing tools--lines, arrows, circles, squares--but sufficient for the less graphically inclined of us. (Fancier graphics, text and so forth can be imported in standard Mac way.)

The Workstation group has a copy of PowerPoint for loan.

- 2) *Parameter Manager Plus*, from Rebus Development Corp. List price \$495.

Speaking of esoteric programs, this one bills itself as technical spreadsheet. For starters it can plot 32K data points/graph (compared to Excel's 100/series). It is designed as a heavy-duty data analysis tool for time-based data acquisition/forecasting applications.

A measurement, or Item, defined in *PM+* can have up to 64 different variables, Parameters, which can be analyzed independently or grouped into subsets. Statistics and graphics analysis tools abound, and there are features to create results worksheets and notebooks and to import data from other software, and, with an optional communications package, to integrate data directly from automatic data acquisition systems.

The Workstation group has a demo disk and tutorial.

- 3) *dBASE Mac*, from Ashton-Tate. Price \$299-350 mail order.

dBASE Mac has finally appeared, but for those hoping for a familiar face (or dot prompt) on the Mac, things look pretty bad. *dBASE Mac* looks nothing like its PC parent, *dBASEII/III/III+*; it will import data from PC *dBASE* files, but it will not import *dBASE* program files.

The Workstation group has a promo/demo, full of sound and action but not too informative (except, perhaps, to give PC *dBASE* users a peek of how the old war horse looks on the Mac). The program is reviewed in the January 1988 issue of *MacUser*

INDEX OF COMPUTING NEWSLETTER TITLES & KEYWORDS

JANUARY 1987 to DECEMBER 1987

TITLES/ KEYWORDS	MO/ YR	VOL/ NO	PG
DEPARTMENTAL MATTERS			
(New) Apple Macintosh Computers (SE, II)	4/87	24/4	12
Backup Policy, Computing Services VMS Disk	6/87	24/6	11
Blue Boxes, Call for Unused	8/87	24/8	7
Checking the Cluster Load: An Update	11/87	24/11	13
Class Schedule, Computer	ALL	24/1	3
Cluster Load, Checking the	5/87	24/5	7
CMS [One of] DEC's Great New Tools	4/87	24/4	7
Databases at the (Main) Library (Backus)	4/87	24/4	6
<i>MICROCOMPUTER INDEX, COMPUTER DATABASE, MENU - INTERNATIONAL</i>			
(Managing) DEVELCON Problems	10/87	24/10	11
(More About) DEVELCON	11/87	24/11	10
DICOMED Use Charges, No More	7/87	24/7	3
Dinuclear bis (trimethylaluminum) thiolatto ytterbium complex (Imagen)	6/87	24/6	12
Directory & File Protection, New Policy for	12/87	24/12	7
FOCCALC Class in July	6/87	24/6	3
FOCUS Classes	1/87	24/1	3
<i>TELL-A-GRAF INTERFACE, Site Coordinator, FOCUS Classes</i>			
FOCUS News	8/87	24/8	18
<i>FUSE Conference Report, Hot Screen Demo, TED (FOCUS Editor), FocCalc Revisited</i>			
FOCUS News	10/87	24/10	11
<i>Screen Painter demo, FOCUS Classes in November.</i>			
FOCUS User Group Meeting	6/87	24/6	3
<i>FOCUS Users' Group, FOCUS Classes</i>			
FOCUS 1.3 - The New Version	6/87	24/6	3
FORTRAN Compilation Option, A Useful	7/87	24/7	6
FORTRAN Optimizer Bug	9/87	24/9	7
FORTRAN Upgrade in the Works	12/87	24/12	8
GNU EMACS is On the Cluster	7/87	24/7	3
Hard Disk for the PC, A New	3/87	24/3	10
HELP HINTS on VMS	2/87	24/2	7
HP Calculators for DEC Terminals	9/87	24/9	10
INDEX, Computing Newsletter Titles & Keywords - JAN 1986 to DEC 1986	1/87	24/1	11-17
INDEX, Computing Newsletter Titles & Keywords - JULY 1986 to JUNE 1987	7/87	24/7	14-21
Introduction (User) - Free (Handout) at Help Desk	12/87	24/12	7
Laboratory Letterhead with TEX	9/87	24/9	8
(LBL's) LEP3NET Connection	6/87	24/6	4
LINPACK Available on the CSA Cluster	3/87	24/3	6
LSE [One of] DEC's Great New Tools	4/87	24/4	7
LSE (Language Sensitive Editor) is On the Cluster	11/87	24/11	14
(PDP-11 and) LSI-11 Software Distribution Survey	6/87	24/6	10
MINPACK, Here's	3/87	24/3	3
MMS [One of] DEC's Great New Tools	4/87	24/4	7
NAG Library Update on CSA	11/87	24/11	12
New Apple Macintosh Computers (SE, II)	4/87	24/4	12
Newsletter, Sign Up for the	8/87	24/8	3

TITLES/ KEYWORDS	MO/ YR	VOL/ NO	PG
(Accessing) NMFECC Via Telnet	6/87	24/6	9
No More DICOMED Use Charges	7/87	24/7	3
Paper Recycling at LBL	3/87	24/3	6
PDP-11 and LSI-11 Software Distribution Survey	6/87	24/6	10
Physics Utilities HELP Library	6/87	24/6	10
Public Domain (or ShareWare) Software for the IBM	12/87	24/12	12
Security Update	2/87	24/2	3
SET HOST Facility Restriction	9/87	24/9	7
SPSS X	3/87	24/3	3
UNIX Workstation User Group February Meeting	2/87	24/2	7
UNIX Workstation User Group March Meeting	3/87	24/3	7
UNIX Workstation User Group May Meeting	5/87	24/5	7
UNIX Workstation User Group June Meeting	6/87	24/6	4
UNIX Workstation User Group July Meeting	7/87	24/7	6
UNIX Workstation User Group August Meeting	8/87	24/8	8
UNIX Workstation User Group September Meeting	9/87	24/9	10
UNIX Workstation User Group October Meeting	10/87	24/10	20
Useful FORTRAN Compilation Option, A	7/87	24/7	6
Using Software (Guide to Ethical Use in Academic Community)	9/87	24/9	13
(Try) VAXIMA: You'll Like it	10/87	24/10	9
2400 Baud Modem Problems	10/87	24/10	7

Ethernet/LBLnet NEWS

Lab-Wide Ethernet News	1/24	24/1	4
Lab-Wide Ethernet Activity Map, Nov. 1986	1/87	24/1	5
Lab-Wide Ethernet News	2/87	24/2	4
Lab-Wide Ethernet Activity Map, Dec. 1986	2/87	24/2	5
Lab-Wide Ethernet News	3/87	24/3	4
Lab-Wide Ethernet Activity Map, Jan. 1987	3/87	24/3	5
Lab-Wide Ethernet News	4/87	24/4	4
Lab-Wide Ethernet Activity Map, Feb. 1987	4/87	24/4	5
Lab-Wide Ethernet News	5/87	24/5	4
Lab-Wide Ethernet Activity Map, March 1987	5/87	24/5	5
Lab-Wide LBLnet News	6/87	24/5	6
Lab-Wide LBLnet Activity Map, April 1987	6/87	24/6	7
Lab-Wide LBLnet News	7/87	24/7	4
Lab-Wide LBLnet Activity Map, May 1987	7/87	24/7	7
Lab-Wide LBLnet News	8/87	24/8	4
Lab-Wide LBLnet Activity Map, June 1987	8/87	24/8	5
Lab-Wide LBLnet News	9/87	24/9	4
Lab-Wide LBLnet Activity Map, July 1987	9/87	24/9	5
Lab-Wide LBLnet News	10/87	24/10	4
Lab-Wide LBLnet Activity Map, August 1987	10/87	24/10	5
LBLnet By Building (A Diagram)	6/87	24/6	8
Lab-Wide LBLnet News	11/87	24/11	4
Lab-Wide LBLnet Activity Map, September 1987	11/87	24/11	5
LBLnet Overview (A Block Diagram)	11/87	24/11	6
Lab-Wide LBLnet News	12/87	24/12	4
Lab-Wide LBLnet Activity Map, October 1987	12/87	24/12	5
LBLnet Overview (A Block Diagram)	12/87	24/12	6

TITLES/ KEYWORDS	MO/ YR	VOL/ NO	PG
GRAPHICS, PRINTING & TYPESETTING NEWS			
Almost Computer Modern Goes Away	4/87	24/4	6
Bold Greek Characters in T _E X	11/87	24/11	11
DISSPLA-Generated Tektronix Files	5/87	24/5	6
Evans & Sutherland PS-390 Graphics Terminal	11/87	24/11	9
(Here's) GNUPLOT	11/87	24/11	8
Graphics Classes in June '87	4/87	24/4	7
<i>TELL-A-GRAF, CUECHART, TABLES, DATA CONNECTION, PINPOINT, DISSPLA with DYNAMICS</i>			
T _E X Laboratory Letterhead Available for Imagen	10/87	24/10	9
NCAR Graphics Package is on the Cluster	10/87	24/10	6
T _E X Class	1/87	24/1	3
T _E X Fonts Available at LBL	4/87	24/4	6
Update: T _E X on VMS: LaT _E X and T _E X on UNIX	2/87	24/2	6

NEWS from the MAIN LIBRARY

Books Database on CD-ROM	8/87	24/8	8
Databases at the (Main) Library (Backus)	4/87	24/4	6
<i>MICROCOMPUTER INDEX, COMPUTER DATABASE, MENU - INTERNATIONAL</i>			
(Free) Magazines at the Main Library	11/87	24/11	26
Library Automation TPEG	8/87	24/8	8

NEWS of MATH LIBRARIES & PRODUCTS

CERN Library Updated	5/87	24/5	6
IMSL Library on UX8	2/87	24/2	6
LINPACK Available on the CSA Cluster	3/87	24/3	6
MINPACK, Here's	3/87	24/3	3
NAG Library Update on CSA	11/87	24/11	12

NETWORKING NEWS

Bitnet File Printing	9/87	24/9	6
HEPnet News: Japan, Italy, CalTech	7/87	24/7	8
POSTMASTER's CORNER	7/87	24/7	7
POSTMASTER's CORNER	8/87	24/8	6
POSTMASTER's CORNER	9/87	24/9	11
<i>send/edit command, sending ascii text files, st%, Bitnet files</i>			
POSTMASTER's CORNER	10/87	24/10	12
POSTMASTER's CORNER	11/87	24/11	15
<i>userid's, electronic mail addresses</i>			
POSTMASTER's CORNER	12/87	24/12	10
<i>domains, VMS Mail files, reading new mail, from UX8 to UX1</i>			
Moving MSG Mail to VMS Mail	6/87	24/6	9
Reminder (to Milnet/ARPA Network Users)	5/87	24/5	3
Software Tools Mail Update, CSA	3/87	24/3	7
TYMNET Access to LBL	1/87	24/1	6
TYMNET, Divisional Accounts on	9/87	24/9	6

TITLES/ KEYWORDS	MO/ YR	VOL/ NO	PG
UNIX NEWS			
UNIX Batch Job Rates	10/87	24/10	8
(New) SUN UNIX Systems	9/87	24/9	10
(New) SUN UNIX Systems	10/87	24/10	8
UNIX Mail	11/87	24/11	7
UX1 is Up and Running	11/87	24/11	7
VMS NEWS			
Computing Services VMS Disk Backup Policy	6/87	24/6	11
VMS Version 5.0 in on the Way	10/87	24/10	7
WORKSTATION NEWS			
Adobe ILLUSTRATOR	7/87	24/7	9
AEP Computing Fair on Campus	11/87	24/11	20
APPLE MAC II Product Demo	5/87	24/5	13
Apple Macintosh Computers (SE, II), New	4/87	24/4	12
Audio Training Courses	9/87	24/9	21
Audio Training Courses	12/87	24/12	15
AutoBlack	7/87	24/7	13
(Here's) BACK-IT	4/87	24/4	10
BASIC (IBM) Compiler Problem?	5/87	24/5	8
BMUG's New Location	8/87	24/8	14
(Software) BRIDGE - The Product We've Been Waiting For	8/87	24/8	13
CDC WREN I Hard Disks, Warning to Users of	3/87	24/3	10
C-KERMIT, Invoking the New	11/87	24/11	17
(New) C-KERMIT Beta Release	11/87	24/11	17
dBase III Plus 1.1 Upgrade	1/87	24/1	8
CDEX "n" Help and Training	6/87	24/6	18
Computer Classes on the UC Berkeley Campus	11/87	24/11	20
Computer Rental Programs	10/87	24/10	16
Contest (Monthly) - Software Pick-of-the-Month	6/87	24/6	14
DBASEII to 4th DIMENSION	9/87	24/9	17
DBASE MAC: Look Before Your Leap	7/87	24/7	12
DEMO: DEC Productivity Tools Presentation	4/87	24/4	8
DESCRIBE, Monitoring with	11/87	24/11	26
(Here's) DESQVIEW	12/87	24/12	13
DISK OPTIMIZER (Disk Optimizer)	8/87	24/8	10
Disk Speedup Programs, Warning to Users of	9/87	24/3	9
(IBM) DisplayWrite4 Upgrade	1/87	24/1	8
DOG (DiskOrGanizer -- a Disk Optimizer)	8/87	24/8	10
DOS "REPLACE" Command	6/87	24/6	16
DOS 3.3, Features of the New	6/87	24/6	16
Electronic Publication System Demo June 16	6/87	24/6	13
(Building) Equations in MicroSoft WORD 3	5/87	24/5	15
Filepath Package	3/85	23/3	8
Five Good Packages in the Public Domain	6/87	24/6	14
<i>DSIZ, LIST, DOSEEDIT, DISKOVER, TSR</i>			
Fonts, A Flock of	10/87	24/10	17
Four New IBM-PC Programs	7/87	24/7	10
<i>Spectrum, Goodlook, How-Big, Respro</i>			
GRAPHER (Tell-a-Graf On Your PC?)	5/87	24/5	8

TITLES/ KEYWORDS	MO/ YR	VOL/ NO	PG
WORKSTATION NEWS, continued			
Graphic Arts Day (Macintosh) June 11	6/87	24/6	13
<i>ARC.COM, ARC513.EXE, BALKTALK, DISKSCAN.EXE, DOSKNOWS.EXE, EGABTR, FILER.EXE, LIST60, QMDM110.ARC, QMDM110A.ARC, QUIKRBBB.COM, SECRET.BAS, STRIPES.EXE, VDIR.COM</i>			
HAL (from LOTUS)	3/87	24/3	9
Graphon Color Graphics Terminal Demo	7/87	24/7	9
(Back Up Those) Hard Disks. We're Serious!	11/87	24/11	23
(PC) Hard Disk Management	8/87	24/8	9
Hard Disks, Warning to Users of CDC WREN I	3/87	24/3	10
Hard Disk Users, Warning: DON'T Park Those Heads !!	10/87	24/10	14
Hypercard, A First Look at	10/87	24/10	14
Hypercard Availability	10/87	24/10	14
Hypercard is Here!	9/87	24/9	16
Hypercard Stacks (LBL Phonebook)	11/87	24/11	26
(Apple) Hypercard Training	10/87	24/10	14
IBM DisplayWrite4 Upgrade	1/87	24/1	8
IBM On-site Repair	11/87	24/11	21
IBM Product Demo	11/87	24/11	21
IBM PC-AT Speedup	1/87	24/1	9
IBM-PC - Five Good Packages in the Public Domain	6/87	24/6	14
<i>DSIZ, LIST, DOSEDIT, DISCOVER, TSR</i>			
IBM-PC Programs, Four New	7/87	24/7	10
<i>Spectrum, Goodlook, How-Big, Respro</i>			
IBM-PC, Public Domain (or ShareWare) Software for the	12/87	24/12	12
<i>Baker's Dozen: BTTNCALC.EXE, CALENDAR.COM, DISKUTIL.COM, FILECOMP.EXE, GKEY.EXE, LOCATE.EXE, P90.EXE, PC_SORT.EXE, PRN_FILE.EXE, RDIR.EXE, SET_SCRN.EXE, SNAPSHOT.COM, SWCOM12.COM, SWLPT12.COM.</i>			
ILLUSTRATOR, Adobe	7/87	24/7	9
(New) IBM PC's	5/87	24/5	9
(New) IBM Product Announcements	6/87	24/6	16
Installing a MAC SE (DARE To Install!)	9/87	24/9	19
Internal Hard Disks for the Macintosh	11/87	24/11	25
JCLOCK Warning with MACs	8/87	24/8	18
JetSet - Enhancing LOTUS Support	7/87	24/7	11
KERMIT (MS-DOS) Version 2.29	3/87	24/3	9
<i>BAUD/Parity Settings, Capture, Selective SAVE's.</i>			
(Making) Labels on the IBM PC	10/87	24/10	19
LASER - A Program to Control the LaserJet	7/87	24/7	11
LaserJet, New HP Printers	4/87	24/4	8
LaserJet Printer with DisplayWrite 3	7/87	24/7	11
LaserJet Transparencies	1/87	24/1	7
(Warning to) Laser Printer Users	11/87	24/11	18
LaserWriter and LaserWriter Plus Upgrades	12/24	24/12	15
LaserWriter Caprice	7/87	24f/7	13
LaserWriter ROMs, Bugs in	8/87	24/8	15
Last Call for Macintosh Upgrade for MicroSoft WORD	5/87	24/5	13
LLNL PC Stores Latest Stock/Price Quotation	6/87	24/6	16
(Computer) Lockdown Devices	10/87	24/10	16
Lockdown for the MAC (24.5.9)	5/87	24/4	13
(Printing the LBL) Logo in a Microsoft WORD Document	12/87	24/12	15
LOTUS 1-2-3 Add-ins	11/87	24/11	23
LOTUS 1-2-3 Add-ins	12/87	24/12	23

TITLES/ KEYWORDS

MO/ YR

VOL/ NO

PG

WORKSTATION NEWS, continued

LOTUS 1-2-3 Release 2.01	4/87	24/4	8
<i>Single-Cell Recalculation - Pg. 5</i>			
<i>Changing a Formula to a Value - Pg. 5</i>			
<i>GoTo Another Part of the Spreadsheet - and Return - Pg. 6</i>			
<i>Moving Past Locked-in Titles - Without Using TITLES-CLEAR - Pg. 6</i>			
<i>Put a <<BEEP>> Into Your CALC Button - Pg. 6</i>			
<i>Go to a Named Range - Pg. 11</i>			
<i>Check Out All Four Corners of a Range - Pg. 12</i>			
<i>How to Change Ranges - Pg. 12</i>			
<i>Using the <F4 ABS> Key - Pg. 12</i>			
<i>Using the Copy Command in Reverse - Pg. 12</i>			
LOTUS Upgrades (1A to 2.01 & 2.0 to 2.01)	5/87	24/5	12
MAC Beginners, Hints & Tips	5/87	24/5	16
(New) MAC Class - Cliff Stoll	11/87	24/11	26
MACDRAFT 1.2: Have You Got the Right Version?	8/87	24/8	17
MACE Utilities (Disk Optimizer)	8/87	24/8	9
Macintosh Bulletin	9/87	24/9	17
Macintosh Hardware Upgrades	9/87	24/9	17
Macintosh Memory Upgrades	10/87	24/10	18
Macintosh Software, Updates to	8/87	24/8	11
Macintosh SE Hard Disk Users, Warning to	8/87	24/8	12
Macintosh Software Updates (MacWrite)	10/87	24/10	18
(New) Macintosh System Software	6/87	24/6	19
Macintosh Upgrade for MicroSoft EXCEL	1,2/87	24/1,2	10
Macintosh Upgrade for MicroSoft WORD	1,2/87	24/1,2	10
Macintosh Upgrade for MicroSoft WORD	4/87	24/4	14
Macintosh User Group	6/87	24/6	19
Macintosh WORD and EXCEL Upgrades	8/87	24/7	12
Macintosh WORD 3.0 Classes	8/87	24/7	14
MAC Masters Might Move On - Neophytes Need Read	8/87	24/8	14
MAC Memory Upgrade. How Much is Enough?	11/87	24/11	24
MAC Software Update Version 5.0 Orders	12/87	24/12	16
MACTAG: New Interface to Tell-s-Graf	5/87	24/5	14
MACTAG: Why Should I Use it? What Does it Do?	6/87	24/6	19
MACToberFest is Coming	10/87	24/10	16
(New) MAC Training Room	9/87	24/9	21
MAC Training Room - Your Own Shared System	10/87	24/10	14
MAC Users, Educational Opportunities for	9/87	24/9	21
(Free) Magazines at the Main Library	11/87	24/11	26
(LOTUS) MANUSCRIPT - a Review	6/87	24/6	17
Memory for Your MAC II: A Personal Opinion	11/87	24/11	24
Here's MINIX	2/87	24/2	8
MicroSoft Demo	12/87	24/12	12
MicroSoft WORD (One User's Application) On the IBM PC	8/87	24/8	12
MicroSoft EXCEL Training	7/87	24/7	13
MicroSoft WINDOWS: A Review	3/87	24/3	8
MicroSoft WORD 3.0 Keyboard Symbol Font Selection	6/87	24/6	20
MicroSoft WORD 3.0 Training	5,6,7/87	24/5,6,7	13,18,13
MicroSoft WORD 3.01 Update	7/87	24/7	13
MicroSoft WORD 3.1 & Cartridge Fonts	5/87	24/5	10
MicroSoft WORD 3.1 & Soft Fonts	5/87	24/5	12
MicroSoft WORD 3.0 & EXCEL For Sale	10/87	24/10	17

TITLES/ KEYWORDS	MO/ YR	VOL/ NO	PG
WORKSTATION NEWS, continued			
Moving MAC Files (Cliff Stoll)	8/87	24/8	16
MS-DOS KERMIT Version 2.29	3/87	24/3	9
MultiFinder Arrives	12/87	24/12	16
(More on) New Features of PC-DOS 3.3	8/87	24/8	10
Newsletters and Reports: A Summary and Rating	12/87	24/12	17
New Workstation Group Members	6/87	24/6	13
<i>Claudia Madison, Karla Savage, Nancy Travis</i>			
The No-Blue, Big-Red Blues	12/87	24/12	16
NORTON Utilities (Disk Optimizer)	8/87	24/8	9
On-Line Phone Book, Reminder about LBL's	7/87	24/7	9
OOPS! We Goofed (MACE Utilities & Lotus)	9/87	24/9	15
PACKAGE/UNPACKAGE Files	9/87	24/9	15
PC-DOS 3.3, (More on) New Features of	8/87	24/8	10
PC-MAC Lockdown Security Devices	1/87	24/1	7
PC-TUTOR	7/87	24/7	10
PC User, Tips for the Progressive	4/87	24/4	9
PC-VI Editor, A New Version of	2/87	24/2	10
PC-VI Editor Upgrade, Come Get Your Free	3/87	24/3	10
(LBL) Phonebook for the IBM PC	12/87	24/12	13
(LBL) Phonebook for the Macintosh	12/87	24/12	15
(LBL) Phonebook is on the Macintosh	10/87	24/10	16
Phonebook Contest has a Winner	3/87	24/3	6
<i>Russ Montello wins Contest for best information-accessing program</i>			
Phonelist (New) Available	2/87	24/2	10
PostScript Escape	3/87	24/3	11
Public Domain Software for the IBM PC (5 of the Best)	6/87	24/6	14
<i>WHEREIS, LIST, RENDIR, CONVERT, SDIR</i>			
Public Domain (or ShareWare) Software for the IBM	12/87	24/12	12
<i>Baker's Dozen: BTTNCALC.EXE, CALENDAR.COM, DISKUTIL.COM, FILECOMP.EXE, GKEY.EXE, LOCATE.EXE, P90.EXE, PC_SORT.EXE, PRN_FILE.EXE, RDIR.EXE, SET_SCRN.EXE, SNAPSHOT.COM, SWCOM12.COM, SWLPT12.COM.</i>			
(Ventura) PUBLISHER - A Review	11/87	24/11	21
(To) Publish or Process	9/87	24/9	15
Q-DOS II, An Update to Q-DOS	2/87	24/2	11
(DOS) "REPLACE" Command	6/87	24/6	16
RTSS Expands its Service	7/87	24/7	12
Scanner Input Devices Demo June 23	6/87	24/6	14
Scholar's Workstation Back in Business	1/87	24/1	10
Scholar's Workstation Update	10/87	24/10	17
SCSI Hard Disk Drives on the IBM-AT	12/87	24/12	12
SGML - Is There Anybody Out There?	12/87	24/12	12
SIDEVIEW: An Evaluation	4/87	24/4	10
Sign Up for the Newsletter!!	1/87	24/1	10
A Simple Hard Disk Upgrade for a PC	1/87	24/1	8
(Here's) SMART NOTES	11/87	24/11	18
Software Library (Workstation)	9/87	24/9	22
Software - Pick-of-the-Month - Monthly Contest	6/87	24/6	14
Software Ratings	1/84	24/1	10
Software Vendor Support	11/87	24/11	18
<i>TEX TURES, Pagemaker, MacDraw, MacWrite, MacPaint</i>			
<i>Draw, Graph, Lotus 1-2-3, Word, Excel, VersaTerm, WordPerfect</i>			
A Successful PC Upgrade with the Hard Card	1/87	24/1	9

TITLES/ KEYWORDS

MO/ YR

VOL/ NO PG

WORKSTATION NEWS, continued

SUN Microsystems Product Showcase	1/87	24/1	8
SURFER (Tell-a-Graf On Your PC?)	5/87	24/5	8
TCP/IP Useful in the IBM World	10/87	24/10	19
T _E X TURES	5/87	24/5	1.
T _E X TURES: A Review	4/87	24/4	14
T _E X TURES Version 1.0 Upgrade	10/87	24/10	17
Testing the ShareSpool	1/87	24/1	7
TIMELINE: Project Management Software for the IBM-PC	8/87	24/8	11
Timely Tip: Spring Ahead (MAC Users)	4/87	24/4	12
Timely Tip: Spring Ahead (PC Users)	4/87	24/4	8
Training Videos	8/87	24/8	10
Transferring Files Using Two Sizes of Floppies	8/87	24/8	10
UNIX, New News Topics on	7/87	24/7	9
<i>news info-kermit, news info-mac, news delphi-mac</i>			
Upgrade to MicroSoft WORD 3.0 for the Macintosh	5/87	24/5	13
Utilities from PC Magazine	6/87	24/6	15
<i>DiskScan, Free, Size, Vtree, Colorset,, Doors, MonoGraph, DRN, NPAD, SnapShot, Waitasec,</i>			
<i>LPTPort, PRSwap, PR, Setup, OneKey, QuickKey, Key-Fake, PushDir-PopDir, Undel, Delz, Xdel,</i>			
<i>BAC,Lock-Unlock, Locate, Move, Red, Sweep, Where, Browse, Rendir, No, DOS-Edit, Statline, Attr</i>			
VAX 2000 Evaluation Unit	6/87	24/6	14
VAXStation 2000 Workstation	7/87	24a/7	9
Versaterm 3.0 Upgrades Available	9/87	24/9	20
Versaterm Users, Tip for	10/87	24/10	17
VolksWriter3 Upgrade	1/87	24/1	7
Warning to Users of Disk Speedup Programs	9/87	24/3	9
Warning to Macintosh SE Hard Disk Users	8/87	24/8	12
WINDOWS, MicroSoft: A Review	3/87	24/3	8
WORD v1.05 - Editing/Word Processing on Your PC	2/87	24/2	10
(MicroSoft) WORD 3.0 For the Macintosh	5/87	24/5	14
WORD 3.0 - Bugs and Anomalies	5/87	24/5	17
WordPerfect 4.2 Upgrade	1/87	24/1	8
Z Cartridge, Here's the	6/87	24/6	16
Zenith News	7/87	24/7	12
<i>Z-248, Z-181, Z-189</i>			
Zenith 171 & 181 Portable Computers, A Reader Evaluates	2/87	24/2	9

YES I would like to receive the Computing Newsletter

NAME.....

FIRM.....

CITY
STATE

PHONE.....

COMMENTS.....

.....

.....

.....

Return to:.....Newsletter - MS 50F
Lawrence Berkeley Laboratory - University of California
Berkeley, CA 94720
Attention: NL MAILING LIST

PUB-429 1-88/1550

Newsletter Closing Date is Friday, January 15, 1987 . . . and no later.

Address all communications for the Newsletter to login news on UX1.

Prepared for the U.S. Department of Energy under Contract DE-AC03-76SF00098

Lawrence Berkeley Laboratory is an Equal Opportunity Employer

Lawrence Berkeley Laboratory is located in the hills above the UC Berkeley Campus. The (chocolate-colored) Building 50 Complex is located across from the red-and-white shuttle bus stop. You can get a free ride to the Laboratory on the shuttle bus. Pickup point is at Shattuck and Center in downtown Berkeley.

SIGN UP FOR THE NEWSLETTER

Attention LBL employees: If you use the Computer Center's UNIX or VMS system, or if you are a owner or user of a PC or a MAC, you should sign up to receive the Laboratory's Computing Newsletter. It contains useful information about our systems and has a helpful Workstation News section (supported by the Information and Computing Sciences Division's Workstation Group), offering support and helpful hints for PC users. This is also a place for you to send questions and comments. To add your name to the Newsletter Mailing List, contact Irene Partyka, x4242, or

VMS Mail: lbl::IMPartyka

UNIX or
Software Tools Mail: IMPartyka@lbl.gov

Lawrence Berkeley Laboratory
Computer Center Library
MS 50F
University of California
Berkeley CA 94720