

0 0 1 0 0 3 0 5 1 3 4

UCRL - 8935

UNIVERSITY OF
CALIFORNIA
Ernest O. Lawrence
Radiation
Laboratory

BERKELEY, CALIFORNIA

For Reference

Not to be taken from this room

Bldg. 50

DISCLAIMER

This document was prepared as an account of work sponsored by the United States Government. While this document is believed to contain correct information, neither the United States Government nor any agency thereof, nor the Regents of the University of California, nor any of their employees, makes any warranty, express or implied, or assumes any legal responsibility for the accuracy, completeness, or usefulness of any information, apparatus, product, or process disclosed, or represents that its use would not infringe privately owned rights. Reference herein to any specific commercial product, process, or service by its trade name, trademark, manufacturer, or otherwise, does not necessarily constitute or imply its endorsement, recommendation, or favoring by the United States Government or any agency thereof, or the Regents of the University of California. The views and opinions of authors expressed herein do not necessarily state or reflect those of the United States Government or any agency thereof or the Regents of the University of California.

0 0 1 0 0 3 0 5 1 3 5

For Publ. in Phys. Rev. Letters

UCRL-8935

UNIVERSITY OF CALIFORNIA

Lawrence Radiation Laboratory
Berkeley, California

Contract No. W-7405-eng-48

EXPERIMENTAL EVIDENCE FOR D WAVES
IN π^- - P^- SCATTERING AT 370 AND 427 Mev

Lester K. Goodwin, Robert W. Kenney, and Victor Perez-Mendez

October 9, 1959

**EXPERIMENTAL EVIDENCE FOR D WAVES
IN π^- -P SCATTERING AT 370 AND 427 Mev***

Lester K. Goodwin, Robert W. Kenney and Victor Perez-Mendez

Lawrence Radiation Laboratory
University of California
Berkeley, California

October 9, 1959

The differential elastic scattering of pions on protons furnishes information on the magnitude of the various partial waves included in the interaction. Precise measurements of this process up to 333 Mev^{1, 2} have been interpreted in terms of S and P waves and their six associated charge-independent phase shifts. No D or higher waves were necessary to give a statistically significant fit to the data. In this letter, we report our values of the elastic-scattering cross section for negative pions on protons at 370 ± 9 and 427 ± 10 Mev.

The experimental set-up is shown in Fig. 1. The pion beam from an internal Be target in the 184-in. cyclotron was deflected out of the machine by its magnetic fringing field. The beam was then momentum-analyzed and focused by the wedge and quadrupole magnets shown. The intensity of the 2-in. diam. beam was greater than 15,000 negative pions per second. The beam energy and its muon and electron contaminations were determined from ranges in copper.

The pion beam was scattered in a 4-in. -thick liquid-hydrogen target. The elastically scattered pions were detected by a three-scintillator counter telescope which discriminated against recoil protons and inelastic pions on the basis of range in the copper absorbers placed between the first and last scintillators of the telescope. A different thickness of copper absorber was used for each of the elastically scattered pions. This energy was a unique function of the angle of scattering and was calculated from the kinematics of the two-body final state.

* Work done under the auspices of the U. S. Atomic Energy Commission.

The efficiency of the telescope was measured as a function of pion energy, with essentially the same pion beam set-up shown in Fig. 1. Beam energy and contamination were determined from range curves.

The main corrections to the data are for Coulomb scattering, finite target and telescope size, and π^0 photons from charge-exchange scattering.³ The results of the experiment are shown in Fig. 2. Also shown is the differential cross section at zero degrees. The imaginary part of the forward-scattering amplitude was obtained from total cross-section data,^{1,4} and the real part was obtained from dispersion theory.⁵ Because of the relatively small contribution to the cross section of the real part compared to the imaginary part at these energies, even a 100% error in the real part does not significantly effect the cross-section magnitude or its error. Thus the zero-deg. differential cross sections shown depend effectively only upon the experimentally determined total cross sections.

The data was fitted to a power series in $\cos \theta^*$, where θ^* is the center-of-mass scattering angle,

$$d\sigma/d\Omega^* = \sum_{k=0}^n A_k (\cos \theta^*)^k,$$

for various values of n . Three of the least-squares fits made at each energy are shown in Fig. 2. The dashed curve represents the fit to the points, excluding the calculated zero-deg point and using only S- and P-wave contributions ($n = 2$). The dot-dash curve represents the fit to the same points obtained for a value of n that was chosen on the basis of a χ^2 test to have its most probable value. The solid curve represents the fit obtained for the most probable value of n when the zero-deg point is included. The values of the best-fit parameters, A_k , are given in Table I. The table also gives the probabilities, p , that χ^2 for a random sample would exceed the value found.

The probabilities that the data are consistent with the fits based on S and P waves alone is less than 1%. Thus the inclusion of D waves is necessary to obtain a reasonable fit to the data. In fact, the most probable values of n obtained include an F-wave interference term (n = 5) at 370 Mev and an F-wave term (n = 6) at 427 Mev. The conclusion is that D waves are present, and that F waves may be present, especially at 427 Mev.

The total elastic cross sections, obtained from integrating the solid-line fits, are 10.8 ± 0.2 mb at 370 Mev and 13.00 ± 0.34 mb at 427 Mev. The zero-deg differential cross sections obtained by extrapolating the dot-dash curves to zero deg are 1.38 ± 0.23 mb/sterad at 370 Mev and 1.78 ± 0.55 mb/sterad at 427 Mev. Within statistics these values agree with those predicted from dispersion relations.

We should like to acknowledge the continued interest and support of Professor A. C. Helmholz, and to thank Dr. Walton A. Perkins and Mr. James Vale and the cyclotron crew for their assistance and cooperation during the course of the experiment.

References

1. H. A. Bethe and F. de Hoffman, Mesons and Fields II, (Row, Peterson and Company, White Plains, N. Y., 1955).
2. V. G. Zinov and S. M. Korenchenko, Zhur. Eksptl. i. Teoret. Fiz. 34, 301 (1958); translation in Soviet Phys. JETP 34, 210 (1958).
3. Caris, Kenney, Knapp, Perez-Mendez, and Perkins, Charge-exchange Scattering of Negative Pions by Hydrogen at 260, 317, and 371 Mev, UCRL-8904 Abstract, September 1959.
4. Mukhin, Ozrov, and Pontecorvo, Zhur. Eksptl. i. Teoret. Fiz. 31, 371 (1956); translation in Soviet Phys. JETP 4, 237 (1957).
5. H. J. Schnitzer and G. Salzman, Discrepancy Between π^- -Proton Scattering and a Dispersion Equation, NYO-2265, August 1, 1958.

Table I

Least-squares-fit parameters, A_k , in millibarns/steradian, for the most probable values of n , for which p is the probability that χ^2 for a random sample would exceed the value found.

Energy (Mev)	n	Zero-deg. point	A_0	A_1	A_2	A_3	A_4	A_5	A_6	P (%)
370±9	5	included	0.65 ±0.03	1.02 ±0.10	0.97 ±0.18	-1.43 ±0.40	-0.57 ±0.19	0.65 ±0.35		44
370±9	5	excluded	0.66 ±0.03	1.03 ±0.11	0.89 ±0.25	-1.56 ±0.51	-0.45 ±0.32	0.81 ±0.52		28
427±10	6	included	0.77 ±0.04	1.46 ±0.16	0.19 ±0.56	-2.15 ±0.73	2.50 ±1.68	1.04 ±0.65	-2.07 ±1.26	34
427±10	6	excluded	0.77 ±0.05	1.47 ±0.21	0.20 ±0.70	-2.19 ±1.05	2.43 ±2.20	1.10 ±1.06	-1.99 ±1.78	19

0010030-6-140

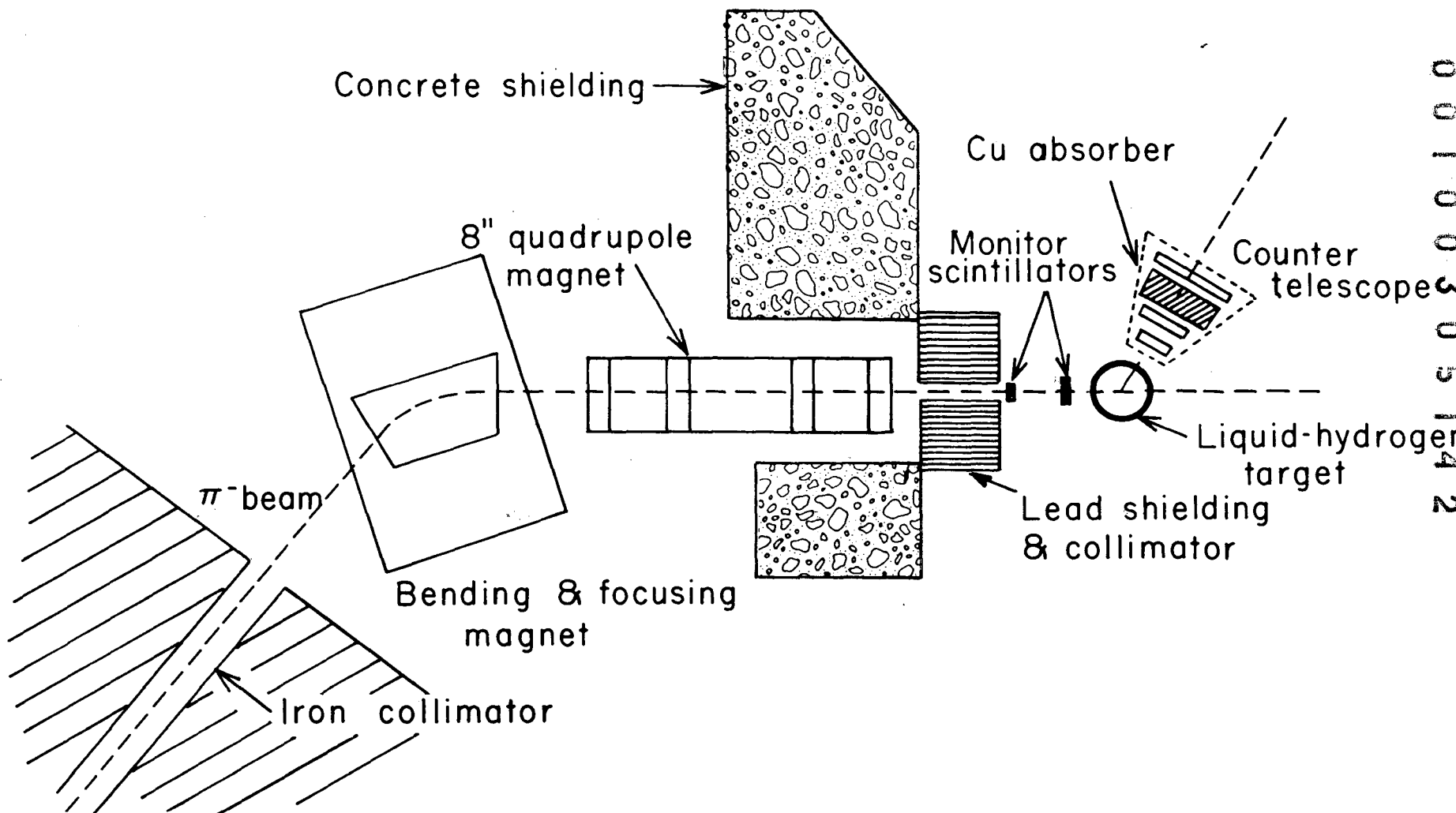
UCRL-8935

Figure Legends

Fig. 1. Experimental arrangement (not to scale).

Fig. 2. Differential cross sections for π^- -P elastic scattering. The square points on the ordinates represent dispersion-relation predictions.

The solid curve represents the best least-squares fit obtained including the zero-degree point. The dot-dash curve represents the best fit obtained excluding the zero-degree point. The dashed curve represents the fit obtained excluding the zero-degree point and using only S and P waves.



00100305142

Fig 1

