

UC San Diego

UC San Diego Previously Published Works

Title

Unbounded circumambient patterns in segmental phonology

Permalink

<https://escholarship.org/uc/item/5d47g99f>

Journal

PHONOLOGY, 37(2)

ISSN

0952-6757

Authors

McCollum, Adam G

Bakovic, Eric

Mai, Anna

et al.

Publication Date

2020

DOI

10.1017/S095267572000010X

Peer reviewed

Unbounded circumambient patterns in segmental phonology

Adam G. McCollum¹, Eric Baković², Anna Mai², Eric Meinhardt²

¹Rutgers University, ²University of California San Diego

Abstract

We present an empirical challenge to [Jardine’s \(2016\)](#) assertion that only tonal spreading patterns can be *unbounded circumambient*, meaning that the determination of a phonological value may depend on information that is an unbounded distance away on both sides. We focus on a demonstration that the ATR harmony pattern found in Tutrugbu ([McCollum & Essegbey 2018](#), [Essegbey 2019](#)) is unbounded circumambient, and we also cite several other segmental spreading processes with the same general character. We discuss implications for the complexity of phonology and for the relationship between the explanation of typology and the evaluation of phonological theories.

1 Introduction

Phonological theories (of the ‘free-standing’ variety; [Prince 2007](#)) make typological claims, predictions about what are and what are not possible phonological patterns. Much work has been devoted to questions about the expressivity of a given phonological theory. Is the theory powerful enough to correctly predict the existence of a given attested pattern? — and if not, how can the theory’s expressive power be appropriately extended? Is the theory so powerful that it incorrectly predicts the existence of an unattested, potentially ‘pathological’ pattern? — and if so, how can the theory’s expressive power be appropriately constrained?

Recent work has approached this question from the perspective of formal language theory, aiming to characterize particular attested or unattested phonological patterns in terms of well-defined, theory-independent computational classes of string sets (formal languages) or mappings between string sets (string functions): any given pattern can be characterized by the *minimum* level of complexity (expressivity) required to capture it.

The larger goal of this work is to formally delimit the boundary between possible (*qua* attested) and impossible (*qua* unattested) patterns. [Heinz \(2011a, b, 2018\)](#), [Heinz & Lai \(2013\)](#), and [Jardine \(2016\)](#), among others, have advanced the broad hypothesis that phonological patterns are SUBREGULAR, meaning that they can be characterized by computational classes that are strictly less expressive than the class of regular string relations, which characterizes the expressivity of ordered SPE-style rewrite rules ([Johnson 1972](#), [Kaplan & Kay 1994](#)).

Figure 1 summarizes some subregular function classes and points to some relevant examples, including the example that is the empirical focus of this article, Tutrugbu ATR harmony ([McCollum & Essegbey 2018](#), [Essegbey 2019](#)).

[Chandlee \(2014, §7.1\)](#) and [Heinz \(2018, §6.2.1\)](#) note that the vast majority of phonological patterns appear to be contained within the innermost, least expressive classes of the subregular hierarchy. However, there are some patterns that are relatively more complex, and [Heinz & Lai \(2013\)](#) and [Jardine \(2016\)](#) contend that the most complex segmental patterns require no more expressivity than what is afforded by WEAKLY DETERMINISTIC regular functions. These types of patterns include prototypical bidirectional harmony processes. In contrast, [Jardine \(2016\)](#) demonstrates that a number of tonal spreading patterns are more complex than this. These patterns all require at least NON-DETERMINISTIC regular functions to be described, and all exhibit UNBOUNDED CIRCUMAMBIENCE, a dependence on information (e.g. spreading triggers and blocking conditions) that are an unbounded distance from the spreading target in both directions.¹

¹In what are perhaps more familiar terms, a subset of these unbounded circumambient patterns are NON-MYOPIC ([Wilson 2003, 2006](#); see also [Finley 2008](#), [Walker 2010](#), [Kimper 2012](#), [Stanton 2018](#), [Mascaró 2019](#), [McCollum et al.](#), submitted). In the descriptively most straightforward hypothetical case of a non-myopic pattern, spreading is simply not triggered when there is a blocking segment anywhere in the form; this is dubbed SOUR GRAPES by [Wilson \(2003, 2006\)](#), adapting a term from [Padgett \(1995\)](#). The Tutrugbu ATR harmony pattern described below is a variation on sour grapes.

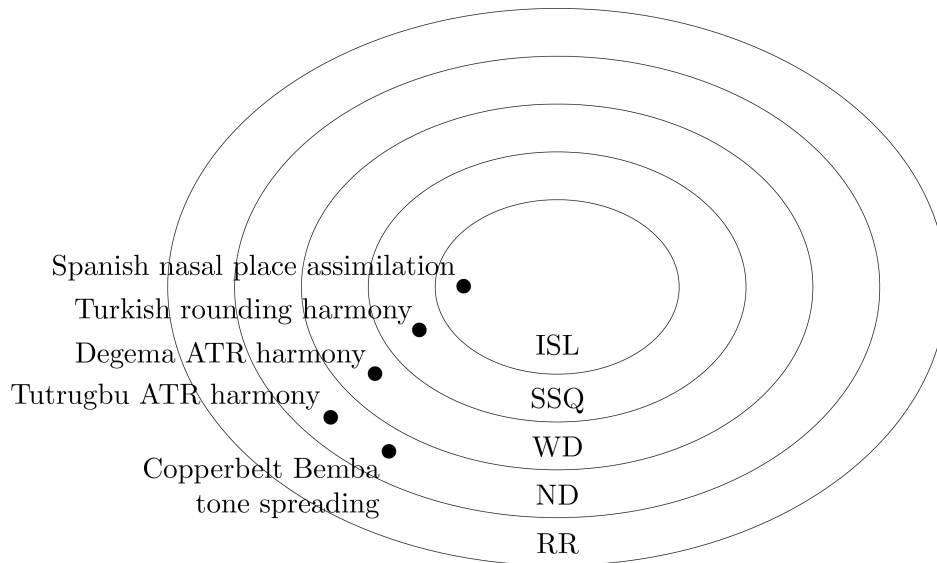


Figure 1 Some regions of the subregular hierarchy of string-to-string mappings, with phonological examples. Examples of input strictly local functions (ISL) include nasal place assimilation and metathesis (Chandlee 2014); examples of subsequential functions (SSQ) include unidirectional harmony (Heinz & Lai 2013) and dissimilation (Payne 2017); examples of weakly deterministic functions (WD) include bidirectional harmony (Heinz & Lai 2013); examples of non-deterministic functions (ND) include unbounded circumambient processes (Jardine 2016); examples of regular relations (RR) include optional iterativity (Heinz 2018).

The unbounded circumambient nature of the Tutrugbu ATR harmony pattern can be seen in the comparison between the pairs of forms in (1). ATR spreads leftward from the root to prefixes, targeting both [+high] and [−high] vowels (1a,b). When the initial prefix vowel is [+high], however, harmony is blocked by [−high] vowels (1c,d). In other words, the surface realization of the medial vowels in (1a-d) depends on both the ATR value of the root and the presence or absence of an initial-syllable [+high] vowel. We demonstrate that this pattern is non-deterministic in exactly the same way that the tonal spreading patterns discussed by Jardine (2016) are, because this pattern also satisfies Jardine’s criteria for unbounded circumambience.

- (1) Tutrugbu ATR harmony
- | | | | | | |
|----|------------|-------------------|----|------------|-------------------|
| a. | a-tí-ba-bá | ‘3S-NEG-FUT-come’ | c. | ɪ-tí-ba-bá | ‘1S-NEG-FUT-come’ |
| b. | e-tí-be-ǰē | ‘3S-NEG-FUT-grow’ | d. | ɪ-tí-ba-ǰē | ‘1S-NEG-FUT-grow’ |

We introduce ATR harmony in Tutrugbu in §2, and in §3 we show that this pattern satisfies Jardine’s (2016) definition of an unbounded circumambient process. We introduce the computational machinery necessary to account for unbounded circumambient processes in §4, providing examples for three germane complexity classes within the subregular hierarchy: subsequential, weakly deterministic, and non-deterministic. We provide a finite-state analysis of Tutrugbu ATR harmony in §5 and show that it is non-deterministic. In §6 we discuss other examples of unbounded circumambient segmental patterns, and the implications of our findings for explaining the typology of complexity and evaluating phonological theories before concluding with §7.

2 Tutrugbu ATR harmony

Tutrugbu is a Ghana-Togo Mountain language (Kwa) spoken in southeastern Ghana. The data for this article come from formal elicitation as well as a documentary corpus of natural speech. Data collection practices are described in Essegbey (2019, pp. 11-13). Almost all of the data presented here was collected by James Essegbey over the course of around 15 years of fieldwork in Ghana, with only recent collaboration with the first

author. The pattern described here was first presented in [Essegbey \(2009\)](#) and more extensively discussed in [McCollum & Essegbey \(2018\)](#) and [Essegbey \(2019, pp. 36-39\)](#). Example data are found throughout [Essegbey \(2019\)](#), and the data are, to the best of our knowledge, representative of the entire speech community, without exceptions or variation, except as described in §2.2.²

2.1 Data

Tutrugbu has an inventory of nine oral vowels, /a ɔ o u ε e i i/, with contrasts in height, backness, rounding, and ATR. As [Essegbey \(2009\)](#) notes, there are only seven surface vowels in the language. The vowels we transcribe as high [−ATR] vowels, /u/ and /i/, always surface as mid vowels, [ɔ] and [ε], but pattern as high vowels. To make their phonological status clear we will transcribe them as [u] and [i] throughout; see also [McCollum & Essegbey \(2019\)](#) and [McCollum & Essegbey \(2018\)](#). We defend this abstract analysis in §2.3.2 below. Nasal counterparts of these oral vowels are also phonemic in the language, and they behave just like oral vowels with respect to ATR harmony. ATR harmony proceeds from right to left in Tutrugbu, from roots to prefixes. Suffixation is rare, and suffixes do not generally undergo harmony.

Observe the ATR pairings demonstrated by regressive harmony on noun class prefixes in (2). In (2a), prefixal [a] alternates with [e], while in (2b) [ɔ] alternates with [o]. In (2c), [i] alternates with [ɪ], and finally, in (2d), [u] alternates with [u]. Note that [ε] does not occur in affixes. We analyze [+ATR] as the active (or dominant) feature value in the language, assigning affixes a [−ATR] value underlyingly.

(2) ATR harmony in nouns

	Class		[−ATR]	Gloss		[+ATR]	Gloss
a.	1	/a-ɲɪ/	[a-ɲɪ]	‘C1-man’	/a-bú/	[e-bú]	‘C1-dog’
b.	3	/ɔ-da/	[ɔ-da]	‘C3-copper’	/ɔ-pétē/	[o-pétē]	‘C3-vulture’
c.	4	/i-da/	[ɪ-da]	‘C4-copper’	/i-pétē/	[i-pétē]	‘C4-vulture’
d.	8	/bɔ-wɪ/	[bɔ-wɪ]	‘C8-axe’	/bɔ-ju/	[bɔ-ju]	‘C8-war’

Noun class prefixes undergo ATR harmony, but concatenating more prefixes to a nominal root is not possible. Verbal morphology on the other hand allows for more morphological complexity. In (3) we see that words with only [+high] prefix vowels show full harmony. In (3a–c), [−ATR] roots are preceded by [−ATR] prefixes, while in (3d–f), [+ATR] roots are preceded by [+ATR] prefixes.

(3) ATR harmony on [+high] prefixes

		[−ATR]	Gloss		[+ATR]	Gloss	
a.	/i-tí-bá/	[ɪ-tí-bá]	‘1S-NEG-come’	d.	/i-tí-ǰē/	[i-tí-ǰē]	‘1S-NEG-grow’
b.	/bɔ-tí-bá/	[bɔ-tí-bá]	‘1P-NEG-come’	e.	/bɔ-tí-ǰē/	[bɔ-tí-ǰē]	‘1P-NEG-grow’
c.	/kɪ-tí-bá/	[kɪ-tí-bá]	‘C5-NEG-come’	f.	/kɪ-tí-ǰē/	[kɪ-tí-ǰē]	‘C5-NEG-grow’

Full harmony also obtains when all prefix vowels are [−high], as in (4). In (4d–f), [+ATR] roots propagate their [+ATR] feature to the left edge of the word. Note also in (4c,f) that [−high] round vowels in the initial syllable trigger progressive rounding harmony in the pre-verbal domain ([McCollum & Essegbey 2019](#)). Rounding harmony is triggered by and targets [−high] vowels; high vowels are transparent.

(4) ATR harmony on [−high] prefixes

		[−ATR]	Gloss		[+ATR]	Gloss	
a.	/a-ba-bá/	[a-ba-bá]	‘3S-FUT-come’	d.	/a-ba-ǰē/	[e-be-ǰē]	‘3S-FUT-grow’
b.	/ka-ba-bá/	[ka-ba-bá]	‘C7-FUT-come’	e.	/ka-ba-ǰē/	[ke-be-ǰē]	‘C7-FUT-grow’
c.	/ɔ-ba-bá/	[ɔ-bɔ-bá]	‘2S-FUT-come’	f.	/ɔ-ba-ǰē/	[o-bo-ǰē]	‘2S-FUT-grow’

²The same pattern is also attested in Tafi, a closely related language ([Bobuafor \(2013\)](#); see also §6.2.1).

4 Tutrugbu ATR harmony

In (3) and (4), all prefix vowels agree in [\pm high]. Harmony in forms with prefix vowels of differing values of [\pm high] is illustrated in (5). The initial-syllable vowel is [$-$ high] in these examples, as it is in (4), and harmony obtains throughout the word.

(5) ATR harmony on varying-height prefixes and a [$-$ high] initial prefix

	[$-$ ATR] Root	Gloss
a.	/a-tí-ba-bá/ [a-tí-ba-bá]	'3S-NEG-FUT-come'
b.	/ɔ-tí-ba-bá/ [ɔ-tí-bɔ-bá]	'2S-NEG-FUT-come'
c.	/ka-tí-ba-bá/ [ka-tí-ba-bá]	'C7-NEG-FUT-come'
	[$+$ ATR] Root	Gloss
d.	/a-tí-ba-fē/ [e-tí-be-fē]	'3S-NEG-FUT-grow'
e.	/ɔ-tí-ba-fē/ [o-tí-bo-fē]	'2S-NEG-FUT-grow'
f.	/ka-tí-ba-fē/ [ke-tí-be-fē]	'C7-NEG-FUT-grow'

In contrast to the previous examples, [$-$ high] vowels block harmony if the vowel in the initial syllable is [$+$ high]. Regardless of the root's ATR value, the vowel of the [$-$ high] future prefix and all preceding vowels surface as [$-$ ATR] under this condition.

(6) ATR (dis)harmony on varying-height prefixes and a [$+$ high] initial prefix

	[$-$ ATR] Root	Gloss
a.	/ɪ-ba-bá/ [ɪ-ba-bá]	'1S-FUT-come'
b.	/bɯ-ba-bá/ [bɯ-ba-bá]	'1P-FUT-come'
c.	/kɪ-ba-bá/ [kɪ-ba-bá]	'C5-FUT-come'
	[$+$ ATR] Root	Gloss
d.	/ɪ-ba-fē/ [ɪ-ba-fē]	'1S-FUT-grow'
e.	/bɯ-ba-fē/ [bɯ-ba-fē]	'1P-FUT-grow'
f.	/kɪ-ba-fē/ [kɪ-ba-fē]	'C5-FUT-grow'

These examples show that the [$-$ high] vowel blocks harmony when the initial-syllable vowel is [$+$ high]. The [$-$ high] vowel immediately precedes the root in (6), but Tutrugbu does allow at least one [$+$ high] prefix to intervene between a root and a [$-$ high] vowel. In words with a [$+$ ATR] root, a [$+$ high] initial-syllable vowel, and a medial [$-$ high] prefix vowel (satisfying the two conditions necessary to block harmony), a [$+$ high] prefix vowel intervening between the root and the medial [$-$ high] vowel undergoes harmony (7). In (7a,b), the itive prefix alternates based on the ATR value of the root, establishing that this particular morpheme regularly undergoes harmony. In (7c,d), this prefix is the only one to undergo harmony. In essence, harmony spreads as far as the blocking [$-$ high] vowel, and then stops.

(7) Partial ATR harmony on [$+$ high] prefixes

a.	/ɪ-dɪ-tɔ́/ [ɪ-dɪ-tɔ́]	'1S-ITIVE-cook'
b.	/ɪ-dɪ-wu/ [i-di-wu]	'1S-ITIVE-climb'
c.	/ɪ-ba-dɪ-wu/ [ɪ-ba-di-wu]	'1S-FUT-ITIVE-climb'
d.	/bɯ-ba-dɪ-wu/ [bɯ-ba-di-wu]	'1P-FUT-ITIVE-climb'

The data above show that [$-$ high] vowels are **CONDITIONAL BLOCKERS**: they block harmony only in the presence of an initial-syllable [$+$ high] vowel. Two [$+$ high] vowel prefixes do not block harmony, as in (3), and two [$-$ high] vowel prefixes do not block harmony, as in (4) and (5). It is only the combination of an initial-syllable [$+$ high] vowel and a medial [$-$ high] vowel that blocks harmony. In other words, the realization of a [$-$ high] prefix vowel depends not only on the ATR value of the vowel in the immediately following morpheme (the root, or a prefix closer to the root), but also on the [\pm high] value of the initial-syllable vowel.

In (6) and (7), the initial-syllable [+high] vowel and the medial [–high] vowel are in adjacent syllables. In (8) we see that harmony is blocked by the co-presence of these two conditions, even when separated by a number of intervening syllables.³

(8) Unbounded conditional blocking of ATR harmony

	Context	Example	Gloss
a.	no #[+high] prefix	[e-tí-wu]	‘3S-NEG-climb’
b.	no [–high] prefix	[i-tí-wu]	‘1S-NEG-climb’
c.	adjacent	[ɪ-ba-wu]	‘1S-FUT-climb’
d.	1σ gap	[ɪ-tí-ka-wu]	‘1S-NEG-PFV-climb’
e.	2σ gap	[ɪ-tí-ka-a-wu]	‘1S-NEG-PFV-PROG-climb’
f.	3σ gap	[ɪ-tí-ka-a-ba-wu]	‘1S-NEG-PFV-PROG-VENT-climb’
g.	4σ gap	[ɪ-tí-ka-a-ba-ba-wu]	‘1S-NEG-PFV-PROG-VENT-VENT-climb’
h.	no #[+high] prefix	[e-tí-ke-e-be-be-wu]	‘3S-NEG-PFV-PROG-VENT-VENT-climb’

Tutrugbu ATR harmony is blocked only when two conditions are met: one, the initial-syllable vowel is [+high], and two, another prefix vowel is [–high], as in (8c–g). When only one of these conditions is met — as in (8a,b,h) — harmony obtains. In (8c), the [+high] initial-syllable vowel and [–high] prefix vowel are adjacent, and harmony fails. In (8d–g), one, two, three, and four syllables intervene between these two interacting conditions on harmony. Thus, the blocking of regressive ATR harmony depends on decidedly non-local information — the [±high] value of the initial-syllable vowel — and the presence of a [–high] prefix vowel, which may occur a number of syllables from the initial syllable with no principled upper bound.

2.2 Variation

Before moving on to the analysis, there is an additional aspect of the pattern worth noting. [Essegbey \(2009, p. 40\)](#) describes variation in the blocking context. When an initial-syllable [+high] prefix is followed by a medial [–high] prefix, the [–high] prefix and all preceding prefixes may surface as [–ATR] (9a). (Note: [Essegbey’s](#) /ɛ/ = our /ɪ/; see §2.3.2) But the initial-syllable [+high] prefix may also surface as [+ATR] although the following [–high] prefix is [–ATR] (9b). Finally, the [–high] vowel undergoes harmony when the initial-syllable vowel is [–high] (9c), just as in our data above, with no variation.

(9) Variable behavior of medial /a/ ([Essegbey 2009, p. 40](#))

a.	/ɛ-ba-téjú vɛ/	[ɛ-ba-téjú vɛ]	‘1S-FUT-be.able go’
b.	/ɛ-ba-téjú vɛ/	[i-ba-téjú vɛ]	‘1S-FUT-be.able go’
c.	/a-ba-téjú vɛ/	[e-be-téjú vɛ]	‘3S-FUT-be.able go’

According to [Essegbey \(2009, p. 40\)](#), only “some speakers” judge both (9a,b) as grammatical. In the pattern most widely attested in our data, the medial [–high] vowel conditionally blocks harmony, preventing [+ATR] from spreading to prefixes further from the root. For (9b), [Essegbey](#) suggests that harmony skips the [–high] vowel to target the initial-syllable [+high] vowel. This in turn suggests that for these speakers, the medial [–high] vowel is (optionally) *conditionally transparent*. We have very little data on conditional transparency when more than one [+high] vowel occurs to the left of medial /a/, but preliminary data suggests that all [+high] vowels are realized as [+ATR] for speakers exhibiting conditional transparency. In any event, note that for both patterns the realization of medial /a/ depends on both the initial-syllable vowel to its left and the root vowel to its right, even when either or both of these dependencies is long-distance.

³The following are rough translations of the examples in (8): (a) “S/he does not climb”; (b) “I do not climb”; (c) “I will climb”; (d) “I no longer climb”; (e) “I am no longer climbing”; (f) “I am no longer coming to climb”; (g) “I am no longer coming to climb (defiant)”; (h) “S/he is no longer coming to climb (defiant)”.

2.3 Analysis

2.3.1 Active value

Determining which feature value is active, as [van der Hulst & van der Weijer \(1995, p. 504\)](#) note, can be challenging in patterns of root-controlled harmony. That being said, several facts point to [+ATR] being the active feature value in Tutrugbu (see also [Casali 2012](#) on diagnosing feature value activity). First, when a vowel is not assimilated to the ATR value of the root, it always surfaces as [−ATR]. In the examples in (8c–g), for example, all prefix vowels surface as [−ATR] because both parts of the blocking condition are present. Additionally, morphemes to the right of the root do not generally undergo harmony, surfacing as [−ATR] (10). In (10a,b), the plural suffix, which may only attach to human roots, surfaces as [−alɪ] regardless of the root’s ATR value. In (10c–f), the definite enclitic surfaces as [=í] irrespective of the root’s ATR value.

- (10) Invariant [−ATR] suffixes
- | | | | |
|----|------------|------------|----------------|
| a. | /a-ka-alɪ/ | [a-ka-alɪ] | ‘C1-father-PL’ |
| b. | /a-lẽ-alɪ/ | [e-lẽ-alɪ] | ‘C1-mother-PL’ |
| c. | /a-dzĩ=í/ | [a-dzĩ=í] | ‘C1-woman=DEF’ |
| d. | /a-ɲí=í/ | [a-ɲí=í] | ‘C1-man=DEF’ |
| e. | /ɔ-sí=í/ | [o-sí=í] | ‘C3-tree=DEF’ |
| f. | /ka-dé=í/ | [ke-dé=í] | ‘C7-back=DEF’ |

In other words, when harmony does not apply, affix vowels surface as [−ATR], which is good evidence that [+ATR] is active. For Akan, [Casali \(2012\)](#) suggests that cross-word harmony and the form of the independent pronouns further support the activity of [+ATR]. As in Akan, [+ATR] may optionally spread across word boundaries in Tutrugbu (11). As far as we are aware, this phrasal ATR harmony may only target [+high] vowels. In (11a), the [+ATR] root /bwi/ ‘issue’ triggers harmony on the prefix /kɪ/, and in (11b), this same root triggers harmony on both its prefix and the preceding object pronoun, /mɪ/. Observe that the verb, /b^hɪtɪ/ ‘do’ is unaffected by phrasal harmony here, and is realized with its underlying [−ATR] specification. And yet, in (11c), /bwi/ triggers harmony on its prefix and the preceding verb, /b^hɪtɪ/ ‘do’. In this context, the underlyingly [−ATR] vowels of the verb are assimilated to the [+ATR] value of /bwi/. Similarly, in (11d), the verb /sɪ/ ‘say’ is unaffected by the ATR value of the following root, surfacing as [−ATR]. In (11e), though, this verb undergoes harmony from the following verb root /dʒi/, and is pronounced as [si]. In both sets of examples, verbs that are underlyingly [−ATR] optionally undergo phrasal [+ATR] harmony. While phrasal [+ATR] spreading is widespread in our data, [−ATR] spreading is unattested.

- (11) Phrasal [+ATR] spreading
- | | | | |
|----|-----------------------------------|-----------------------------------|---------------------------|
| a. | /gɪ bɔ-b ^h ɪtɪ kɪ-bwi/ | [gɪ bɔ-b ^h ɪtɪ kɪ-bwi] | ‘REL 1P-do C5-issue’ |
| b. | /b ^h ɪtɪ mɪ kɪ-bwi/ | [b ^h ɪtɪ mɪ kɪ-bwi] | ‘do 1S.OBJ C5-issue’ |
| c. | /kɪ-b ^h ɪtɪ kɪ-bwi/ | [kɪ-b ^h ɪtɪ kɪ-bwi] | ‘C5-do C5-issue’ |
| d. | /pɪ a-sɪ ba-baɖi/ | [pɪ a-sɪ be-be-dʒi] | ‘then 3S-say 3P-FUT-look’ |
| e. | /ɪ-sɪ i-dʒi ko/ | [i-sɪ i-dʒi ko] | ‘1S-say 1S-look just’ |

[Casali \(2012\)](#) also considers the independent form of the personal pronouns to be indicative of the underlying ATR value of harmonic affixes more generally. Independent pronouns occur as separate words, while their dependent counterparts occur as prefixes. In Akan, the independent forms are all [−ATR], supporting the claim that [−ATR] is the unmarked, underlying form of alternating affixes. This same generalization holds for Tutrugbu. Independent pronouns are very similar to their dependent (prefixed) counterparts in segmental form, and in all cases surface with [−ATR] vowels (12). According to Casali’s diagnostics, the [−ATR] status of the independent pronouns lends further support to [+ATR] spreading.

(12) Independent and dependent subject pronouns

	Independent	Dependent	Gloss
a.	[mɪ]	[ɪ]~[i]	1S
b.	[wɔ]	[ɔ]~[o]	2S
c.	[jɪ]	[a]~[e]	3S
d.	[bɔlɔ]	[bɔ]~[bu]	1P
e.	[wɔnɔ]	[nɔ]~[no]	2P
f.	[balɪ]	[ba]~[be]	3P

2.3.2 Abstract vowels

As noted in §2.1, we assume that Tutrugbu has a nine-vowel inventory requiring two abstract [+high, –ATR] vowels, /ɪ ʊ/, which are phonetically realized as mid [ɛ ɔ] but which we consistently represent as [ɪ ʊ] in our examples. This abstract analysis is justified for several reasons.

First, these vowels pattern consistently as [+high] with respect to rounding harmony. In (5b,e), even the [–ATR] allomorph of the negation prefix, which is phonetically mid (but transcribed in (5b) as [tɪ]), does not undergo progressive rounding harmony, and we can attribute this to the fact that rounding harmony only targets [–high] vowels. Rounding harmony is also only triggered by [–high] vowels, and so the abstract high vowel /ʊ/ of the first-person plural prefix does not trigger rounding harmony on the future prefix in (6b) or (7d), despite being phonetically mid.

Along with their inertness as triggers and targets of rounding harmony, the phonological status of these vowels is evident in their actual ATR alternations. For example, the second-person singular prefix alternates between phonetic [ɔ] and [o] while the first-person plural prefix alternates between phonetic [bɔ] and [bu] (our phonological surface [bɔ] and [bu]). If, as we have argued in §2.3.1, [–ATR] is the underlying feature value, its [+ATR] counterpart is not able to be inferred from its faithful phonetic realization. Specifically, it which phonetic [ɔ] alternates with [o], and which alternates with [u]? This problem appears insurmountable if both surface [ɔ] vowels are treated equivalently.

We have thus chosen to mark the vowels that alternate with [+high, +ATR] vowels as [+high], but this is not the only possible analysis. One alternative is to underlyingly specify the vowels we’ve analyzed as /ɪ ʊ/ as [+ATR] /i u/. Possible support for this alternative comes from speakers who (optionally) produce the pattern of conditional transparency described in §2.2. Recall that when a medial [–high] vowel and an initial-syllable [+high] vowel co-occur, these speakers may produce the [+high] vowel(s) as [+ATR], despite the [–high] vowel surfacing as [–ATR] [a]. A possible alternative to the conditional transparency analysis is that in this context, prefix vowels to the left of blocking [a] may surface in accordance with their underlying ATR specifications. For these speakers, at least, there would be a seven-vowel system, with [+high] vowels underlyingly specified as [+ATR] in contrast with the [–high] vowels. Note that regardless of whether the conditional transparency analysis or this alternative is correct, the generalization stands that harmony is blocked when an initial-syllable [+high] vowel co-occurs with a medial [–high] vowel, in unbounded circumambient fashion.

A seven-vowel analysis with underlying /i u/ cannot account for the phrasal [+ATR] harmony described in (11), however. As noted above, in all those examples, the verb roots are clearly [–ATR], but may surface as [+ATR] if followed by a [+ATR] word. Since these are roots, and not affixes, one cannot simply stipulate that the vowels in a word like /b^hɪtɪ/ ‘do’ are [+ATR]. This verb root is always preceded by [–ATR] prefixes in our data, even in (11c) where it undergoes phrasal [+ATR] harmony. This brings us back to the original point: one cannot infer the [+ATR] counterpart of the vowels in question if they are underlyingly specified as [–high, –ATR]. If the vowels in /b^hɪtɪ/ are simply [–high, –ATR], then why do these vowels surface as [i] and not [e] when affected by phrasal [+ATR] harmony? To account for these facts, one must analyze these vowels as underlyingly [+high]. Since phrasal harmony prevents one from assuming that they are [+high, +ATR], the best analysis requires a nine-vowel inventory with two abstract [+high, –ATR] vowels.

One final typological point is worth mentioning here. As an anonymous reviewer notes, African languages in which the [+high] vowels exhibit ATR contrasts show almost exclusive [+ATR] dominance, whereas languages in which the [-high] vowels exhibit no ATR contrasts show no clear typological tendencies (Casali 2003, 2008, 2012, 2016, 2017, Rose 2018). Despite historical changes to its vowel inventory, Tutrugbu vowels pattern like those in neighboring Tafi, which has maintained what we take to be the proto-language's nine-vowel inventory with an ATR contrast among the high vowels (see also Essegbey 2009, p. 40). The structure of the [-high] portion of the inventory is somewhat distinct from canonical African nine-vowel systems: the low vowel /a/ pairs with mid /e/, whereas in most nine-vowel systems the low vowel has no harmonic pair. If the presence of contrastive ATR values for the [+high] vowels is predictive of feature value activity, our nine-vowel analysis is consistent with the expected dominance of [+ATR] in an African language with nine phonological vowels.

3 Unbounded circumambience

The Tutrugbu ATR harmony pattern described in the previous section instantiates what Jardine (2016) dubs an *unbounded circumambient* process.

- (13) An unbounded circumambient process is a process:
- a. whose application is dependent on information (e.g. the presence of a trigger or blocker) on both sides of the target; [= *circumambient*]
 - b. in which, on both sides, there is no bound on how far this information may be from the target. [= *unbounded*]

In Tutrugbu, the surface quality of prefix vowels is dependent on three factors: the ATR value of the root, the height of the initial prefix vowel, and the presence or absence of a medial non-high prefix vowel. As shown in (8), there appears to be no bound on the potential distance between these three factors; the only constraint on their distance is the productivity of the language's morphology. For these reasons, Tutrugbu ATR harmony satisfies the criteria for unbounded circumambience.

Compared to the patterns previously identified as unbounded circumambient, Tutrugbu ATR harmony stands out as a segmental as opposed to a tonal process. In fact, for Jardine (2016), one reason to single out unbounded circumambient processes as a class is to characterize a typological asymmetry between tonal and segmental phenomena, namely that unbounded circumambience is more prevalent (if not unique) among tonal processes than among segmental processes. Jardine (2016) attributes this asymmetry to the computational expressivity required to describe unbounded circumambient patterns. He argues that tonal patterns are capable of commanding greater computational expressivity than segmental patterns are, and thus concludes that tone should be viewed as an exception to hypotheses concerning the upper bound on the expressivity of phonology. In the following section, we briefly review these hypotheses and introduce the computational machinery necessary to capture unbounded circumambient processes.

4 Computational requirements for unbounded circumambience

The expressivity of phonological grammars comprising ordered SPE-style rewrite rules (Chomsky & Halle 1968) corresponds to the class of regular string relations (Johnson 1972, Kaplan & Kay 1994). However, many phonological input-output maps do not require the full expressivity of regular relations.

Synchronically attested metathesis, partial reduplication, consonant harmony and dissimilation patterns are all SUBSEQUENTIAL (Chandlee *et al.* 2012, Chandlee & Heinz 2012, Payne 2017, Luo 2017). Moreover, Chandlee (2014)'s analysis of the PBase (Mielke 2007), a database of phonological patterns, shows that most are describable using a highly restricted subclass of the subsequential functions.⁴ Finally, vowel harmony

⁴As Chandlee (2014) notes, the PBase is a set of analyses, not a typologically representative set of cross-linguistic data — but it is the closest thing to such a typologically representative set that is currently available.

patterns analyzed in Nevins (2010) have also been shown to be subsequential (Gainor *et al.* 2012), with the sole exception of bidirectional harmony in Woleaian. For this reason, Gainor *et al.* (2012) argue that a more restrictive hypothesis better captures the minimum computational expressivity necessary to describe phonological patterns: the SUBSEQUENTIAL HYPOTHESIS (see also Heinz 2018).

Under this hypothesis, the most complex computational machinery necessary to model phonological patterns is that of subsequential functions (perhaps first suggested by Mohri 1997, p. 279). However, Heinz & Lai (2013) demonstrate that bidirectional stem-controlled and dominant-recessive vowel harmony patterns are not subsequential, and propose instead that phonological patterns are at most weakly deterministic, a class they tentatively define in terms of a restriction on compositions of two subsequential functions.

Jardine (2016) discusses a number of tonal patterns that are neither subsequential nor weakly deterministic, and shows that this class of unbounded circumambient tonal patterns requires the strictly greater expressivity of non-deterministic regular functions. Most significantly in the present context, Jardine (2016) argues that there is a computational difference between tonal and segmental phonology: while segmental phonology may be restricted to the class of subsequential functions and their weakly deterministic compositions, tonal phonology requires the expressive power of non-deterministic regular functions.

While regular relations and their subclasses can be represented in many ways, including ordered SPE-style rewrite rules, suitably restricted Optimality Theory grammars (Riggle 2004), and finite-state transducers (FSTs), we represent such mappings as FSTs in this paper for two related reasons: much work characterizing regular relations and their subclasses uses this formalism, and consequently, existing work on the complexity of phonology does as well. FSTs represent string-to-string functions in a way that emphasizes incremental calculation, proceeding symbol by symbol from one end of the input string to the other and restricting the amount of information about the observed prefix of the input that can be ‘remembered’ while deciding what to output at each step. Such differences in the amount and type of information a transducer is able to store can define more vs. less expressive classes of transducers, which can in turn be used to describe differences in the amount and type of information required to express different phonological patterns. For more detailed introductions to finite state transducers and their relation to phonology, we refer the reader to Jardine (2016), Kaplan & Kay (1994), and Mohri (1997). In the next three subsections we review definitions, key properties, and attendant phonological examples of subsequential functions, weakly deterministic regular functions, and non-deterministic regular functions.

4.1 Subsequentiality

A subsequential finite state transducer (FST) τ can be defined by seven parameters:

- Q , a finite set of states,
- Σ , a finite set of symbols representing the input alphabet,
- Δ , a finite set of symbols representing the output alphabet,
- $q_0 \in Q$, a distinguished initial state,
- $\delta: Q \times \Sigma \rightarrow Q$, a state transition function,
- $\omega: Q \times \Sigma \rightarrow \Delta^*$, an output function,⁵ and
- $\sigma: Q \rightarrow \Delta^*$, a partial function that assigns strings to final states.

Intuitively, a subsequential transducer is an FST whose incremental behavior is always DETERMINISTIC. That is, state transitions and output strings are deterministic functions of the current state and input symbol, and the string-to-string function $\tau: \Sigma^* \rightarrow \Delta^*$ defined by a subsequential FST is also a deterministic mapping: every full input string is associated with at most one full output string.

⁵A transducer with an output function that can map each input symbol to a string of output symbols is a *word* (or *asynchronous*) transducer; if ω can only map any given input symbol to a single output symbol, it is a *letter* (or *synchronous*) transducer. Almost any word transducer can be converted to a letter transducer (Roche & Schabes 1997, Ch. 1). We make use of letter transducers everywhere except when analyzing Copperbelt Bemba in §4.3.

Subsequential FSTs can be divided into two partially overlapping classes based on the directionality of their computation (Chandlee 2014, Ch. 3). Left-subsequential FSTs read input strings from left to right, while right-subsequential FSTs read input strings from right to left. When using subsequential FSTs to model vowel harmony patterns, this distinction in directionality of computation maps intuitively onto the directionality of the harmony pattern. Canonical progressive harmony patterns are modeled with left-subsequential FSTs, and canonical regressive harmony patterns are modeled with right-subsequential FSTs.

In Figure 2 (see the Appendix for this and other figures), we provide an example of a left-subsequential FST which models the progressive rounding harmony pattern found in Turkish; some data exhibiting this pattern are shown in (14). Rounding spreads left to right from roots to suffixes; [+high] vowels undergo harmony (14f,g) while [−high] vowels block harmony (14h–j).

(14) Turkish progressive rounding harmony

	[−round] root	gloss		[+round] root	gloss
a.	ip-in-i	‘rope-2S.POSS-ACC’	f.	jyz-yn-y	‘face-2S.POSS-ACC’
b.	el-in-i	‘hand-2S.POSS-ACC’	g.	køj-yn-y	‘village-2S.POSS-ACC’
c.	ip-ler-i	‘rope-PL-ACC’	h.	jyz-ler-i	‘face-PL-ACC’
d.	el-ler-i	‘hand-PL-ACC’	i.	køj-ler-i	‘village-PL-ACC’
e.	ip-in-de	‘rope-2S.POSS-LOC’	j.	jyz-yn-de	‘face-2S.POSS-LOC’

In (15)–(17) we provide a ‘running tape’ representation of the mapping performed by the FST shown in Figure 2, using the word *jyz-yn-de* (14j) to illustrate both rounding harmony and its blocking. To begin: since harmony is stem-controlled in the language, the FST outputs all segments to the left of the root-suffix boundary (symbolized as \surd) without modification (15). To be clear, the FST does not as its first operation map the whole substrings $\surd jyz \surd$ to itself; it processes each input symbol incrementally. We refrain from showing each of the first five steps separately, and make similar abbreviatory choices in later examples.

(15) Turkish left-subsequential FST tape, stage 1: faithful root map

<i>input</i>	⊗	j	y	z	\surd	i	n	d	e	⊗
<i>output</i>	⊗	j	y	z	\surd					

A suffix with a [+high] vowel is then introduced as input, and since the roundness of the root vowel is known, the output function emits a vowel matching the roundness of the root in (16). (Again, the two symbols of the suffix are technically processed incrementally. Since consonants do not participate in the harmony process, they are always mapped faithfully, and we thus refrain from showing these steps separately.)

(16) Turkish left-subsequential FST tape, stage 2: [+high] suffix map

<i>input</i>	⊗	j	y	z	\surd	i	n	d	e	⊗
<i>output</i>	⊗	j	y	z	\surd	y	n			

A suffix with a [−high] vowel is then introduced as input. This vowel is mapped faithfully, since [−high] vowels block rounding harmony. The end of the word is then reached and the computation ends (17).

(17) Turkish left-subsequential FST tape, stage 3: [−high] suffix map; end of computation

<i>input</i>	⊗	j	y	z	\surd	i	n	d	e	⊗
<i>output</i>	⊗	j	y	z	\surd	y	n	d	e	⊗

In this way, progressive harmony patterns can be modeled with left-subsequential FSTs — and in similar fashion, regressive harmony patterns can be modeled with right-subsequential FSTs. In the next subsection, we define and discuss weakly deterministic regular functions, characterized by a restricted composition of left- and right-subsequential FSTs.

4.2 Weak determinism

The ordering of rewrite rules $\rho_1 < \rho_2 < \dots < \rho_n$ in an SPE-style analysis corresponds to the ordered composition of associated string-to-string functions $\phi_{\rho_n} \circ \dots \circ \phi_{\rho_2} \circ \phi_{\rho_1}$. While the composition of any two subsequential functions going in the same direction can only yield another subsequential function (Mohri 1997), a function defined by the composition of subsequential functions going in opposite directions can capture any regular function, as detailed in the next subsection. Weakly deterministic regular functions (the class ‘WD’ in Figure 1) are described by Heinz & Lai (2013) as those FSTs that can be defined as the composition of two subsequential functions going in opposite directions such that the two functions do not use an intermediate alphabet containing symbols not present in the input alphabet.⁶

- (18) A regular string-to-string function $\tau: X^* \rightarrow Y^*$ is weakly deterministic iff there exist two subsequential functions $I: X^* \rightarrow X^*$ and $O: X^* \rightarrow Y^*$ such that O is either left- or right-subsequential, I is the other, and $\tau = O \circ I$.

This definition of weakly deterministic regular functions is designed to pick out functions with two notable properties. First, this class of functions is able to capture bidirectional patterns that no right- or left-subsequential function can on its own. Second, the increased expressivity of this class is constrained by a restriction: no extra intermediate symbols. This is ensured by the condition that the output alphabet of the first (‘inner’) subsequential function, I , is the same as the input alphabet of both functions.

Without such a restriction, the composition of two subsequential functions is guaranteed to be a function, but not necessarily a subsequential one (Elgot & Mezei 1965). In a weakly deterministic function, the behavior of the second (‘outer’) function does not depend on any form of ‘mark-up’ deposited by the first function into the intermediate representation, and the restrictiveness of this class of patterns is intended to follow from the definition’s prohibition of an intermediate alphabet with extra symbols. *Without* this restriction, the inner function could use additional symbols to effectively provide unbounded lookahead for the outer function, allowing the outer function to behave deterministically given this marked-up version of the input string.

At this juncture, it is important we clarify that splitting a phonological process into the composition of multiple finite transductions does not impact the formal status or complexity of the overall transduction. In formalisms that use cyclic rule application or level-ordering, derivational stages of input-output maps are given formal interpretations and theoretical significance. In contrast, there is no formal status given to the non-surface outputs of intermediate transductions in current work exploring the subregular hierarchy (Chandlee & Heinz 2018, Chandlee *et al.* 2018). In this way, the FLT framework adopted here is similar to Optimality Theory (OT), where the analytical focus is on properties of holistic input-output maps, regardless of whether they are characterized as multiple independent processes in other formalisms; here, too, only properties of the total input-output mapping are relevant to a pattern’s complexity. However, unlike OT, the way in which inputs are mapped to their final output in FLT phonology can vary and therefore requires explication and justification. To this end, breaking a pattern into multiple transductions serves two interrelated purposes orthogonal to the minimum expressivity required to describe the overall pattern: (i) to aid human interpretability and reasoning about the overall transduction, and (ii) to validate that the simplest overall transduction has been selected (e.g. by showing that a pattern can be generated as the composition of multiple single-direction subsequential transductions, one substantiates the claim that the pattern is subsequential). Although some individual transductions in a composition may resemble what would be considered an independent process in other formalisms, it is critical to keep in mind that this is for convenience and interpretability and that these individual transductions do not have the same formal status as independent processes in other analytical frameworks.

⁶The full definition includes one additional condition we set aside for clarity of exposition here; our goal here is to communicate the intuition behind Heinz & Lai’s definition.

For example, [Heinz & Lai \(2013\)](#) show that weakly deterministic functions are capable of describing bidirectional harmony patterns. To illustrate this process, Figures 3 and 4 show two subsequential FSTs, the composition of which models bidirectional ATR harmony in Degema ([Keri 1997](#), [Archangeli & Pulleyblank 2007](#)). The pattern in Degema differs from that of Turkish in two key respects: the harmonizing feature and directionality. First, the feature which participates in harmony is advanced tongue root (ATR), which results in the following alternations /i-ɪ/, /u-ʊ/, /e-ɛ/, /o-ɔ/, and /ə-a/. Second, affixes on *both* sides of a root agree in ATR with the root (19).⁷

(19) Degema bidirectional ATR harmony

	[-ATR] root	gloss		[+ATR] root	gloss
a.	ʊ-fʊ-a	‘state of being white’	c.	u-bi-ə	‘state of being black’
b.	ʊ-bɔm-am	‘beating’	d.	u-der-əm	‘cooking’

In (20)–(25) we provide a running tape representation of the function performed by the FSTs in Figures 3 and 4, using the word [u-bi-ə] (19c). We begin with the left-subsequential function in Figure 3.⁸

(20) Degema inner, left-subsequential FST tape, stage 1: faithful prefix map

<i>input</i>	⊗	ʊ	√	b	i	√	a	⊗
<i>output</i>	⊗	ʊ						

Following the prefix vowel, the FST encounters the prefix-root boundary, notated here with the symbol √. The transducer progresses through the input string and outputs all symbols between the two root boundary symbols faithfully (21).

(21) Degema inner, left-subsequential FST tape, stage 2: faithful root map

<i>input</i>	⊗	ʊ	√	b	i	√	a	⊗
<i>output</i>	⊗	ʊ	√	b	i	√		

In (22), the FST reaches a suffix vowel. Because the ATR value of the root is known, the FST outputs [ə] from input /a/.

(22) Degema inner, left-subsequential FST tape, stage 3: suffix vowel map; right edge reached

<i>input</i>	⊗	ʊ	√	b	i	√	a	⊗
<i>output</i>	⊗	ʊ	√	b	i	√	ə	⊗

Following the application of this inner function, we see that affixes to the right of the root have been appropriately harmonized, but affixes to the left of the root have not. To capture the bidirectionality of harmony in Degema, we compose the left-subsequential function in Figure 3 with the right-subsequential function in Figure 4, taking the output of (22) and applying the right-subsequential function to it. To keep track of the derivation, we add another tape to our running tape representation below. The top tape represents the *initial input*, prior to application of the left-subsequential function; the middle, *intermediate* tape represents the output of the left-subsequential function and the input of the right-subsequential function. The new bottom tape represents the *final output* of the computation.

The right-subsequential function in (23) mirrors the left-subsequential function that was previously applied. The computation begins from the right-hand end of the input string, and upon reaching the first vowel in the string, the vowel is output faithfully.

⁷Note that Turkish lacks prefixes, so harmony may only proceed in one direction. See [Baković \(2000\)](#) for discussion.

⁸The decision to treat the left-subsequential function as the inner function is arbitrary.

- (23) Degema outer, right-subsequential FST, stage 1: faithful suffix vowel map

<i>initial input</i>	⊗	ʊ	√	b	i	√	a	⊗
<i>intermediate</i>	⊗	ʊ	√	b	i	√	ə	⊗
<i>final output</i>							ə	⊗

Following the suffix vowel, the FST encounters the root-suffix boundary symbol, and the transducer outputs all characters between the root boundary characters faithfully (24).

- (24) Degema outer, right-subsequential FST, stage 2: faithful root map

<i>initial input</i>	⊗	ʊ	√	b	i	√	a	⊗
<i>intermediate</i>	⊗	ʊ	√	b	i	√	ə	⊗
<i>final output</i>			√	b	i	√	ə	⊗

Finally, in (25) the FST reaches the initial, presently disharmonic prefix vowel. The ATR value of the root is known at this point, and the FST outputs a vowel matching the root value for the harmonic feature.

- (25) Degema outer, right-subsequential FST, stage 3: prefix vowel map; end of computation

<i>initial input</i>	⊗	ʊ	√	b	i	√	a	⊗
<i>intermediate</i>	⊗	ʊ	√	b	i	√	ə	⊗
<i>final output</i>	⊗	u	√	b	i	√	ə	⊗

The computation is now complete, and the initial input has been successfully harmonized to the final output form observed in Degema. The analysis of this harmony pattern requires the composition of two subsequential functions, but maintains the alphabet size of the initial input throughout the application of both functions, satisfying the definition of a weakly deterministic function given by [Heinz & Lai \(2013\)](#).

In the next subsection, we describe non-deterministic functions and a set of phonological maps which require non-determinism to be described — unbounded circumambient patterns.

4.3 Non-determinism

As noted in §4.1, a subsequential transducer $\tau: X^* \rightarrow Y^*$ defines a string-to-string function that is deterministic in its input string and has state transition and output functions that are deterministic in the current state and input symbol: every input string $w \in X^*$ is mapped by τ to at most one string in Y^* and any given (state, input symbol) pair is mapped by δ and ω to at most one state and at most one output string, respectively. If τ can map at least one input string to more than one output string, then τ is a non-deterministic function on strings; it is a string *relation*. In contrast, a transducer that maps every input string to at most one output string is said to be *functional* or *single-valued*. If there are any (state, input symbol) pairs such that a transducer can ‘choose’ from among a set of two or more states to transition to, or from among a set of two or more strings to output, then that transducer’s transition and/or output functions are non-deterministic.

Following [Heinz \(2018, §6.2.5\)](#), we exclusively use the term *regular relations* (abbreviated ‘RR’) to refer to the most general class of string-to-string mappings definable using FSTs — the class that includes transducers which are not functional. We also follow [Heinz \(2018, §6.2.5\)](#) in using *non-deterministic regular functions* (‘ND’) to refer to the class of transducers that are functional, but that can have non-deterministic state and/or output functions. Such transducers can have temporarily and incrementally ambiguous input strings, but the point of disambiguation may be an unbounded distance away from the location of the read/write head at the moment of ambiguity.

As [Elgot & Mezei \(1965\)](#) show, any regular function can be decomposed into two subsequential functions going in opposite directions, as long as the first function in the composition is allowed to enlarge the input alphabet:

- (26) A function $\tau: X^* \rightarrow Z^*$ is a regular function iff there exist two subsequential functions $I: X^* \rightarrow Y^*$ and $O: Y^* \rightarrow Z^*$ such that O is either left- or right-subsequential, I is the other, $X \subseteq Y$, and $\tau = O \circ I$.

As mentioned in the previous subsection, the intuition is that the first, inner function can effectively perform unbounded lookahead for the second function by ‘marking up’ intermediate strings with extra information (in the form of extra symbols that are in Y but not in X) that the second, outer function can then use to behave in a manner that is incrementally deterministic.

Jardine (2016) conjectures that unbounded circumambient processes are a class of patterns which require non-determinism, the full expressivity of regular relations.⁹ For this reason, to introduce this complexity class, we walk through Jardine’s analysis of tonal spreading in Copperbelt Bemba.

In Copperbelt Bemba (Bickmore & Kula 2013, Kula & Bickmore 2015; see also Pater 2018 for discussion), a high tone spreads unboundedly to the right word edge in phrase-final forms (27a–d). However, if another high tone intervenes between the first high tone and the word edge, then bounded ternary spreading takes place instead (27e–g). We schematize this pattern in (28).¹⁰

- (27) Copperbelt Bemba tone spreading

a.	/u-ku-tul-a/	[ù-kù-tùl-à]	‘to pierce’
b.	/bá-ka-fik-a/	[bá-ká-fíká]	‘they will arrive’
c.	/bá-ka-mu-londolol-a/	[bá-ká-mú-lóondólól-á]	‘they will introduce 3.SG’
d.	/tu-ka-páapaatik-a/	[tù-kà-páápáátík-á]	‘we flatten’
e.	/bá-ka-pat-a kó/	[bá-ká-pát-à kó]	‘they will hate’
f.	/bá-ka-londolol-a kó/	[bá-ká-lóondòlòl-à kó]	‘they will introduce them’
g.	/tu-ka-béleeŋg-el-an-a kó/	[tù-kà-béléeŋg-él-àn-à kó]	‘we will read for each other’

- (28) Schema for Copperbelt Bemba tone spreading

a.	$L^n \rightarrow L^n$	no H present
b.	$\dots HL^m \rightarrow \dots HH^m$	unbounded H spreading in the absence of a following H
c.	$\dots HL^n H \dots \rightarrow \dots HHHL^{n-2} H \dots$	ternary H spreading in the presence of a following H, $n \geq 2$
d.	$\dots HLH \dots \rightarrow \dots HHH \dots$	binary spreading up to a following H

In (29)–(34) we show ternary spreading with a running tape representation of an input string, /HLLLH/. The input-output mapping here is composed of a left-subsequential FST as well as a right-subsequential FST that reads the output of the left-subsequential FST as its input and outputs the actual attested form. The order between the two FSTs is not arbitrary: the first/inner, left-subsequential FST adds mark-up that the second/outer, right-subsequential FST then takes advantage of.¹¹

Generally speaking, the left-subsequential FST outputs all L tones without modification until encountering a H tone, upon which the H ‘spreads’ to two following L tones. For all following L tones, the FST outputs a distinct symbol (notated as Ψ here) not contained in the input alphabet, because it cannot determine whether the output should be an L (or an H) tone until it does (or does not) encounter another H tone later in the word.

⁹Smith & O’Hara (2019) and O’Hara & Smith (2019) take advantage of loopholes in Heinz & Lai (2013)’s tentative definition of weakly deterministic functions to offer analyses of Copperbelt Bemba that *appear* to be weakly deterministic, obeying the letter but violating the spirit of Heinz & Lai (2013)’s definition.

¹⁰Ternary spreading is analyzed as two separate processes in Bickmore & Kula (2013) and Kula & Bickmore (2015). The motivation for their analysis and the constraints on ternary spreading are not germane for the present paper.

¹¹As Jardine (2016, 265ff.) describes in more detail, it is possible to allow the FST to ‘wait’ a finite number of states; these allow the machine to look ahead and access information on the far side of the target segment before deciding what to output for that target segment. To preserve subsequentiality while introducing ‘waiting’, there must be an a priori-known bound on the number of wait states (here equivalent to the look-ahead context having an *a priori* bounded length). That is not possible here as a result of unbounded circumambience.

Since a second H tone may in principle occur an unbounded distance from the first, the FST cannot ‘wait’ and so instead outputs the placeholder Ψ symbol, indicating that the preceding context matches the left-hand side of the structural description for unbounded spreading. The FST iteratively outputs all subsequent input L tones as Ψ until it encounters either an input H, which is output without modification, or the right word edge (See Figure 5).

With the input /HLLLH/, the inner, left-subsequential FST first reads the word-initial H tone and initiates ternary spreading to the immediately following two L tones (29).

- (29) Copperbelt Bemba inner, left-subsequential FST, stage 1: ternary spread

<i>input</i>	×	H	L	L	L	H	×
<i>output</i>	×	H	H	H			

Next, the FST reads the third L tone from the input, but cannot determine at this point whether to output an H or an L tone, because the presence or absence of a following H tone is unknown. The FST thus outputs a new symbol not contained in the input alphabet, Ψ (30). This new symbol will ultimately provide the outer, right-subsequential FST with the information necessary to determine all tone values for the word.

- (30) Copperbelt Bemba inner, left-subsequential FST, stage 2: mark-up

<i>input</i>	×	H	L	L	L	H	×
<i>output</i>	×	H	H	H	Ψ		

Progressing through the input string, the inner FST continues as described above. In (31), the FST reads a second input H tone and maps it faithfully, and then reaches the right edge.

- (31) Copperbelt Bemba inner, left-subsequential FST, stage 3: right edge reached

<i>input</i>	×	H	L	L	L	H	×
<i>output</i>	×	H	H	H	Ψ	H	×

The outer, right-subsequential FST now reads the output just produced by the inner, left-subsequential FST as its input and completes the input-output mapping (See Figure 6). Generally speaking again, the outer FST outputs all input L and H tones without modification, but maps intermediate Ψ according to the previously-read context. Proceeding from right to left, if the FST reads an H tone, then it outputs all Ψ as L; if it does not encounter H, then it outputs all Ψ as H. The outer FST is able to discern whether a second H tone is present in the word, and uses the mark-up passed from the inner FST to determine whether ternary or unbounded spreading occurs.

This is shown in (32)–(34) for the more specific form under discussion. First, the outer, right-subsequential FST reads the word-final H tone and outputs it faithfully.

- (32) Copperbelt Bemba outer, right-subsequential FST, stage 1: faithful H map

<i>initial input</i>	×	H	L	L	L	H	×
<i>intermediate</i>	×	H	H	H	Ψ	H	×
<i>final output</i>						H	×

Since an input H has been encountered, the FST outputs all Ψ as L in (33) and all H faithfully in (34). The result in this case is thus ternary rather than unbounded spreading from the initial H.

- (33) Copperbelt Bemba outer, right-subsequential FST, stage 2: mark-up resolution

<i>initial input</i>	×	H	L	L	L	H	×
<i>intermediate</i>	×	H	H	H	Ψ	H	×
<i>final output</i>					L	H	×

- (34) Copperbelt Bemba outer, right-subsequential FST, stage 3: left edge reached; computation ends

<i>initial input</i>	⊗	H	L	L	L	H	⊗
<i>intermediate</i>	⊗	H	H	H	Ψ	H	⊗
<i>final output</i>	⊗	H	H	H	L	H	⊗

Unbounded circumambient processes like tone spreading in Copperbelt Bemba can thus be analyzed as regular non-deterministic maps, either in the form of a single non-deterministic FST, as in [Jardine \(2016\)](#), or as the composition of two subsequential functions that may use an enlarged alphabet containing some symbols not present in the initial input alphabet.

4.4 Summary

The three levels of expressivity defined and exemplified in this section can be summarized as follows. Subsequential regular functions can describe unidirectional processes with bounded lookahead (and unbounded ‘lookbehind’), as in Turkish harmony.

Weakly deterministic functions are intended to be able to describe bidirectional processes where the first ‘pass’ is *not* allowed to behave as lookahead for, or otherwise affect the behavior of, the second pass, as in Degema.

[Jardine \(2016, §5.4\)](#) acknowledges two attested cases of apparent unbounded circumambience in segmental phonology, Sanskrit *n*-retroflexion ([Ryan 2017](#)) and Yaka height harmony ([Hyman 1998](#)). [Jardine](#) does not consider them equivalent to tonal patterns, however, claiming that such segmental patterns are ‘extremely rare.’ He suggests that the harmony patterns in Sanskrit and Yaka may not actually be unbounded.

In §5 we analyze ATR harmony in Tutrugbu, which further challenges the claim that segmental phonology is at most weakly deterministic. Looking ahead, we point to a number of other cases in §6.2 as evidence that unbounded circumambient vowel harmony patterns are more widely attested than previously thought.

5 Finite-state analysis of Tutrugbu ATR harmony

This section presents a finite-state analysis of ATR harmony and conditional blocking in Tutrugbu. We demonstrate that this pattern requires the same expressivity as tonal spreading in Copperbelt Bemba.

Since ATR harmony in Tutrugbu is regressive, the analysis begins with a right-subsequential FST that starts at the right edge of the input string and moves leftward. We first demonstrate a simple attempt at modelling ATR harmony below in (35)–(37), using the example [i-tí-wu] (8b). Since harmony is regressive and root-controlled in the language, all segments to the right of the root-prefix boundary (represented with \surd) are output without modification (35).

- (35) Tutrugbu right-subsequential FST, stage 1: faithful root map

<i>input</i>	⊗	i	t	í	\surd	w	u	⊗
<i>output</i>					\surd	w	u	⊗

In (36), the FST reads a prefix vowel and outputs it according to the ATR value of the root.¹²

- (36) Tutrugbu right-subsequential FST, stage 2: prefix vowel map

<i>input</i>	⊗	i	t	í	\surd	w	u	⊗
<i>output</i>			t	í	\surd	w	u	⊗

The right-subsequential FST outputs prefix vowels further away from the root in the same way as in (36). The output ATR value for a given prefix vowel depends on the output ATR value of the nearest following output vowel. In (37), the 1S prefix /i-/ is, like the vowel of the negation prefix /tí-/ , output as [+ATR]. The next symbol read is the left word edge symbol, and the computation is complete.

¹²The realization of consonants does not depend on ATR harmony, so prefix consonants are output without modification.

(37) Tutrugbu right-subsequential FST, stage 3: left edge reached; computation ends

<i>input</i>	×	ɪ	t	í	√	w	u	×
<i>output</i>	×	i	t	í	√	w	u	×

The input-output mapping shown in (35)–(37) models harmony when both blocking conditions are not met. If, however, an initial [+high] prefix and a [–high] medial prefix co-occur, then this right-subsequential FST cannot on its own properly determine whether a given prefix vowel will be realized as [+ATR] based solely on the nearest vowel to the right. Compare the forms in (38). In (38a), the FUT prefix is [+ATR] before the root /wu/ ‘climb’, but in (38b), the same prefix is [–ATR] even though it occurs before the same root.

(38) Near-minimal pair exemplifying blocking conditions

- a. e-be-wu ‘3S-FUT-climb’ all [–high] prefix vowels
- b. ɪ-ba-wu ‘1S-FUT-climb’ initial [+high] and medial [–high] prefix vowels

Since the right-subsequential FST does not have access to information to the left of the target vowel (that can in principle be an unbounded distance away), it cannot determine which allomorph of FUT should surface, [ba] or [be]. This indeterminacy precludes a subsequential analysis of Tutrugbu. If, however, we mimic the structure of the analysis provided for Copperbelt Bemba in §4.3, where the first FST is able to introduce intermediate mark-up into the derivation, the Tutrugbu pattern is analyzable.

Generally speaking, the first, right-subsequential FST proceeds leftward, outputting all high vowels in accordance with the root’s ATR value. If, after reading a [+ATR] root, the FST reads an input [–high] vowel, the transducer outputs Ψ and outputs all subsequent vowels as either Ψ (for further [–high] vowels) or \mathfrak{h} (for [+high] vowels). By doing so, this first FST passes information about the ATR value of the root and the presence of a potential blocker to the second, left-subsequential FST.

This analysis is illustrated in (39)–(41) using the example [ɪ-ba-wu] (38b). First, the right-subsequential FST, starting from the right-edge of the input, faithfully maps the root.

(39) Tutrugbu inner, right-subsequential FST, stage 1: faithful root map

<i>input</i>	×	ɪ	b	a	√	w	u	×
<i>output</i>				√	w	u	×	

Next, this inner FST encounters a prefix with a [–high] vowel. Having not yet determined the height of the initial prefix vowel, the [–high] prefix vowel is output with the new symbol Ψ that encodes its height and leaves its ATR value to be determined by the outer, left-subsequential FST.

(40) Tutrugbu inner, right-subsequential FST, stage 2: [–high] prefix vowel mark-up

<i>input</i>	×	ɪ	b	a	√	w	u	×
<i>output</i>			b	Ψ	√	w	u	×

Next, the inner FST encounters a prefix with a [+high] vowel. It happens to be the initial prefix in this case, but as happens with all [+high] prefix vowels, it is output with the new symbol \mathfrak{h} that encodes its height and leaves its ATR value to be determined. The left edge is then reached and this pass ends.

(41) Tutrugbu inner, right-subsequential FST, stage 3: [+high] prefix vowel mark-up; left edge reached

<i>input</i>	×	ɪ	b	a	√	w	u	×
<i>output</i>	×	\mathfrak{h}	b	Ψ	√	w	u	×

The outer, left-subsequential FST then proceeds from left to right using the output of the inner FST as its input. Upon encountering a \mathfrak{h} in the initial syllable, the outer FST ‘knows’ that the conditions for blocking have been met, because initial \mathfrak{h} indicates both that the root is [+ATR] and that there is a medial [–high] prefix vowel. Because \mathfrak{h} is in the initial syllable, this FST outputs all \mathfrak{h} and Ψ as [ɪ] and [a], respectively. In this way, this analysis of Tutrugbu parallels the non-deterministic analysis of Copperbelt Bemba in §4.3.

- (42) Tutrugbu outer, left-subsequential FST: mark-up resolved; right edge reached; computation ends

<i>initial input</i>	×	ɪ	b	a	√	w	u	×
<i>intermediate</i>	×	ɪ̃	b	Ψ	√	w	u	×
<i>final output</i>	×	ɪ	b	a	√	w	u	×

As noted earlier in §4.3, a subsequential FST can utilize ‘wait’ states to achieve (bounded) lookahead without increasing expressivity, but the maximum number of wait states (here equivalent to the amount of lookahead) must be known and fixed a priori. Given that the context to the left of a target [–high] vowel in Tutrugbu may be unboundedly long, then there is no single number of ‘waiting’ transition states that can model all of the possible data and capture the principled generalization describing it. In (8) we demonstrated that [–high] vowels could be separated from the initial syllable by a number of syllables with no principled upper bound. The generalization is that the realization of ATR on [–high] prefix vowels depends on both the ATR value of the root and the height value of the initial syllable. Furthermore, a given [–high] vowel may occur a potentially unbounded distance from both the root and the initial syllable. The conditional blocking pattern in Tutrugbu is thus unbounded circumambient, like the tonal processes analyzed in [Jardine \(2016\)](#).

6 Discussion

Formal language theory offers a valuable, framework-independent metalanguage for comparing linguistic formalisms and classifying phonological patterns in terms of formally well-characterized and independently-motivated categories of computational complexity and expressivity ([Heinz 2018](#)).

While the subregular program has excelled at identifying salient categories for phonological typology, we think the program is at its weakest when it comes to predicting and explaining typology. It has primarily done so by positing innate, categorical constraints, on a *post hoc* basis, on the hypothesis space human learners apply to phonology via a phonology-specific learning mechanism. In the subsections below we present evidence that segmental phonology is substantially more expressive than previously predicted, outlining what a more productive relationship between formal language theoretic phonology and typological explanation could look like, and how phonological theories should be evaluated.

6.1 How complex is phonology?

The first counterexamples to the subregular hypothesis as articulated in [Heinz \(2011a, b, 2018\)](#) came from the tonal patterns in [Jardine \(2016\)](#), which require the expressivity of non-deterministic regular functions. To uphold the subregular hypothesis, [Jardine \(2016\)](#) adds a qualification: *segmental* phonology is subregular, but *tonal* phonology is not constrained in the same way. [Heinz \(2018\)](#) writes:

“Jardine’s result [i.e. the existence of unbounded circumambient phonological patterns] is perhaps the most serious challenge to the Subsequential Hypothesis (or a revised Weakly Deterministic hypothesis) because the best characterization of Yaka vowel harmony seems to be that it is circumambient unbounded (Hyman 1998). However, this is the only known example of this type, and it is probably premature to reject the hypothesis on these grounds alone.”

In addition to the Tutrugbu pattern detailed above, we note in §6.2 a comparable number of segmental phenomena requiring the same level of expressivity as the tonal patterns in [Jardine \(2016\)](#) and Yaka, adding more counterexamples to any proposed subregular upper bound on the complexity of phonology (see [Avcu \(2018\)](#) for experimental evidence for the learnability of more complex patterns). This evidence shows that segmental phonology, like tonal phonology, is more expressive than previously thought, requiring the expressivity of non-deterministic regular functions.

In fact, there is some evidence that segmental patterns may require strictly *more* expressivity than the non-deterministic regular functions. As [Heinz \(2018, §6.2.5\)](#) notes, optional processes require non-deterministic mappings that are, unlike the Copperbelt Bemba and Tutrugbu patterns, non-functional (recall the discussion

at the beginning of §4.3). Optional processes thus require the more expressive class of regular relations. In the face of optionality, (Heinz 2018, p. 175) suggests that optionality may be “handled at a higher level of control than the individual transformation.” Although offloading optionality to some other part of the grammar effectively downplays the significance of these potential counterexamples to the subregular hypothesis, patterns of optionality like those listed in Vaux (2008) and others like iterative optionality in Icelandic umlaut (Anderson 1974) present challenges to the strong claim that segmental phonology is categorically subregular. In particular, in cases where an iterative process may be optional, there is no a priori bound on the number of potential alternations (Mohri 1997).

Moreover, some recent work suggests that segmental phonology may require more expressivity than the regular relations: Bowler (2013) and Bowler & Zymet (2019) demonstrate from a corpus of Warlpiri nouns that disharmonic nouns exhibit optional ‘majority rules’ harmony (Lombardi 1999, Baković 2000), a pattern that numerous linguists have claimed to be unattested, impossible, and pathological, given that it requires even more expressivity than the regular relations (Riggle 2004, Heinz & Lai 2013, Hulden 2017, Heinz 2018, Lamont 2018). Whatever conclusion future work comes to about the significance of these last two pieces of evidence, these patterns suggest that there is presently no clear subregular cap on the empirically observed expressivity of phonology — segmental or tonal.

6.2 Additional unbounded circumambient segmental patterns

In this subsection we briefly describe four additional cases of unbounded circumambient segmental patterns, all involving ATR harmony: Tafi (§6.2.1), Turkana (§6.2.2), Karimojong (§6.2.3), and Liko (§6.2.4). A few other segmental patterns the unboundedness of which is less clear are discussed in §6.2.5. The ATR harmony patterns of Tutrugbu, Tafi, Turkana, Karimojong, and Liko all quite clearly meet Jardine’s (2016) definition of unbounded circumambience in (13). Jardine’s (2016) claim that unbounded circumambient segmental patterns are significantly rarer than their tonal counterparts, and that they are therefore not within the computational bounds of segmental phonology, thus appears to have been premature.

6.2.1 Tafi

We have claimed that Tafi, a closely-related language, exhibits the same pattern of harmony as Tutrugbu. The motivated reader who consults Bobuafor (2013) will find no explicit description of conditional blocking in Tafi. However, upon careful examination of the numerous examples presented in Bobuafor’s dissertation, conditional blocking becomes apparent (43).¹³ Harmony obtains when a [+ATR] verb is preceded by only [+high] prefixes (43a) or only [–high] prefixes (43b). Harmony also obtains when a [+ATR] root is preceded by vowels of both heights, and the initial-syllable vowel is [–high] (43c). However, when the initial-syllable vowel is [+high] and is followed by a [–high] vowel, harmony is blocked by the [–high] vowel, just as in Tutrugbu (43d,e). The additional examples in (43f,g) demonstrate that blocking occurs at longer distances, since in these examples the initial-syllable high vowel and medial non-high vowel are not syllable-adjacent.

- (43) Conditional blocking in Tafi (Bobuafor 2013, p.c.)
- | | | | | |
|----|----------------|----------------|------------------------|------------------|
| a. | /bu-ú-bī/ | [bu-ú-bī] | ‘SM-PROG-be.cooked’ | p. 438, ex. 36 |
| b. | /a-ba-dzi/ | [e-be-dzi] | ‘3S.DEP-FUT-become’ | p. 272, ex. 28 |
| c. | /á-tí-ba-bí/ | [é-tí-be-bí] | ‘3S-NEG-FUT-be.cooked’ | p. 280, ex. 62 |
| d. | /lǔ-ba-bí/ | [lǔ-ba-bí] | ‘3S.DEP-FUT-be.cooked’ | p. 222, ex. 167b |
| e. | /kɪ-ba-dzí/ | [kɪ-ba-dzí] | ‘3S.DEP-FUT-be’ | p. 273, ex. 30 |
| f. | /lɪ-tí-ba-dzi/ | [lɪ-tí-ba-dzí] | ‘3S.DEP-NEG-FUT-be’ | (Bobuafor, p.c.) |
| g. | /lɪ-tí-ba-dzu/ | [lɪ-tí-ba-dzu] | ‘1S-NEG-FUT-build’ | (Bobuafor, p.c.) |

¹³We assume that input tonal specifications are identical to those in the output in these Tafi examples.

6.2.2 Turkana

Besides Tutrugbu and Tafi, Turkana also features a vowel harmony pattern that is unbounded circumambient (Dimmendaal 1983, Baković 2000).¹⁴ In Turkana, [+ATR] spreads bidirectionally from a dominant root or suffix, as shown below in (44). Prefix and other recessive vowels alternate, but the behavior of /a/ differs depending on whether it is to the left or to the right of a dominant vowel: /a/ to the left is opaque to harmony and does not alternate (as shown by the gerundial prefix in these examples), while /a/ to the right alternates between the [+low, –ATR] vowel [a] and the [–low, +ATR] vowel [o], with [o] occurring after [+ATR] dominant vowels (as shown by the epipatetic vowel in these examples, glossed ‘EPI’).¹⁵

- (44) Turkana ATR harmony
- | | | | |
|----|--------------------|--------------------|------------------------------|
| a. | /a-k-mək-a-kin-i/ | [a-k-mək-a-kin-i] | ‘GER-K-light.fire-EPI-DAT-V’ |
| b. | /a-k-ibus-a-kin-i/ | [a-k-ibus-o-kin-i] | ‘GER-K-drop-EPI-DAT-V’ |

A small subset of dominant suffixes in Turkana are [–ATR], and when a dominant [–ATR] suffix co-occurs with a [+ATR] root, the realization of the epipatetic vowel between them is neither [+low, –ATR] [a] nor [–low, +ATR] [o], but rather [–low, –ATR] [ɔ]. This is shown in (45). As above, in (45a) the epipatetic vowel surfaces as [o] after the [+ATR] root /ibus/ when no dominant [–ATR] suffix vowel follows. However, in (45b), a dominant [–ATR] suffix (underlined) occurs to the right of the epipatetic vowel. In this word, the epipatetic vowel surfaces as [ɔ].

- (45) Unbounded circumambience in Turkana ATR harmony
- | | | | |
|----|---------------------------|---------------------------|------------------------|
| a. | /ɛ-ibus-a-kin-i/ | [ɛ-ibus-o-kin-i] | ‘3-drop-EPI-DAT-V’ |
| b. | /ɛ-ibus-a-kin- <u>a</u> / | [ɛ-ibus-ɔ-kin- <u>a</u>] | ‘GER-drop-EPI-DAT-VOI’ |

The surface quality of a suffixal low vowel is thus not determinable based solely on whether there is a [+ATR] vowel to its left; it also depends on the presence or absence of a dominant [–ATR] suffix to its right. In other words, the realization of a suffixal low vowel depends on information a potentially unbounded distance away in both directions. ATR harmony in Turkana is thus unbounded circumambient. The realization of a suffix low vowel in Turkana is non-deterministic, since it depends on information a potentially unbounded distance away in both directions (see Figures 11 and 12 in the Appendix).

6.2.3 Karimojong

The pattern described above for Turkana is also attested in Karimojong, a related Nilotic language (Novelli 1985, Lesley-Neuman 2012). As in Turkana, the low vowel suffix alternates between [a] and [o] for ATR. Note specifically the alternation of the frequentive suffix, /an/, [an]~[on] in (46a,b). There are also dominant [–ATR] suffixes, like the itive suffix, /ɔr/, shown below (and underlined> in (46c,d). In (46c), the dominant [–ATR] itive suffix attaches right of the root, spreading its [–ATR] value to the root. Moreover, the itive suffix causes both the frequentive suffix and the root to surface as [–ATR] in (47d). Similar to Turkana, the surface quality of the frequentive suffix depends on both the ATR value of the root and the presence or absence of a dominant [–ATR] suffix, surfacing as [an], [ɔn], or [on].

- (46) Karimojong ATR harmony (Novelli 1985, pp. 214–225)
- | | | | |
|----|--------------------------|--------------------------|-----------------------------------|
| a. | /aki-tɔ-dɔŋ-an-akin/ | [aki-tɔ-dɔŋ-an-akin] | ‘INF-CAUS-handle.firmly-FREQ-DAT’ |
| b. | /aki-zi-dɔŋ-an-akin/ | [aki-zi-dɔŋ-on-okin] | ‘INF-CAUS-castrate-FREQ-DAT’ |
| c. | /aki-dɔŋ- <u>ɔr</u> / | [aki-dɔŋ- <u>ɔr</u>] | ‘INF-castrate-IT’ |
| d. | /aki-dɔŋ-ɔn- <u>ɔr</u> / | [aki-dɔŋ-ɔn- <u>ɔr</u>] | ‘INF-castrate-FREQ-IT’ |

¹⁴See also Noske (1996, 2001) for more on Turkana vowel harmony.

¹⁵Word-final vowels in the examples below are devoiced, see Dimmendaal (1983, §2.3.5) for discussion.

In (46d) the frequentive suffix exhibits a dependency on the ATR value of two syllable-adjacent vowels. Longer distance dependencies are also reported in Karimojong. In reduplicated stems, an epenthetic vowel is inserted immediately before suffixes. In (47a,b) the epenthetic vowel (which [Novelli 1985](#), p. 224 calls the “stem-enlarging vowel”, here glossed as ‘SE’) alternates based on the quality of the root: it surfaces as [ɔ] after the reduplicated stem [dɔŋɔdɔŋ] ‘pinch’ but as [o] after [doŋidoŋ] ‘castrate’. Thus the stem-enlarging vowel is like the frequentive, seen above. Also like the frequentive suffix, the epenthetic vowel takes on the [−ATR] value of a following itive suffix (47c). Yet, in (47d,e) both the stem-enlarging vowel and the itive suffix take on the value of a following dominant [+ATR] suffix, also underlined. In other words, the surface quality of the stem-enlarging vowel is conditioned by the potentially non-local ATR values of dominant morphemes on both its left and its right.

- (47) Unbounded circumambience in Karimojong ATR harmony ([Novelli 1985](#), pp. 225, 410)
- | | | | |
|----|-------------------------------|--|----------------------------|
| a. | /ɑki-tɔ-dɔŋɔdɔŋ-ɔ-ʊn/ | [ɑki-tɔ-dɔŋɔdɔŋ-ɔ-ʊn] | ‘INF-CAUS-pinch-SE-FREQ’ |
| b. | /ɑki-doŋidoŋ-ɔ-ʊn/ | [ɑki-doŋidoŋ-o-ʊn] | ‘INF-castrate-SE-FREQ’ |
| c. | /ɑki-doŋidoŋ-o-ɔr/ | [ɑki-doŋidoŋ-ɔ-ɔr] | ‘INF-castrate-SE-IT’ |
| d. | /ɛ-doŋodoŋ-ɔ-ɔr- <u>i</u> / | [ɛ-doŋodoŋ-o- <u>or</u> - <u>i</u>] | ‘1S-pinch-SE-IT-1P.IND.T1’ |
| e. | /ɛ-doŋodoŋ-ɔ-ɔr- <u>ete</u> / | [ɛ-doŋodoŋ-o- <u>or</u> - <u>ete</u>] | ‘3P-pinch-SE-IT-3P.IND.T2’ |

6.2.4 Liko

Liko, a Bantu language spoken in the Democratic Republic of the Congo, displays a slightly different pattern of unbounded circumambience ([Wit 2015](#)). ATR harmony is typically controlled by roots in Liko. Rightward harmony affects all vowels, while leftward harmony affects only the first prefix. In (48a), all affixes surface with their underlying, i.e. [−ATR] feature values, while in (48b) the [+ATR] root causes input /a/ to surface as [o]. The unboundedness of rightward harmony is seen in the three suffix alternations in (48c).

- (48) Liko ATR harmony ([Wit 2015](#))
- | | | | | |
|----|------------------|------------------|-----------------------|------------------|
| a. | /ta-púk-a/ | [ta-púk-a] | ‘1P-leave-FV’ | p. 77, ex. 3.27a |
| b. | /ta-bín-a/ | [to-bín-o] | ‘1P-dance-FV’ | p. 77, ex. 3.26c |
| c. | /ká-lut-án-ág-á/ | [kó-lut-ón-óg-ó] | ‘9B-pull-ASS-PLUR-FV’ | p. 82, ex. 3.38b |

Like the other languages discussed in this section, Liko possesses dominant [+ATR] and dominant [−ATR] morphemes. The negative enclitic, /=gʊ/, is invariably [−ATR] in (49). In (49a), the enclitic does not undergo harmony from a [+ATR] root although the preceding [+high] suffix does. When preceded by an underlying /a/, though, the enclitic not only resists [+ATR] harmony, but also prevents preceding low vowels from undergoing harmony (49b,c). In (49b), the enclitic blocks harmony on a single preceding /a/, and in (49c), the negative enclitic blocks harmony on both preceding low vowels.

- (49) Unbounded circumambience in Liko ATR harmony ([Wit 2015](#), pp. 94-96)
- | | | | |
|----|---------------------|---------------------|------------------------------------|
| a. | /ná-ká-bín-í=gʊ/ | [ná-kó-bín-i=gʊ] | ‘1S.PST-NEG-dance-FV=NEG’ |
| b. | /ná-ká-bín-á=gʊ/ | [ná-kó-bín-a=gʊ] | ‘1S.PST-NEG-dance-FV.PST=NEG’ |
| c. | /ná-ká-bín-ág-á=gʊ/ | [ná-kó-bín-ág-á=gʊ] | ‘1S.PST-NEG-dance-PLUR-FV.PST=NEG’ |

[Wit \(2015\)](#) argues that [+ATR] is the active feature value in the language, further arguing that alternating vowels are specified as [−ATR] underlyingly. In examples like (49b,c), the root value for [ATR] is not sufficient to determine whether suffixal /a/ undergoes harmony to [o]. The presence or absence of a dominant enclitic must be known in order to map suffix low vowels to their attested output forms.

One might object to treating Turkana, Karimojong, and Liko in the same way as Tutrugbu and Tafi, since ATR harmony with conditional blocking in the first two is, at least intuitively, a single pattern. In the other three languages, on the other hand, spreading of [+ATR] and the more restricted pattern of [−ATR] spreading

are — again, at least intuitively — two distinct patterns, as in existing analyses (Dimmendaal 1983, Baković 2000, Lesley-Neuman 2012). Recall however, that the question of interest is the minimum level of complexity required to describe complete input-output mappings (Heinz 2018, §2). Thus the object of study is not the complexity of a particular pattern isolated from the larger phonology in a language, but rather the function that maps inputs to outputs comprising *all* relevant patterns. As a consequence of this framing, the multiple ATR spreading patterns in Turkana, Karimojong, and Liko are together comparable in complexity to the single pattern found in Tutrugbu or Tafi.

6.2.5 Other cases

There are other apparent cases of circumambient harmony described in the literature, but these are less clear, and we cannot say with certainty that they are both unbounded and circumambient. Hyman (1998) argues that in Yaka, a Bantu language, suffix high vowels lower if they are preceded and followed by mid vowels, thus exhibiting some similarity to unbounded tone plateauing. Although the harmony extends over several syllables, Jardine (2016) doubts the unboundedness of this pattern. But as far as we can tell, harmony in Yaka satisfies all three of Jardine’s (2016, p. 250, (6)) stated criteria:

- (50) a. The source authors characterise the process as unbounded, and there is no evidence to the contrary.
- b. Examples exist of the process operating over multiple units.
- c. Examples exist of the process applying even when productive word- or phrase-formation processes extend its domain.

In addition to Yaka, Jardine (2016, §2.3.1) questions the status of retroflex harmony in Sanskrit based on Ryan (2017). In Sanskrit, a retroflex consonant triggers retroflexion of a following /n/ so long as another retroflex consonant is not present later in the word. Ryan (2017, §4) finds no examples of blocking across more than one syllable, a point which Jardine uses to question the boundedness of harmony. But Ryan (2017) shows evidence of triggering across intervening segments and blocking across one, two, or three segments, which, in our estimation, suggests that the pattern may be unbounded.

Teso (Rottland & Otaala 1983) and Toposa (Schröder & Schröder 1987), both Nilotic languages, and Bondu-So (Hantgan & Davis 2012), a Dogon language, may also exhibit unbounded circumambience. These languages all exhibit patterns of conflicting ATR dominance, like Turkana and Karimojong, but triggering morphemes in extant descriptions always immediately precede or follow the relevant suffix, so we cannot determine the unboundedness of these harmony patterns. If these are in fact bounded, then they parallel other cases of bounded circumambient harmony, like those described in Kalinowski (2009) and Lionnet (2016).

6.2.6 Summary

In sum, we contend that claims about the frequency of complex segmental phenomena relative to tonal phenomena are at best premature. As further support for a computational distinction between segmental and tonal processes, Heinz (2018) and Jardine (2016) claim that unbounded circumambient tonal processes are relatively common and equivalent segmental mappings are at most ‘extremely rare.’ To this point, Jardine adduces nine potential examples of such tonal processes but only two unbounded circumambient segmental processes, Sanskrit *n*-retroflexion and Yaka height harmony. In our view, the difference between two and nine examples is not persuasive evidence of a difference in typological frequency. As Piantadosi & Gibson (2014) contend (and as we elaborate in §6.3), outside particular cases of carefully framed questions and statistical reasoning, linguists do not currently — nor will we soon — have descriptions of enough languages to make strong conclusions about what properties are categorically impossible (e.g. non-deterministic segmental phonological patterns) for natural languages to have on the basis of simple comparisons of frequency counts. Furthermore, we simply do not have enough data to even know how many languages have tone, or how many have vowel harmony. At best, we have very rough ballpark estimates. For instance, Yip (2002, p. 1) notes that “by some estimates 60-70% of the world’s languages are tonal.” Such rough estimates demonstrate how

much we have to learn before we can evaluate the frequency of unbounded circumambient tonal patterns and their segmental equivalents.

Even if the foregoing were not the case, of the nine tonal patterns marshalled as evidence in Jardine (2016), at least two of these (Digo and Xhosa) are not actually unbounded circumambient — see Figure 10 and the immediately preceding text in the Appendix for a left-subsequential analysis. And besides, we have identified in this subsection at least four if not more examples of unbounded circumambient segmental patterns in addition to our main example of Tutrugbu ATR harmony. We discuss these patterns not to make typological claims about the frequency of these patterns relative to similarly complex tonal processes, but instead to demonstrate that they must be dealt with seriously and not swept aside as outliers.

6.3 How should we establish and explain typological generalizations?

The empirical data from Tutrugbu (§2) and the additional languages described in §6.2, provide strong reasons to revise the typological claims in Jardine (2016), outlined in §3. Additionally, we would like to problematize more generally the approach to typology advanced by existing work on the subregular hypothesis (e.g. Heinz & Idsardi 2011, Gainor *et al.* 2012, Chandlee & Heinz 2012, Chandlee *et al.* 2012, Heinz & Lai 2013, Jardine 2016, Chandlee & Heinz 2018) and summarized in (51).

- (51) a. The principal explanation for apparent typology is *constraints on possible grammars* in the hypothesis space humans use for learning phonological patterns.
 b. Naive estimates of frequency counts or literature reviews are a reasonable evidential basis for concluding that a particular type of phenomenon is categorically *impossible*.

In the particular case of segmental and tonal pattern, even granting both points in (51), our discussion of the vowel harmony patterns in Tutrugbu and in §6.2 shows that a non-trivial number of unbounded circumambient patterns exist in segmental phonology, just as they do in tonal phonology.

More generally, contemporary literature on typology and linguistic theory offers four reasons for rejecting (51b). First, Piantadosi & Gibson (2014) show that, in general, the number of independent languages linguists need to observe to achieve reasonable statistical confidence that a particular type of feature or phenomenon is categorically *impossible* is far higher than linguists are likely to observe and document for many generations. Second, even if we currently had both detailed descriptions and computational analyses for the phonology of every language presently spoken, this would only constitute a small and likely unrepresentative fraction of all human languages spoken in the last 100,000-200,000 years (Bowerman 2011, Plank 2007). Third, even if we had reasonably complete analyses on both current and past human languages, for these data to be strongly informative about what is likely or even possible in potential future human languages either requires good reasons to believe such data are representative of all possible human languages, or a dynamic model of how languages change over long time scales that would allow us to make such predictions (see e.g. Daniel 2007, Maslova 2000, Cysouw 2011, Bickel 2011, Croft *et al.* 2011).

The final reason for rejecting (51b) is that it doesn't have a good track record. Work on the subregular hypothesis has not *predicted* the typology of complexity; instead, the particular choice of exactly which class is hypothesized to be an upper bound has been *post hoc* and driven by the most complex phenomena known to researchers at the time. The strengths of formal language theoretic methods lie in picking out well-defined classes of patterns and functions and identifying formal conditions under which such patterns and functions are efficiently learnable. In order to make typological predictions, these strengths must be coupled with other linking hypotheses, which in previous literature have been nativist (51b). Nevertheless, since an empirically adequate theory must predict that actually attested languages *do* exist, these methods are metatheoretically useful for identifying what a well-specified theory should predict to be *possible*.

While it may traditionally have been considered a virtue in generative linguistics to attempt to predict all and *only* observed typological data, the phenomenon of 'memorizing' observed data and failing to make correct

generalizations that predict future data is called *overfitting* in the context of model selection — regardless of whether the inductive learner in question is that of a child reasoning about an unknown but partially observed ‘set of possible strings’ or that of a scientist reasoning about a ‘set of possible human languages’ (see Rasin *et al.* submitted, Piantadosi & Gibson 2014, Perfors *et al.* 2011 for review and discussion in linguistic contexts). In either case, such hypotheses should, *ceteris paribus*, be normatively dispreferred relative to simpler hypotheses that predict as-yet unobserved data — or at least don’t rule it out.

We offer the following suggestions in place of (51b). First, rather than assuming that the absence of some type of phenomenon is best explained by arbitrary innate constraints, linguists should preferentially consider explanations that offer an independently-motivated reason for that absence. Second, per the conclusions of Piantadosi & Gibson (2014) and be used to identify and test putative linguistic universals, and any offered linguistic universal should be presented alongside an explicit measure of evidential strength.

Turning to (51a), contemporary literature on typology and its relation to linguistic theory has shown the value of considering phylogenetic and areal effects (see e.g. discussion of word order typology in Bickel 2007, p. 241), language-specific historical contingencies (Harris 2008, Nichols 1992, Hansson 2008, Blevins 2004), and differential learnability (e.g. Hayes & Wilson 2008, Moreton & Pater 2012, Culbertson 2012, Stanton 2016)¹⁶ as productive alternatives to innate constraints. Given that we need explanations and theories of each of these domains, each is a strictly simpler type of explanation of typological commonality and rarity than the non-specific, catch-all assumption of innate knowledge or constraints.

While it may traditionally have been considered a virtue for generative linguistic theories to explain as much about observed typological data as possible, in light of all of the mechanisms we now know can and do affect observed linguistic typology and how little we know about the origins of long-distance phonological processes in particular, it ought to be surprising if a recently explored dimension of typological variation were entirely or largely explained by just one factor, especially when that factor is an innate constraint whose existence and specificity are not independently motivated or well-evidenced. In the language of model selection, (i) each previously mentioned non-nativist cause is a hypothesis with higher prior probability than a phonology-specific innate constraint of arbitrary complexity and weak independent motivation, and (ii) each of these non-nativist causes is constrained in terms of what kind of data it predicts and can explain, whereas an innate constraint could be invoked to explain almost any typological observation (see e.g. discussion of the *size principle* in Tenenbaum & Griffiths 2001).¹⁷ We conclude that phonologists interested in explaining the typology of complex, long-distance phonological processes would profit more from exploring hypotheses about why they arise in the first place in the languages that have them and why they have the relative distributions they do (Bickel 2007).

6.4 Evaluating phonological theories and computational phonology

Independent of explaining typology *per se*, exactly fitting observed typology has been commonly used for evaluating generative linguistic theories. We argue that there are better ways of evaluating theories than the all-and-only criterion. We also emphasize that computational phonology has a key role to play: while the goal of identifying maximally restrictive theories of grammar has commonly been used to frame the significance of contemporary work on the subregular hierarchies of languages and relations, this sells short what contemporary work in computational phonology has to offer theory development and evaluation.

For this reason, the question of how to evaluate theories of grammar without the all-and-only criterion is particularly relevant to this article. In terms of model selection (Rasin *et al.* submitted, Perfors *et al.* 2011), the ‘all-and-only’ criterion neglects consideration of both a theory’s *prior probability* as a scientific hypothesis plus the non-typological predictions it makes.

¹⁶Note that, in contrast to e.g. Heinz & Idsardi (2011, 2013), these explore relationships between relative learnability and relative *rarity*, not impossibility.

¹⁷A forthcoming independently-motivated theory of exactly what kinds of innate phonology-specific constraints we ought to expect (and crucially what we ought not to expect) plus what kinds of data such a theory cannot predict could mitigate this second problem.

Relevant sources of evidence for evaluating grammatical theories include results and debates concerning psychologically plausible representations and architectures (e.g. Marslen-Wilson 1973, Marslen-Wilson & Tyler 1987, Tanenhaus *et al.* 1995), computational learnability and predictions of learning errors (e.g. Tesar 1995, Heinz *et al.* 2009, Rogers & Pullum 2011, Perfors *et al.* 2011, Chandlee *et al.* 2014, Piantadosi *et al.* 2016, among many others), as well as linguistically significant distinctions (e.g. ‘Do phonological grammars count beyond two?’). Significantly, these are all sources of evidence *already* in use: phonologists bereft of the all-and-only criterion are hardly without other means of theory evaluation.

7 Conclusion

Jardine (2016) claims that the minimum expressivity required to describe tonal patterns exhibiting unbounded circumambience is categorically greater than that needed to represent any patterns of segmental phonology, which are claimed to require at most weakly deterministic regular functions. Existing evidence for potentially unbounded circumambient segmental processes in Yaka and Sanskrit has been minimized and these patterns have been construed as aberrant (Heinz 2018, Jardine 2016). We have shown that ATR harmony in Tutrugbu clearly satisfies the definition of unbounded circumambience according to the criteria laid out in Jardine (2016). Moreover, we have noted a variety of other languages that exhibit segmental patterns requiring similar expressivity. Altogether, there is strong evidence that segmental patterns require no less expressivity than tonal patterns.

The claim advanced in this article, that segmental phonology requires the same expressivity as tonal phonology, has significant implications for the continued evaluation of the subregular hypothesis and the expressivity of phonology more generally. Formal language theory provides a framework within which to frame these questions and address issues like the computational properties of human sound patterns. Moreover, we recognize that work like Heinz (2011a, b), Heinz & Lai (2013), Jardine (2016) has stimulated a growing body of work examining phonology from a different point of view, and we hope further discussion of empirical patterns like ATR harmony in Tutrugbu and others noted here will facilitate a deeper understanding of human sound patterns, their expressivity, and their distribution among the world’s languages.

References

- Anderson, Stephen R. 1974. *The Organization of Phonology*. Academic Press.
- Archangeli, Diana, & Pulleyblank, Douglas. 2007. Harmony. *Pages 353–378 of: de Lacy, Paul (ed), The Cambridge Handbook of Phonology*. Cambridge University Press.
- Avcu, Enes. 2018. Experimental investigation of the Subregular Hypothesis. *Pages 77–86 of: Proceedings of the 35th West Coast Conference on Formal Linguistics*.
- Baković, Eric. 2000. *Harmony, Dominance and Control*. Ph.D. thesis, Rutgers, The State University of New Jersey.
- Bickel, Balthasar. 2007. Typology in the 21st century: major current developments. *Linguistic Typology*, **11**(1), 239–251.
- Bickel, Balthasar. 2011. Statistical modeling of language universals. *Linguistic Typology*, **15**(2), 401–413.
- Bickmore, Lee S, & Kula, Nancy C. 2013. Ternary spreading and the OCP in Copperbelt Bemba. *Studies in African Linguistics*, **42**(2), 101.
- Blevins, Juliette. 2004. *Evolutionary Phonology: The emergence of sound patterns*. Cambridge: Cambridge University Press.
- Bobuafor, Mercy. 2013. *A grammar of Tafi*. LOT: Utrecht.

- Bowern, Claire. 2011. Out of Africa? The logic of phoneme inventories and founder effects. *Linguistic Typology*, **15**(2), 207–216.
- Bowler, Margit. 2013. Majority rules effects in Warlpiri vowel harmony. unpublished ms., UCLA. https://www.academia.edu/38700903/Majority_rules_effects_in_Warlpiri_vowel_harmony.
- Bowler, Margit, & Zymet, Jesse. 2019. A count effect in Warlpiri vowel harmony. presented at The 27th Manchester Phonology Meeting. http://linguistics.berkeley.edu/jzymet/MFM2019_2.
- Casali, Roderic F. 2003. [ATR] value asymmetries and underlying vowel inventory structure in Niger-Congo and Nilo-Saharan. *Linguistic Typology*, **7**(3), 307–382.
- Casali, Roderic F. 2008. ATR harmony in African languages. *Language and linguistics compass*, **2**(3), 496–549.
- Casali, Roderic F. 2012. [+ATR] dominance in Akan. *Journal of West African Languages*, **39**(1), 33–59.
- Casali, Roderic F. 2016. Some inventory-related asymmetries in the patterning of tongue root harmony systems. *Studies in African Linguistics*, **45**(1 & 2), 96–99.
- Casali, Roderic F. 2017. High-vowel patterning as an early diagnostic of vowel-inventory type. *Journal of West African Languages*, **44**(1), 79–112.
- Chandlee, Jane. 2014. *Strictly local phonological processes*. Ph.D. thesis, University of Delaware.
- Chandlee, Jane, & Heinz, Jeffrey. 2012. Bounded copying is subsequential: Implications for metathesis and reduplication. *Pages 42–51 of: Proceedings of the Twelfth Meeting of the Special Interest Group on Computational Morphology and Phonology*. Association for Computational Linguistics.
- Chandlee, Jane, & Heinz, Jeffrey. 2018. Strict locality and phonological maps. *Linguistic Inquiry*, **49**(1), 23–60.
- Chandlee, Jane, Athanasopoulou, Angeliki, & Heinz, Jeffrey. 2012. Evidence for classifying metathesis patterns as subsequential. *Pages 303–309 of: The Proceedings of the 29th West Coast Conference on Formal Linguistics*.
- Chandlee, Jane, Eyraud, Rémi, & Heinz, Jeffrey. 2014. Learning Strictly Local Subsequential Functions. *Transactions of the Association for Computational Linguistics*, **2**, 491–503.
- Chandlee, Jane, Heinz, Jeffrey, & Jardine, Adam. 2018. Input Strictly Local opaque maps. *Phonology*, **35**(2), 171–205.
- Chomsky, Noam, & Halle, Morris. 1968. *The Sound Pattern of English*. Harper & Row.
- Croft, William, Bhattacharya, Tanmoy, Kleinschmidt, Dave, Smith, D. Eric, & Jaeger, T. Florian. 2011. Greenbergian universals, diachrony, and statistical analyses. *Linguistic Typology*, **15**(2), 433–453.
- Culbertson, Jennifer. 2012. Typological Universals as Reflections of Biased Learning: Evidence from Artificial Language Learning. *Linguistics and Language Compass*, **6**(5), 310–329.
- Cysouw, Michael. 2011. Understanding transition probabilities. *Linguistic Typology*, **15**(2), 415–431.
- Daniel, Michael. 2007. Representative sampling and typological explanation: A phenomenological lament. *Linguistic Typology*, **11**(1), 69–78.

- Dimmendaal, Gerrit Jan. 1983. *The Turkana Language*. Dordrecht: Foris.
- Elgot, Calvin C, & Mezei, Jorge E. 1965. On relations defined by generalized finite automata. *IBM Journal of Research and Development*, **9**(1), 47–68.
- Essegbey, James. 2009. Noun classes in Tutrugbu. *Journal of West African Languages*, **35**, 37–56.
- Essegbey, James. 2019. *Tutrugbu (Nyangbo) Language and Culture*. Brill.
- Finley, Sara. 2008. *Formal and Cognitive Restrictions on Vowel Harmony*. PhD, Johns Hopkins University.
- Gainor, Brian, Lai, Regine, & Heinz, Jeffrey. 2012. Computational characterizations of vowel harmony patterns and pathologies. *Pages 63–71 of: The Proceedings of the 29th West Coast Conference on Formal Linguistics*.
- Hansson, Gunnar Ólafur. 2008. Diachronic Explanations of Sound Patterns. *Language and Linguistics Compass*, **2**(5), 859–893.
- Hantgan, Abbie, & Davis, Stuart. 2012. Bondu-so vowel harmony: a descriptive analysis with theoretical implications. *Studies in African Linguistics*, **41**(2), 1–26.
- Harris, Alice. 2008. On the Explanation of Typologically Unusual Structures. *Chap. 3, pages 54–76 of: Good, Jeff (ed), Linguistic Universals and Language Change*. Oxford University Press.
- Hayes, Bruce, & Wilson, Colin. 2008. A Maximum Entropy Model of Phonotactics and Phonotactic Learning. *Linguistic Inquiry*, **39**(3), 379–440.
- Heinz, Jeffrey. 2011a. Computational phonology–Part I: Foundations. *Language and Linguistics Compass*, **5**(4), 140–152.
- Heinz, Jeffrey. 2011b. Computational phonology–Part II: Grammars, learning, and the future. *Language and Linguistics Compass*, **5**(4), 153–168.
- Heinz, Jeffrey. 2018. The computational nature of phonological generalizations. *Phonological Typology*, **23**, 126–195.
- Heinz, Jeffrey, & Idsardi, William. 2011. Sentence and word complexity. *Science*, **333**(6040), 295–297.
- Heinz, Jeffrey, & Idsardi, William. 2013. What complexity differences reveal about domains in language. *Topics in Cognitive Science*, **5**(1), 111–131.
- Heinz, Jeffrey, & Lai, Regine. 2013. Vowel harmony and subsequentiality. *Pages 52–63 of: Proceedings of the 13th Meeting on the Mathematics of Language (MoL 13)*.
- Heinz, Jeffrey, Kobele, Gregory M., & Riggle, Jason. 2009. Evaluating the complexity of optimality theory. *Linguistic Inquiry*, **40**(2), 277–288.
- Hulden, Mans. 2017. Formal and computational verification of phonological analyses. *Phonology*, **34**(2), 407–435.
- Hyman, Larry M. 1998. Positional Prominence and the 'Prosodic Trough' in Yaka. *Phonology*, **15**(1), 41–75.
- Jardine, Adam. 2016. Computationally, tone is different. *Phonology*, **33**(2), 247–283.
- Johnson, C. Douglas. 1972. *Formal aspects of phonological description*. The Hague: Mouton.

- Kalinowski, Cristin. 2009. Multidirectional Vowel Harmony in Esimbi. *Pages 147–155 of: Annual Meeting of the Berkeley Linguistics Society*, vol. 35.
- Kaplan, Ronald M, & Kay, Martin. 1994. Regular models of phonological rule systems. *Computational linguistics*, **20**(3), 331–378.
- Keri, Ethelbert E. 1997. *Degema*. Munchen-Newcastle: Lincom Europa.
- Kimper, Wendell A. 2012. Harmony is Myopic: Reply to Walker (2010). *Linguistic Inquiry*, **43**(2), 301–309.
- Kisseberth, Charles, & Odden, David. 2014. Tone. *Pages 59–71 of: Nurse, Derek, & Philippson, Gérard (eds), The Bantu Languages*. Routledge.
- Kula, Nancy C, & Bickmore, Lee S. 2015. Phrasal phonology in Copperbelt Bemba. *Phonology*, **32**(1), 147–176.
- Lamont, Andrew. 2018. Majority Rule in Harmonic Serialism. *Poster presented at AMP 2018, San Diego*.
- Lesley-Neuman, Diane. 2012. Morpho-phonological levels and grammaticalization in Karimojong: A review of the evidence. *Studies in African Linguistics*, **41**(1), 99–169.
- Lionnet, Florian AJ. 2016. *Subphonemic teamwork: A typology and theory of cumulative coarticulatory effects in phonology*. Ph.D. thesis, University of California Berkeley.
- Lombardi, Linda. 1999. Positional faithfulness and voicing assimilation in Optimality Theory. *Natural Language & Linguistic Theory*, **17**(2), 267–302.
- Luo, Huan. 2017. Long-distance consonant agreement and subsequentity. *Glossa: a journal of general linguistics*, **2**(1).
- Marslen-Wilson, William. 1973. Linguistic structure and speech shadowing at very short latencies. *Nature*, **244**(5417), 522–523.
- Marslen-Wilson, William, & Tyler, Lorraine. 1987. Against modularity. *Pages 37–62 of: Modularity in Knowledge Representation and Natural Language Understanding*.
- Mascaró, Joan. 2019. On the Lack of Evidence for Nonmyopic Harmony. *Linguistic Inquiry*, **50**(4), 862–872.
- Maslova, Elena. 2000. A dynamic approach to the verification of distributional universals. *Linguistic Typology*, **4**, 307–333.
- McCollum, Adam, Baković, Eric, Mai, Anna, & Meinhardt, Eric. Submitted. On the existence of non-myopic harmony.
- McCollum, Adam G, & Essegbey, James. 2018. Unbounded Harmony Is Not Always Myopic: Evidence from Tutrugbu. *Pages 251–258 of: 35th West Coast Conference on Formal Linguistics*. Cascadilla Proceedings Project.
- McCollum, Adam G, & Essegbey, James. 2019. Initial prominence and progressive vowel harmony in Tutrugbu. *Phonological Data & Analysis*.
- Mielke, Jeff. 2007. P-base. *A database of sound patterns in 500+ languages*.
- Mohri, Mehryar. 1997. Finite-state transducers in language and speech processing. *Computational Linguistics*, **23**(2), 269–311.

- Moreton, Elliott, & Pater, Joe. 2012. Structure and substance in artificial phonology learning, Part I: Structure. *Language and Linguistics Compass*, **11**, 686–701.
- Nevins, Andrew. 2010. *Locality in vowel harmony*. Vol. 55. MIT Press.
- Nichols, Johanna. 1992. *Linguistic Diversity in Space and Time*. The University of Chicago Press.
- Noske, Manuela. 1996. [ATR] harmony in Turkana. *Studies in African Linguistics*, **25**(1), 61–99.
- Noske, Manuela. 2001. [ATR] Harmony in Turkana: A Case of Faith Suffix » Faith Root. *Natural Language & Linguistic Theory*, **18**(4), 771–812.
- Novelli, Bruno. 1985. *A grammar of the Karimojong language*. Vol. 7. Reimer.
- O’Hara, Charlie, & Smith, Caitlin. 2019. Computational Complexity and Sour-Grapes-Like Patterns. In: *Proceedings of the Annual Meeting on Phonology*.
- Padgett, Jaye. 1995. Partial class behavior and nasal place assimilation. *Proceedings of the Arizona Phonology Conference: Workshop on Features in Optimality Theory*.
- Pater, Joe. 2018. Substance matters: a reply to Jardine (2016). *Phonology*, **35**(1), 151–156.
- Payne, Amanda. 2017. All dissimilation is computationally subsequential. *Language*, **93**(4), e353–e371.
- Perfors, Amy, Tenenbaum, Joshua B., & Regier, Terry. 2011. The learnability of abstract syntactic principles. *Cognition*, **118**(3), 306–338.
- Piantadosi, Steven T., & Gibson, Edward. 2014. Quantitative standards for absolute linguistic universals. *Cognitive Science*, **38**(4), 736–756.
- Piantadosi, Steven T., Tenenbaum, Joshua B., & Goodman, Noah D. 2016. The logical primitives of thought: Empirical foundations for compositional cognitive models. *Psychological Review*, **123**(4), 392–424.
- Plank, Frans. 2007. Extent and limits of linguistic diversity as the remit of typology - but through constraints on WHAT is diversity limited? *Linguistic Typology*, **11**(1), 43–68.
- Prince, Alan. 2007. The pursuit of theory. *Pages 33–60 of: de Lacy, Paul (ed), The Cambridge Handbook of Phonology*. Cambridge: Cambridge University Press.
- Rasin, Ezer, Berger, Iddo, Lan, Nur, & Katzir, Roni. Submitted. Learning rule-based morpho-phonology.
- Riggle, Jason Alan. 2004. *Generation, recognition, and learning in finite state Optimality Theory*. Ph.D. thesis, UCLA.
- Roche, Emmanuel, & Schabes, Yves. 1997. *Finite state language processing*. MIT Press.
- Rogers, James, & Pullum, Geoffrey K. 2011. Aural Pattern Recognition Experiments and the Subregular Hierarchy. *Journal of Logic, Language and Information*, **20**(3), 329–342.
- Rose, Sharon. 2018. ATR vowel harmony: New patterns and diagnostics. In: *Proceedings of the 2017 Annual Meeting on Phonology*.
- Rottland, Franz, & Otaala, Laura. 1983. Mid-vowel assimilation in Teso-Turkana. *Nilotic Studies*. Berlin: Dietrich Reimer, 169–181.

- Ryan, Kevin. 2017. Attenuated spreading in Sanskrit retroflex harmony. *Linguistic Inquiry*, **48**(2), 299–340.
- Schröder, Helga, & Schröder, Martin. 1987. Vowel harmony in Toposa. *Afrikanistische Arbeitspapiere*, **12**, 27–35.
- Smith, Caitlin, & O’Hara, Charlie. 2019. Formal Characterizations of True and False Sour Grapes. *Pages 338–341 of: Proceedings of the Society for Computation in Linguistics*, vol. 2.
- Stanton, Juliet. 2016. Learnability shapes typology : The case of the midpoint pathology. *Language*, **92**(4), 753–791.
- Stanton, Juliet. 2018. Gurundji nasal cluster dissimilation as trigger deletion. *Journal of Linguistics*.
- Tanenhaus, Michael K, Spivey-Knowlton, Michael J, Eberhard, Kathleen M, & Sedivy, Julie C. 1995. Integration of Visual and Linguistic Information in Spoken Language Comprehension. *Science*, **268**.
- Tenenbaum, Joshua B, & Griffiths, Thomas L. 2001. Generalization, similarity, and Bayesian inference. *Behavioral and Brain Sciences*, 629–630.
- Tesar, Bruce. 1995. *Computational Optimality Theory*. PhD dissertation, University of Colorado at Boulder.
- van der Hulst, Harry, & van der Weijer, Jeroen. 1995. Vowel harmony. *Pages 495–534 of: Goldsmith, John A. (ed), The Handbook of Phonological Theory*. Blackwell.
- Vaux, Bert. 2008. Why the phonological component must be serial and rule-based. *Pages 20–60 of: Vaux, Bert, & Nevins, Andrew (eds), Rules, Constraints, and Phonological Phenomena*. Oxford: Oxford University Press.
- Walker, Rachel. 2010. Nonmyopic harmony and the nature of derivations. *Linguistic Inquiry*, **41**(1), 169–179.
- Wilson, Colin. 2003. Analyzing unbounded spreading with constraints: marks, targets, and derivations. *Unpublished manuscript, UCLA*.
- Wilson, Colin. 2006. Unbounded spreading is myopic. *Paper presented at the Phonology Fest Workshop on Current Perspectives on Phonology, Indiana University*.
- Wit, Gerrit de. 2015. *Liko phonology and grammar: a Bantu language of the Democratic Republic of the Congo*. LOT, Utrecht.
- Yip, Moira. 2002. *Tone*. Cambridge University Press.

Appendix: FSTs and an analysis of tone spreading in Digo

Since consonants do not play a role in the patterns discussed in the paper, all consonants are ignored in the transducers to follow.

We provide a prose description of the first transducer presented below to facilitate the interpretation of these FSTs more generally. In Turkish, rounding harmony propagates from left to right, targeting [+high] vowels. In the FST below, the transducer first reads the beginning of word and root boundary symbols. Since Turkish does not have productive prefixation, these two are adjacent. Next the FST reads the initial-syllable vowel's [round] feature in q_2 and proceeds to q_3 if that vowel is [+round] and to q_4 if that vowel is [-round]. Within roots, round vowels may occur relatively freely, represented by the transitions between q_3 and q_4 . If the root-final vowel is [+round], there are three options upon reaching the root-suffix boundary symbol. If the word does not have any suffixes, the FST reads the end of word symbol and transitions from q_5 to q_7 , the final accepting state. If, however, [+high] suffixes are present, transducer outputs them as [+round], indicated by the loop at q_5 . Finally, if a suffix vowel is [-high], then rounding harmony does not apply and the suffix vowel is output as [-round], as indicated by the transition from q_5 to q_6 . Note that since q_6 has a loop, all following suffix vowels will be output as [-round]. If, on the other hand, the final root vowel is [-round], upon reaching the root-suffix boundary only two options exist. If no suffix vowels are present, the FST reads the end of word symbol and transitions from q_6 to q_7 . If suffixes are present, the FST outputs them as [-round], looping back to q_6 after each vowel. After all input vowels have been read, the transducer reads the end of word symbol, ending the mapping in q_7 , the accepting state.

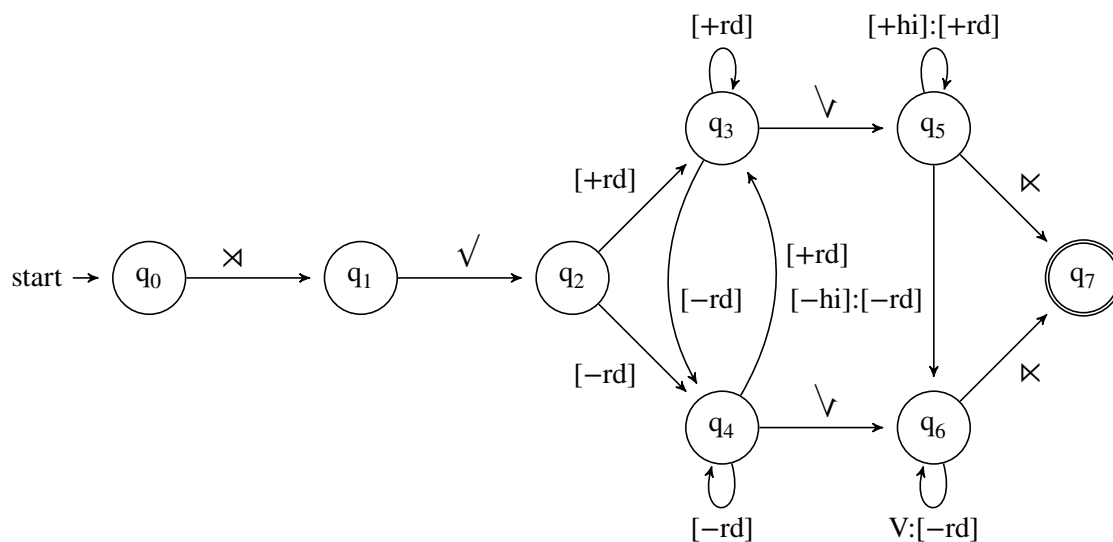


Figure 2 Left-subsequential FST for Turkish progressive rounding harmony

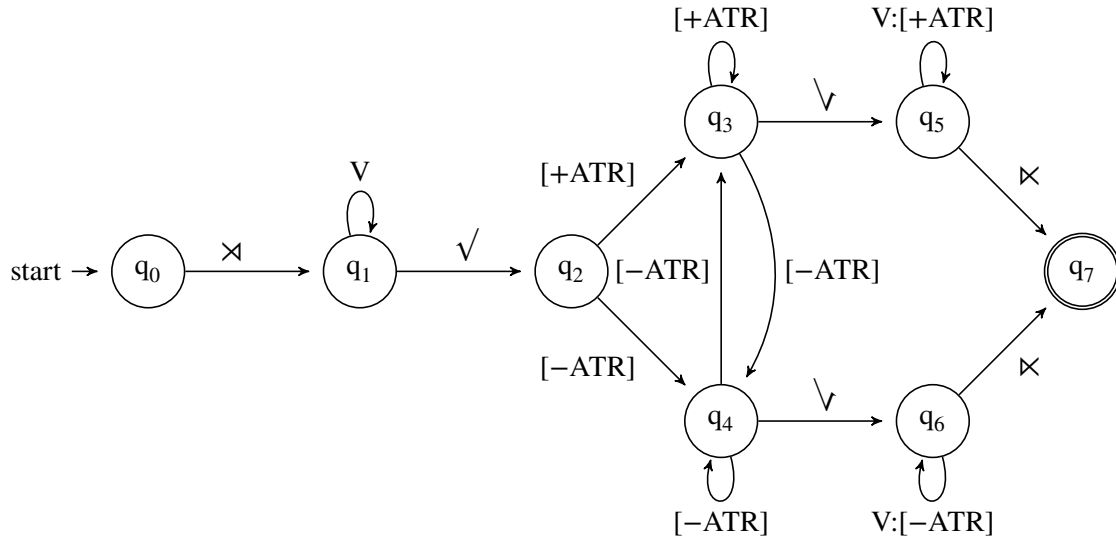


Figure 3 Left-subsequential FST for Degema

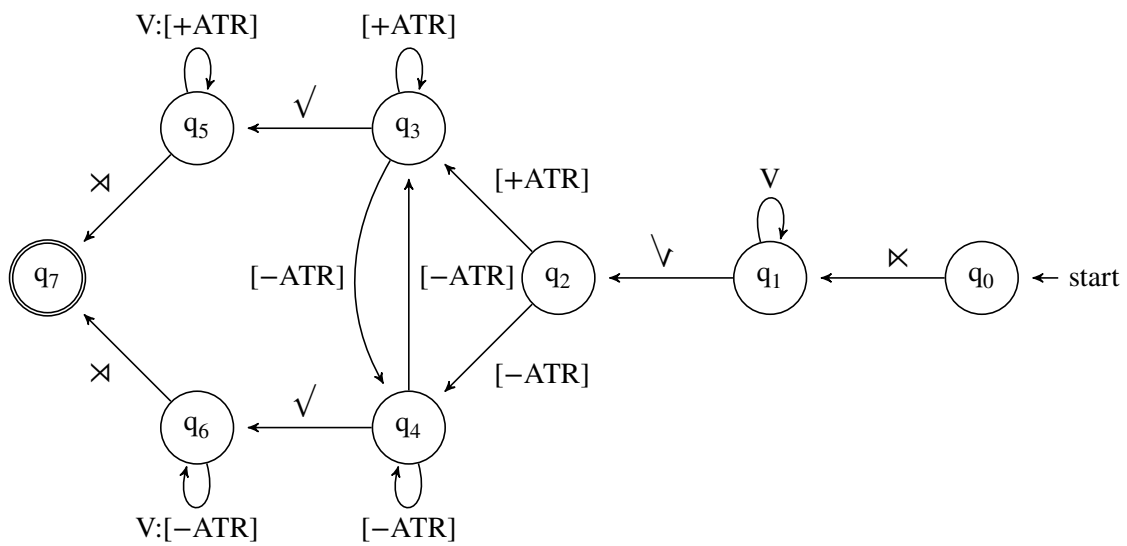


Figure 4 Right-subsequential FST for Degema

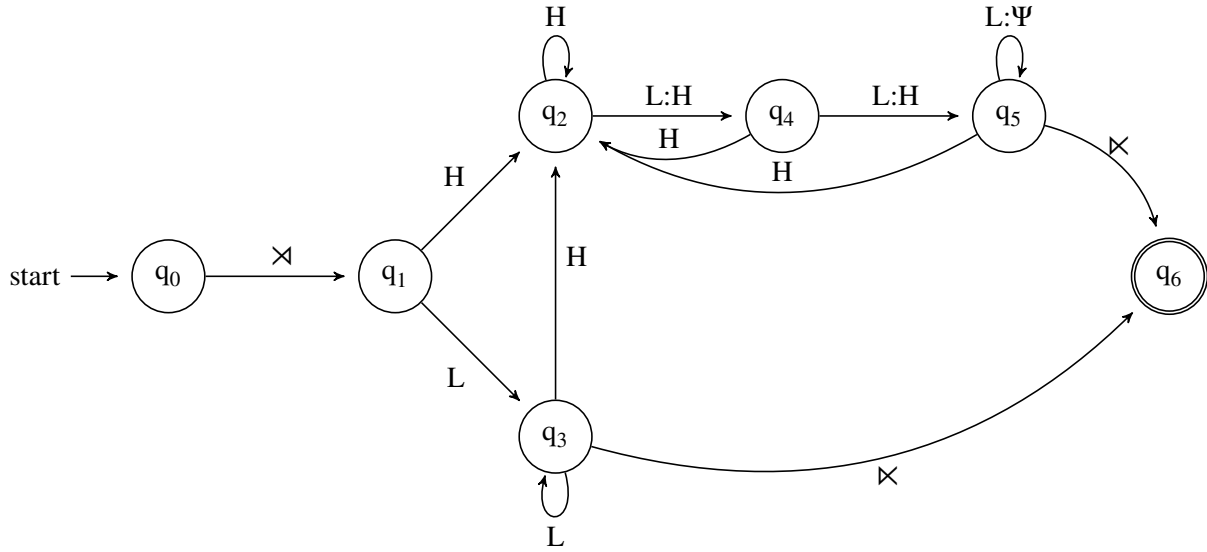


Figure 5 Left-subsequential FST for Copperbelt Bemba tone spreading

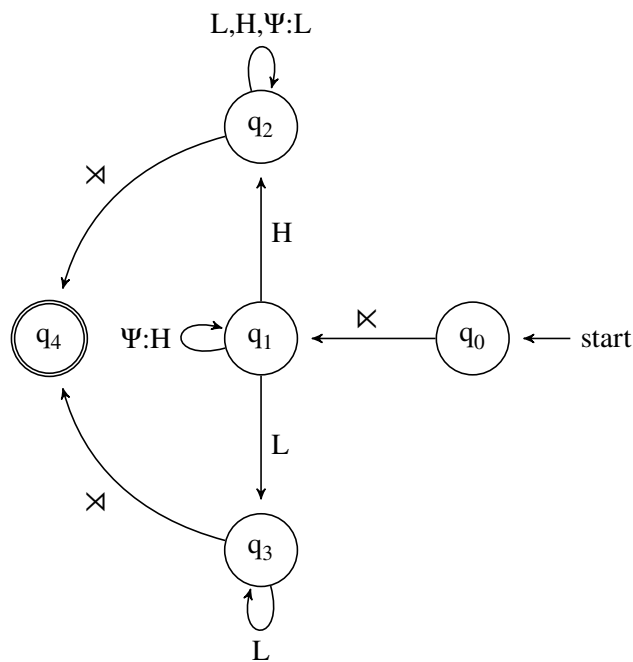


Figure 6 Right-subsequential FST for Copperbelt Bemba tone spreading

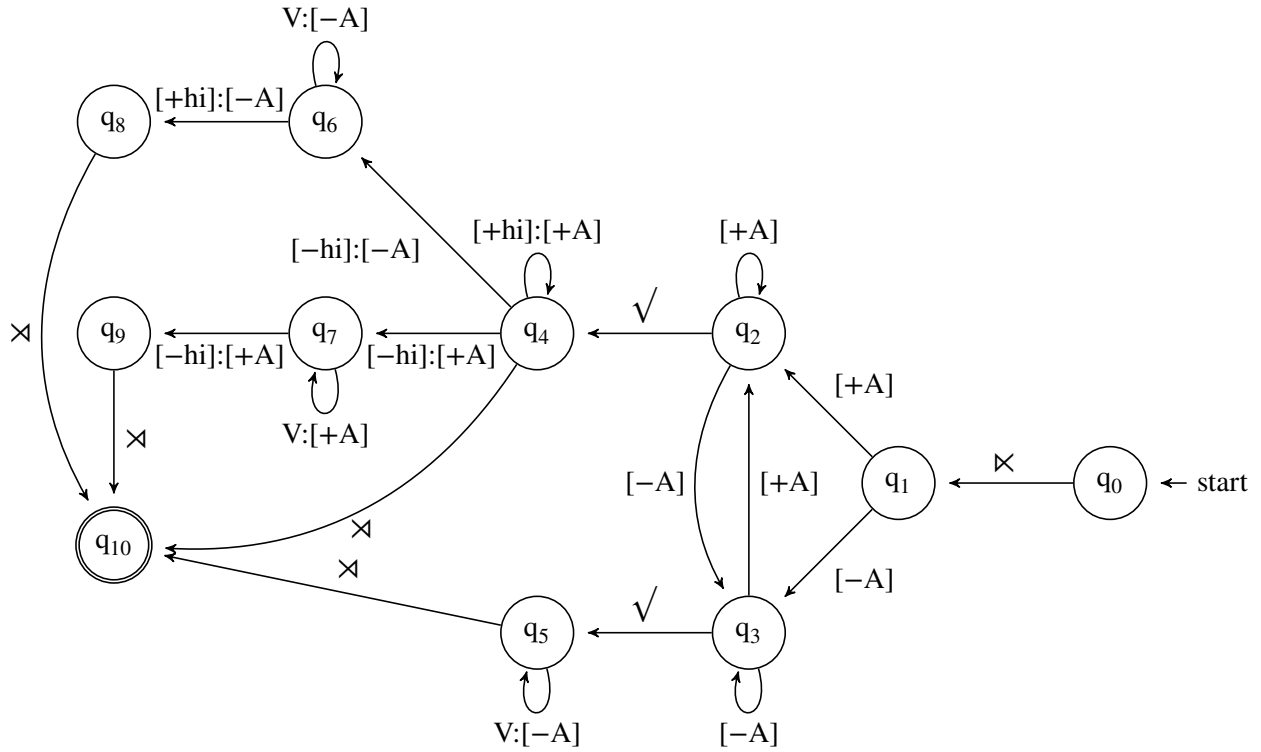


Figure 7 Non-deterministic FST of ATR harmony in Tutrugbu (✓ = root boundary; A = ATR)

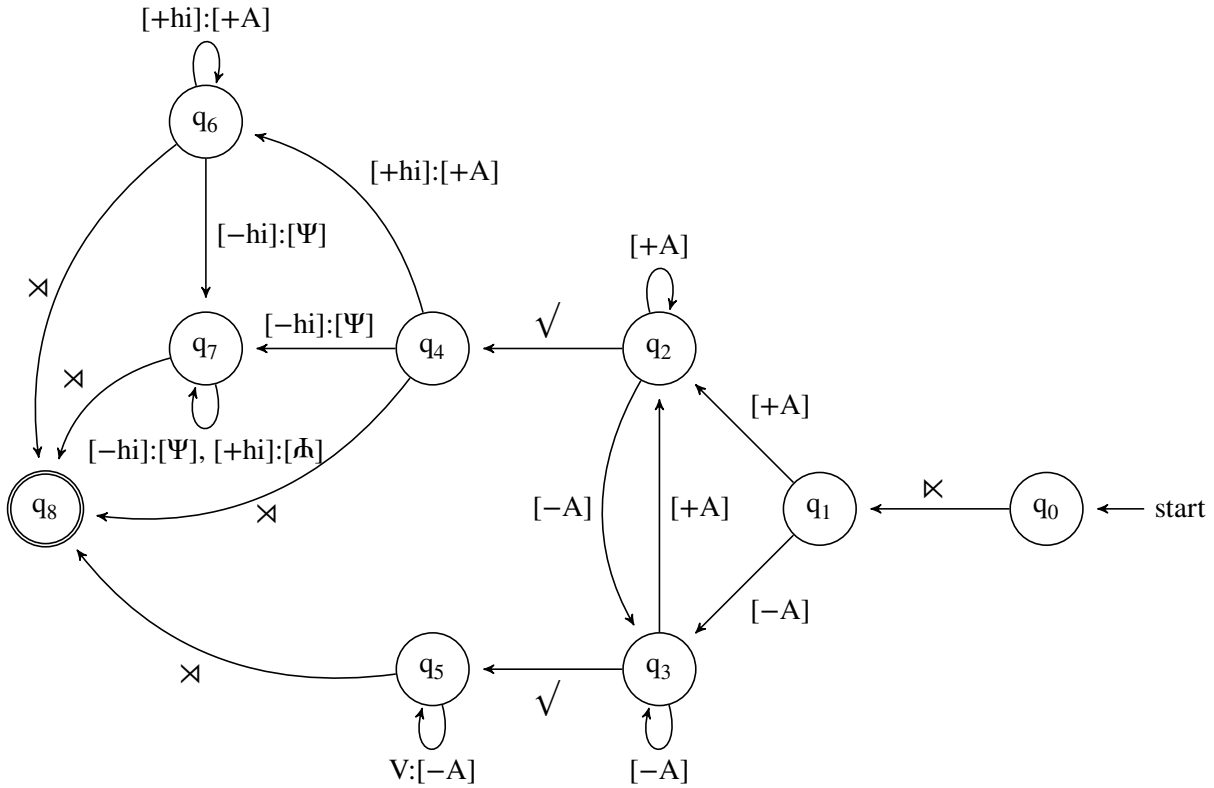


Figure 8 Right-subsequential FST for Tutrugbu ATR harmony (\checkmark = root boundary; A = ATR)

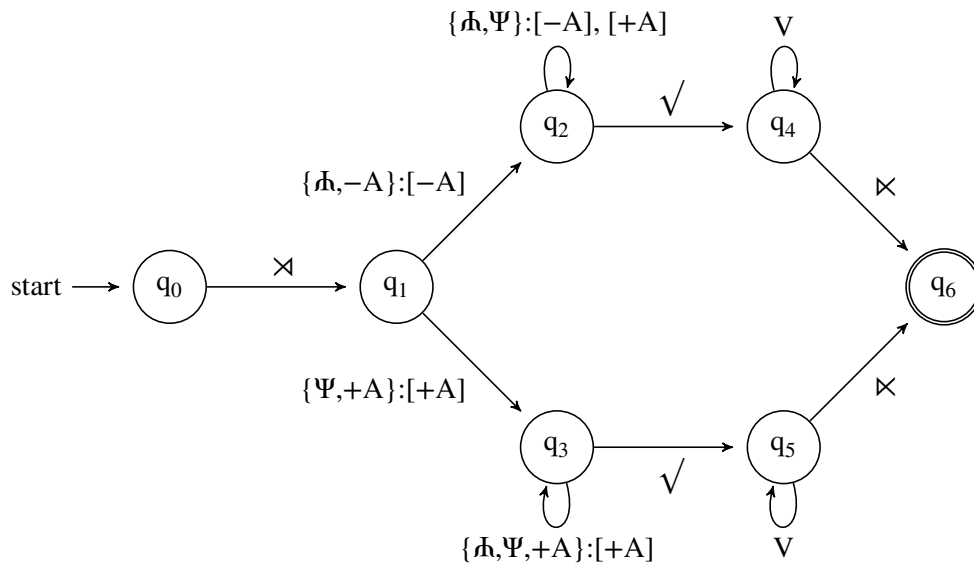


Figure 9 Left-subsequential FST for Tutrugbu ATR harmony (\checkmark = root boundary; A = ATR)

In the Digo data below, a single underlying H shifts to the penult (52b). Note that in (52b) the final two syllables are realized as a rising-falling sequence. Below we treat them as a HL sequence. In a word containing two underlying H tones, the first H shifts to the penult and the second H initiates spreading up to the penult (52c).

- (52) Tonal spreading in Digo (underlying H are underlined)
- ni-na+tsukur-a “I am taking”
 - ni-na+a-tsukūr-â “I am taking them”
 - a-na+â-tsúkúr-â “s/he is taking them”

Jardine (2016, §2.2.2) claims that the tonal pattern in Digo is unbounded circumambient. However, the pattern is analyzable as left-subsequential, as we show in Figure 10. The transducer reads the input tape from left to right, and spreads H from the second input H until the penultimate syllable. The analysis only requires ‘waiting’ two symbols upon reading an input H to ensure that the target for tone shifting (if only a single H occurs), or the final target for tone spreading (if two H tones occur) is the penult. One reviewer suggests that, when viewed as two separate patterns, tonal plateauing is still unbounded circumambient. As we’ve noted earlier, the issue is that the computational approach that guides both our work and Jardine’s addresses the total input-output mapping without assigning any formal status to individual patterns, like tone shifting or tone plateauing. As a whole, the mapping is left-subsequential.

Moreover, we see no convincing evidence that the pattern in Xhosa is unbounded circumambient, either. In Xhosa, (Kisseberth & Odden 2014, p. 67-68) notes that a single H shifts to the antepenult. In words (or perhaps phrases) with more than one H, H spreads from the second underlying H to the antepenult, the destination for leftmost tone shifting. Just like Digo, a left-subsequential transducer can trigger spreading from the second H encountered up to the antepenult with only bounded lookahead, almost exactly like the Digo analysis just sketched.

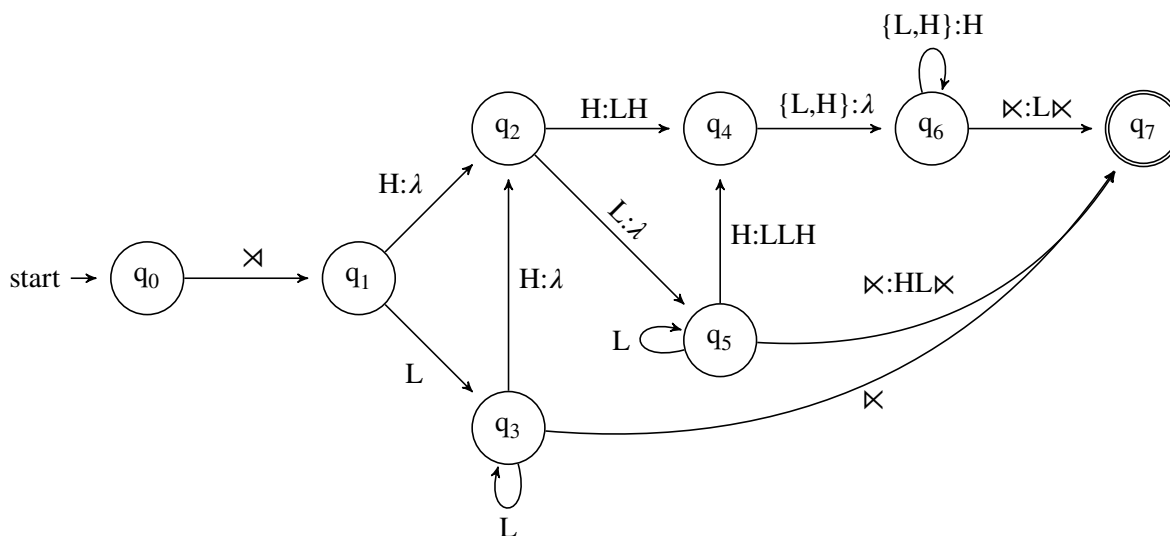


Figure 10 Left-subsequential FST of Digo (assuming that the rise-fall sequence on the final 2 TBUs is a HL sequence)

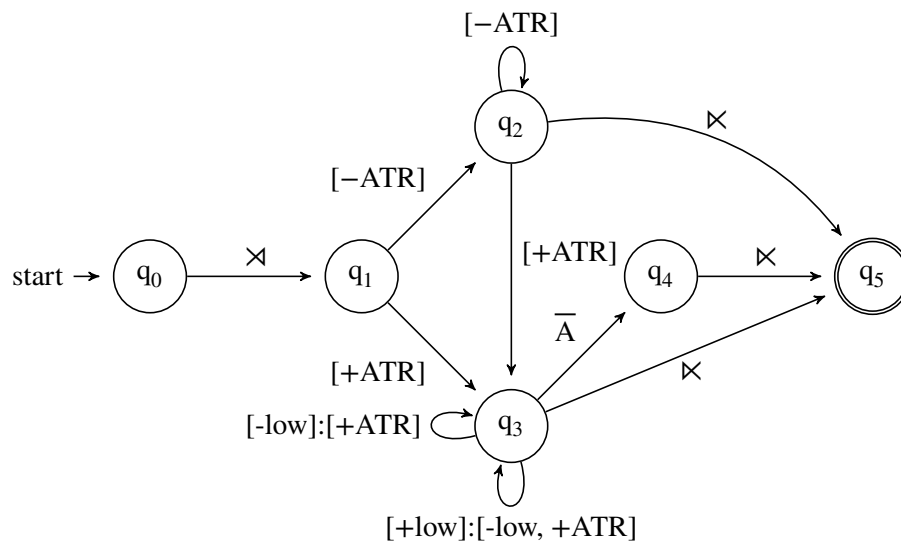


Figure 11 Left-subsequential FST for Turkana ATR harmony (\bar{A} = dominant $[-ATR]$ suffix)

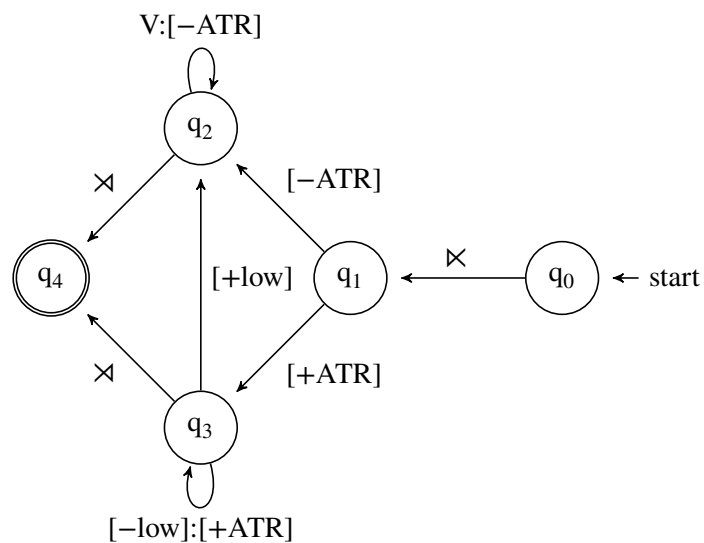


Figure 12 Right-subsequential FST for ATR harmony in Turkana (\bar{A} = dominant $[-ATR]$ suffix)