

# Lawrence Berkeley National Laboratory

## LBL Publications

### Title

SURFACE STRUCTURES OF ADSORBED GASES ON SOLID SURFACES. A TABULATION OF DATA REPORTED BY LOW ENERGY ELECTRON DIFFRACTION STUDIES

### Permalink

<https://escholarship.org/uc/item/6bc4w74d>

### Author

Castner, D.G.

### Publication Date

1978-11-01

UCRL-8418

UNIVERSITY OF  
CALIFORNIA

Radiation  
Labora

Please return to  
warehouse

Jo

BERKELEY, CALIFORNIA

## **DISCLAIMER**

This document was prepared as an account of work sponsored by the United States Government. While this document is believed to contain correct information, neither the United States Government nor any agency thereof, nor the Regents of the University of California, nor any of their employees, makes any warranty, express or implied, or assumes any legal responsibility for the accuracy, completeness, or usefulness of any information, apparatus, product, or process disclosed, or represents that its use would not infringe privately owned rights. Reference herein to any specific commercial product, process, or service by its trade name, trademark, manufacturer, or otherwise, does not necessarily constitute or imply its endorsement, recommendation, or favoring by the United States Government or any agency thereof, or the Regents of the University of California. The views and opinions of authors expressed herein do not necessarily state or reflect those of the United States Government or any agency thereof or the Regents of the University of California.

UCRL-8418

UNIVERSITY OF CALIFORNIA

Radiation Laboratory  
Berkeley, California

Contract No. W-7405-eng-48

FAST-NEUTRON SURVEYS USING INDIUM-FOIL ACTIVATION

Lloyd D. Stephens and Alan R. Smith

August 13, 1958

**FAST-NEUTRON SURVEYS USING INDIUM-FOIL ACTIVATION**

Lloyd D. Stephens and Alan R. Smith

Radiation Laboratory  
University of California  
Berkeley, California

August 13, 1958

**ABSTRACT**

Activation of indium foils by thermal neutrons has been applied to measurement of fast-neutron fluxes. Foils are encased in paraffin spheres placed in cadmium boxes. The high-energy neutrons that penetrate the cadmium become thermal neutrons; the thermal-neutron flux is proportional to the incident fast-neutron flux over a range of about 20 kev to 20 Mev. The foils are removed from the boxes and counted on a methane-flow proportional counter. High instantaneous neutron fluxes are easily detected and counted by use of these foils. Many simultaneous measurements have been made easily by this method.

## FAST-NEUTRON SURVEYS USING INDIUM-FOIL ACTIVATION

Llody D. Stephens and Alan R. Smith

Radiation Laboratory  
University of California  
Berkeley, California

August 13, 1958

About a year ago our understanding of radiation fields at the Bevatron and other accelerators had progressed to a point at which we recognized the need for more information, and therefore for another method to measure exactly the neutron fluxes existing there. Many locations near these accelerators are quite inaccessible for radiation measurements during operation. This inaccessibility made it necessary to develop a method for remotely surveying such areas. Also, simultaneous measurements at various locations are often necessitated because radiation patterns change as operating conditions change. We are in the process of determining as many of these patterns as possible at the Bevatron (our chief concern during recent years), the cyclotron, and the heavy-ion linear accelerator. There was need also for a method that did not require large amounts of electronic equipment.

We have found that the activation of indium foils by thermal neutrons can be applied to the measurement of fast-neutron fluxes. The foils are activated by exposure to the neutron flux, then removed for counting.

Foils weighing 300 to 500 mg are placed inside paraffin spheres (3 in. in radius) which are in turn placed inside boxes made of 1/32-in. cadmium (Fig. 1). The cadmium absorbs the slow neutrons present in the incident flux, and the paraffin moderates the high-energy neutrons, which then activate the indium.

A 0.005-in. -thick foil is mounted in a 0.007-in. -deep depression in a thin lucite disc. The lucite disc fits into a milled depression in either the spherical paraffin moderator or an aluminum plate used on the counting system. The foils are thus accurately positioned during both the exposure and the counting process.

The counting was originally done by using a standard G-M tube, surrounded by a 3-in. -thick lead shield, and a scaler; however, as a later development in the technique, the foils are now counted in a gas-flow

proportional counter designed and built at this laboratory. Standard Radiation Laboratory counting equipment is used. A block diagram is shown in Fig. 2.

The counter is calibrated prior to the start of a run by using a Cs<sup>137</sup> source. Cesium-137 was chosen because it decays to give  $\beta$ -particles of about the same energy as those from indium, and it has a useful half life. Integral bias curves are shown in Fig. 3 for two different high voltages and for three different amplifier gains. In nearly all cases the discriminator is set at 10 volts and the counter is normally operated at 3000 volts. This gives a counting rate equal to 93% to the zero-bias counting rate. The counter has a background counting rate of 8 counts per minute. The gas used is methane of at least 99.9% purity; however, heating gas as supplied by the local utility company has been found to work well. The gas is passed through the counter at from 30 to 50 cc per minute. Counting rate is independent of gas-flow rate over a wide range.

The foils as now used give a counting rate of 12 counts per minute per gram of indium for a fast-neutron flux of 1 neutron per cm<sup>2</sup> per second. The response of the foils has been checked by exposing them to Po-Li, mock fission, and Po-Be neutron sources as well as neutrons from the d-d and d-t reactions. The results of these exposures are shown in Fig. 4.

The 3-in. thickness of paraffin was chosen after consideration of the response of enriched BF<sub>3</sub> proportional counters to the same range of energies and to various thicknesses of paraffin. Most of the curves of counting rate vs paraffin thicknesses show an efficiency peak in the region of 2 to 3 in. of paraffin over the range from 30 keV to about 20 MeV.

In measurements made at the Bevatron the presence or absence of targets correlated very well with the activation of the individual foils. As many as 16 measurements are made simultaneously around the magnet ring and tangent tanks. In some of these areas, conventional counters and electronics are disabled owing to the exceedingly high instantaneous flux that is characteristic of pulsed machine operation. The indium foils are of course immune to errors caused by these high counting rates.

In addition, for counting by conventional methods, this number of simultaneous measurements would require an impressive quantity of electronic equipment. When it is desirable to correlate corresponding data from several simultaneous foil surveys, a monitor foil is placed in the center of the Bevatron pit. All runs are then normalized to this monitor.

Through the use of this technique the first truly coherent picture of the simultaneous fast-neutron radiation pattern at the Bevatron has been achieved. Prior to this time, the radiation patterns were represented only as isolated distributions which were difficult to correlate into an understandable picture. Figure 5 shows the results of two specific runs. Table I generally explains the reasons for the existence of the various peaks during those runs in terms of the several targets that were present.

Measurements have also been made along a radius line from the central crane-support column to the edge of the mezzanine. Figure 6 is a section view of the Bevatron showing the radius along which measurements were made. Figure 7 shows the results of these measurements. Bare foils were used first. These give a picture of the slow-neutron flux. The expected increase above the shielding concrete is apparent. The foils surrounded by the moderator show a continuing decrease in the flux of fast neutrons from the center of the building to the outer walls.

At present this indium-foil technique has both advantages and disadvantages. Some of the advantages have been mentioned but in general they are:

1. Many simultaneous measurements are possible.
2. The locations where foils may be placed are quite unrestricted.
3. The results are unambiguous, as the induced activity is caused solely by neutrons.
4. High neutron-flux rates do not cause trouble. The foils are not disabled as are conventional electronic counters.
5. The entire system is simple.

Some of the disadvantages or limitations are:

1. The system is quite insensitive with respect to energy.
2. Owing to the relatively short half life (54 minutes), the total flux can be integrated only over periods that are short compared with 54 minutes.
3. The count rate from the foils is too low to be of much value in the measurement of fluxes below the tolerance region.

At present we have used the foils as measures of relative neutron fluxes--that is, for comparison of fields at different stations around the Bevatron. We have so far made only limited attempts to apply this technique to measurement of actual neutron fluxes.



Other work in progress along these lines is to develop a counting system large enough to handle two foils about 6 by 9 in. each. It is expected that much smaller fluxes can be measured by this method.

Table I

Run 1	Targets		Beam conditions		
	Location	Material	Energy (Bev)	Intensity (protons per pulse)	Pulse rate (pulses per minute)
1 Jan. 1957	WIN	0.016 in. Mylar + 0.001 in. Al	6.2	$\sim 3 \times 10^{10}$	10
	69° SOW	0.5 in. Al 0.00025 in. Al			

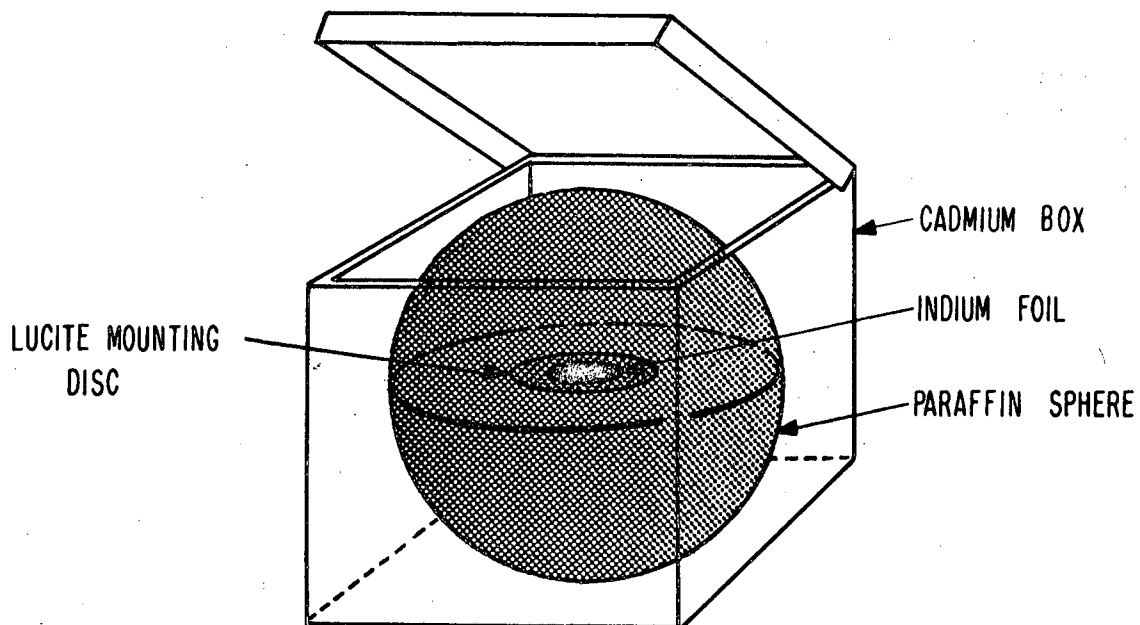
## Comments:

1. WTT - Center foil behind concrete shield, peak is obscured.
2. NTT - Peak produced by 69° target.
3. ETT - Peak probably related to injector apparatus in tank.
4. STT - Peak probably related to SOW spillout control foil and induction electrode in tank.
5. Magnet quadrants - Low uniform levels.

Run 2	WIN	0.5 in. C	6.2	$6-8 \times 10^{10}$	10
30 Jan. 1957	1°59'	1 in. C			
	SOW	0.00025 in. Al			
	EIS	6 in. Cu			

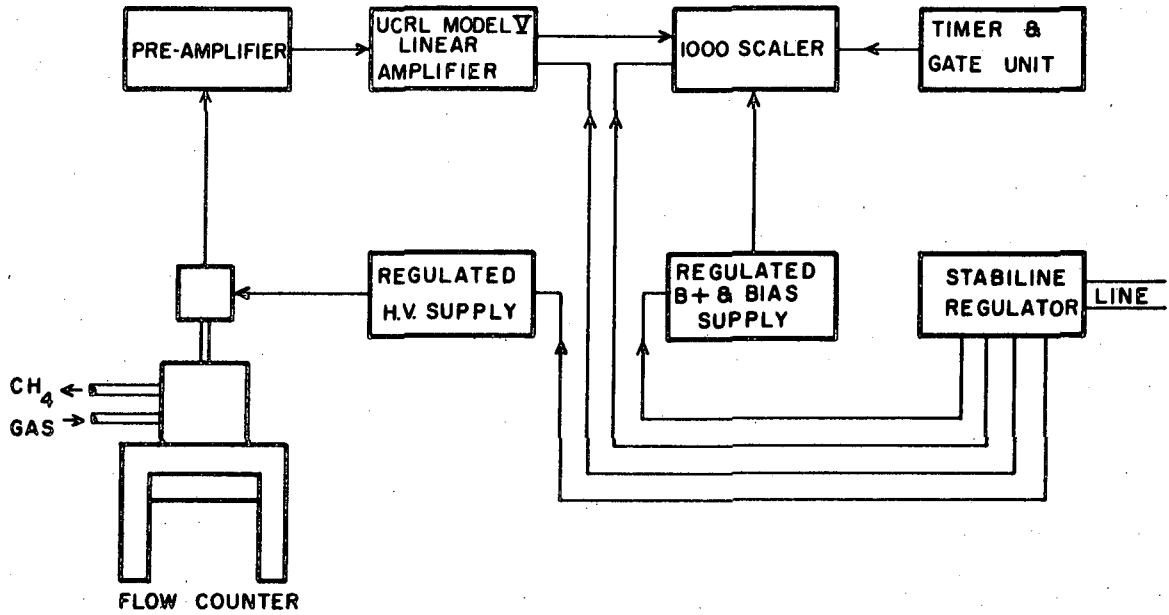
## Comments:

1. WTT - Foil in the clear; peak very pronounced.
2. NTT - Peak essentially absent.
3. ETT - Peak much higher than Run 1, associated with clipper located here.
4. STT - Peak as for Run 1 - spillout control foil and induction electrode.
5. Magnet quadrants - Same as Run 1



MU-15,255

Fig. 1. Phantom view showing placement of indium foil inside paraffin sphere and cadmium box container.



MU-16005

Fig. 2. Electronics block diagram for proportional counter.

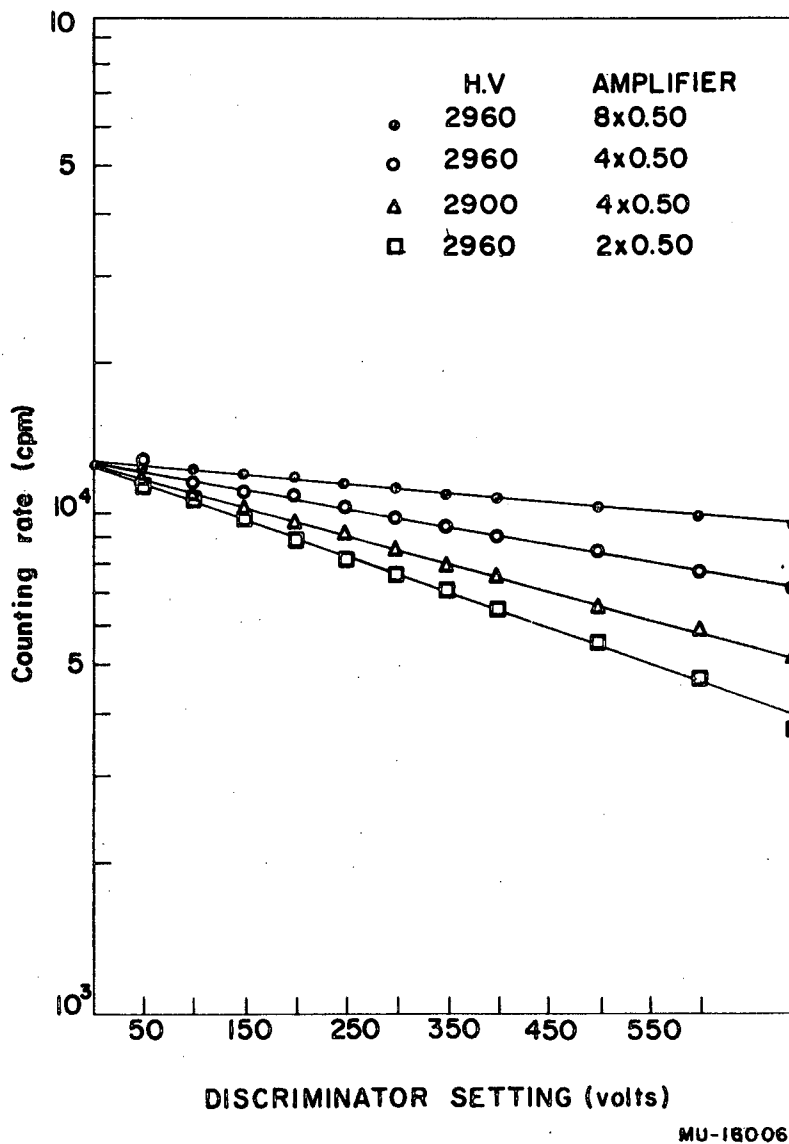
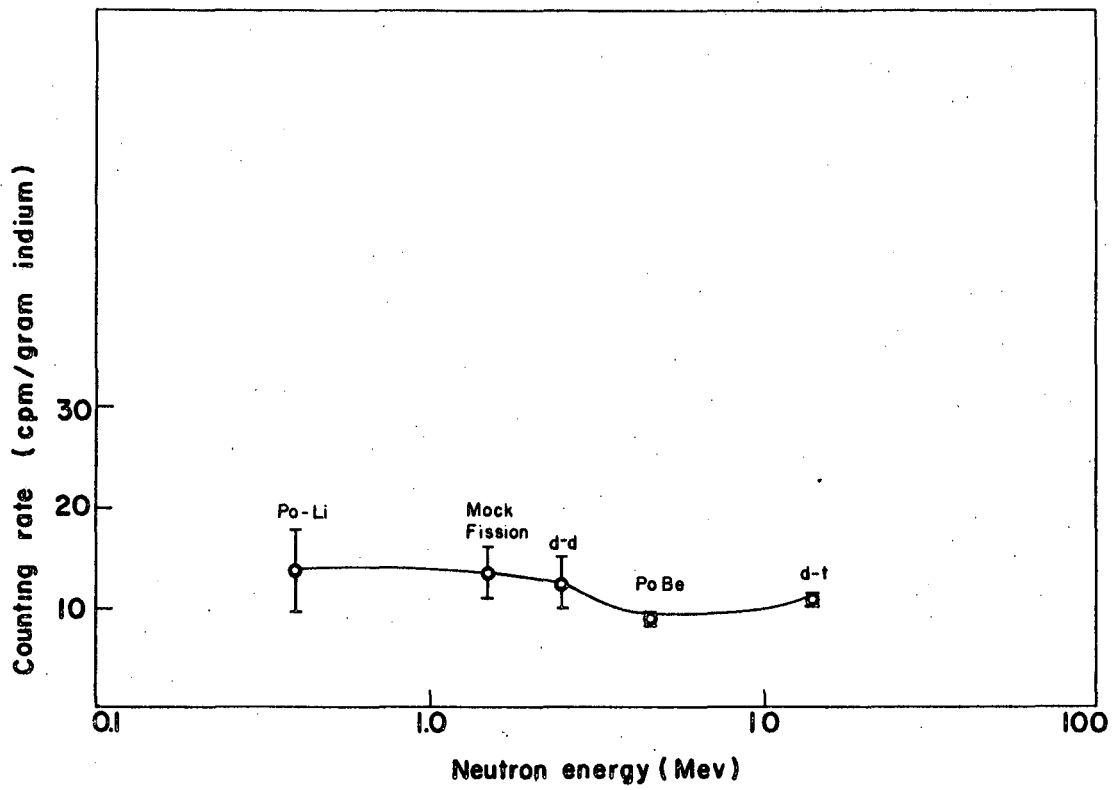
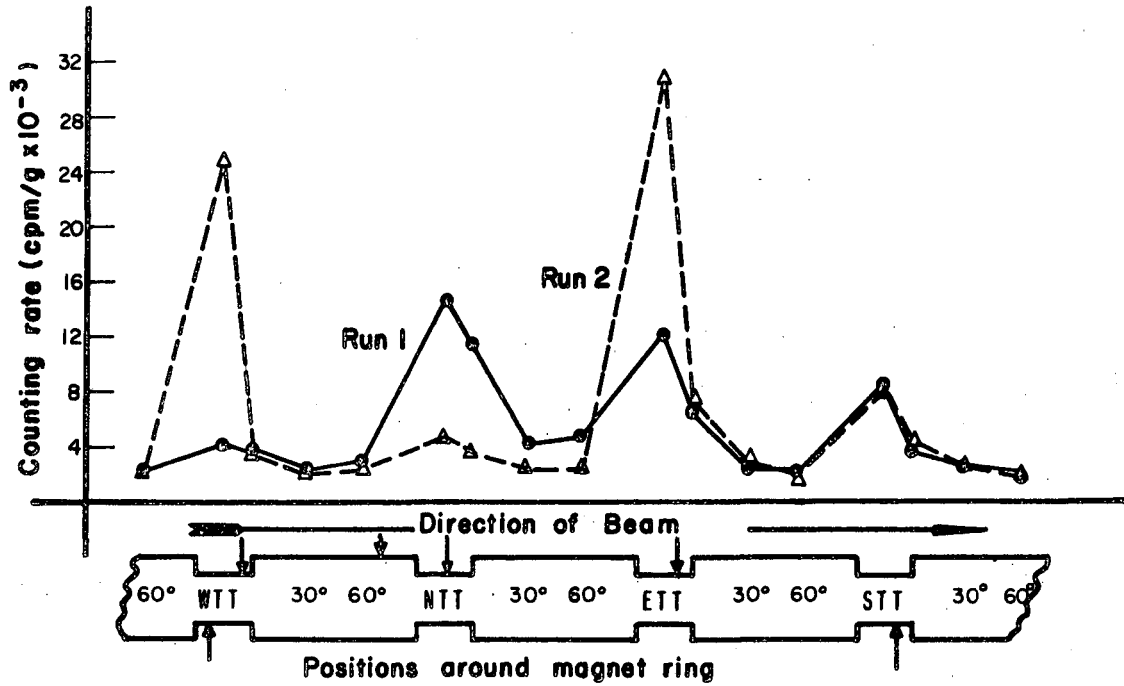


Fig. 3. Proportional counter integral bias curve. Cs<sup>137</sup> source.



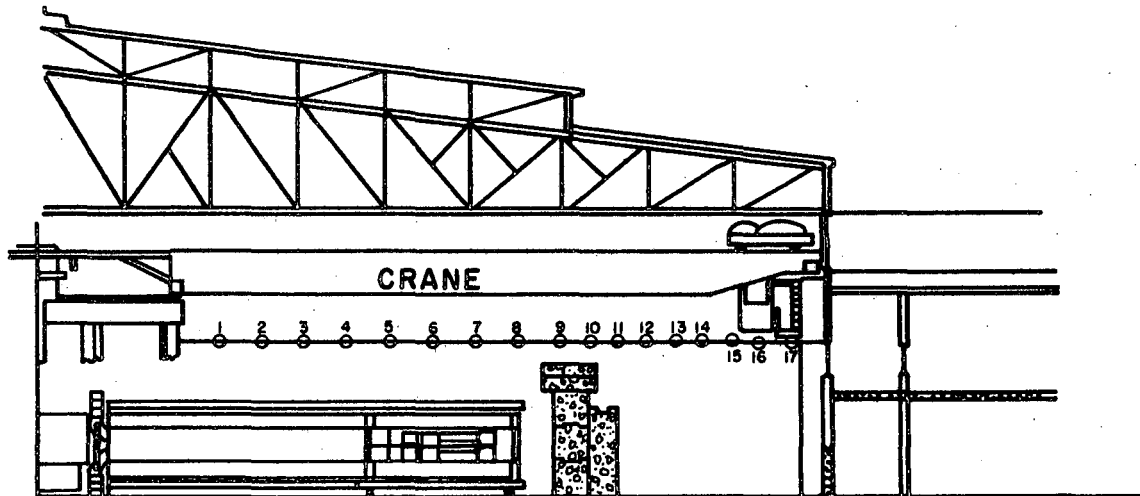
MU-16007

Fig. 4. Counting rate vs neutron energy. (cpm/gram of indium due to 1 neutron per cm<sup>2</sup> per second.)



MU-16008

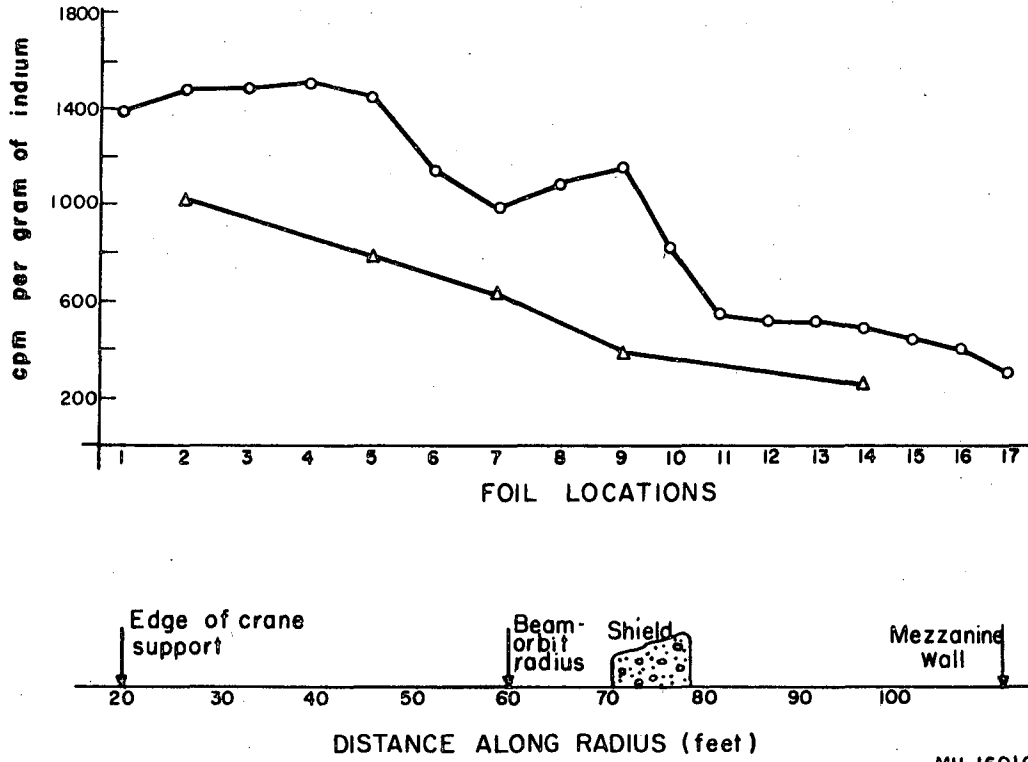
Fig. 5. Counting rates at various positions around Bevatron magnet ring. (Actual activity of monitor foils, Run 1-1850 cpm/g; Run 2 - 4480 cpm/g.)



MU-16009

Fig. 6. Section view of Bevatron and building through Bay 20 showing radial positions of indium foils.





MU-16010

Fig. 7. Counting rates at various radial positions through Bay 20 of Bevatron building.

- △ Bare foils
- Foils enclosed in paraffin and cadmium

This report was prepared as an account of Government sponsored work. Neither the United States, nor the Commission, nor any person acting on behalf of the Commission:

- A. Makes any warranty or representation, express or implied, with respect to the accuracy, completeness, or usefulness of the information contained in this report, or that the use of any information, apparatus, method, or process disclosed in this report may not infringe privately owned rights; or
- B. Assumes any liabilities with respect to the use of, or for damages resulting from the use of any information, apparatus, method, or process disclosed in this report.

As used in the above, "person acting on behalf of the Commission" includes any employee or contractor of the Commission to the extent that such employee or contractor prepares, handles or distributes, or provides access to, any information pursuant to his employment or contract with the Commission.