

Lawrence Berkeley National Laboratory

Lawrence Berkeley National Laboratory

Title

DESIGN AND OBSTRUCTION OF A REACTOR FOR IN SITU INFRARED STUDIES OF CATALYTIC REACTIONS

Permalink

<https://escholarship.org/uc/item/7nh665r6>

Author

Hicks, R.F.

Publication Date

1981-02-01



Lawrence Berkeley Laboratory

UNIVERSITY OF CALIFORNIA

Materials & Molecular Research Division

Submitted to the Journal of Catalysis

RECEIVED
MAY 22 1981
LIBRARY
DOCUMENTS

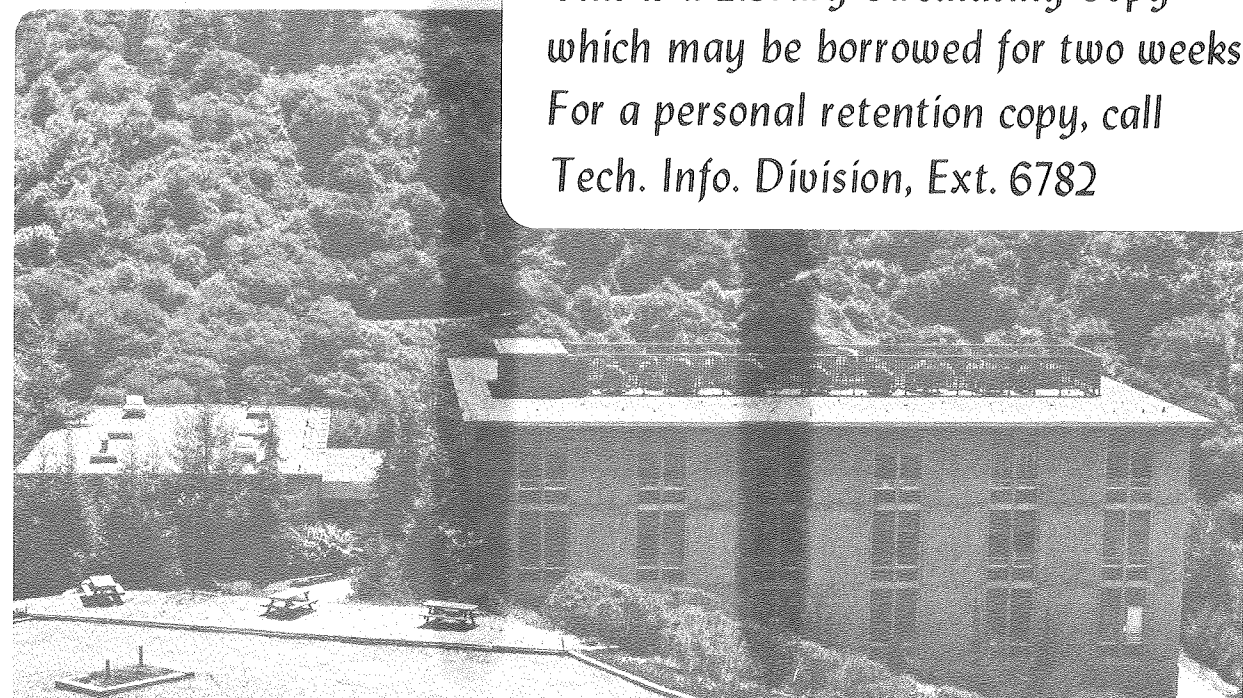
DESIGN AND CONSTRUCTION OF A REACTOR FOR IN SITU
INFRARED STUDIES OF CATALYTIC REACTIONS

R.F. Hicks, C.S. Kellner, B.J. Savatsky,
W.C. Hecker, and A.T. Bell

February 1981

TWO-WEEK LOAN COPY

*This is a Library Circulating Copy
which may be borrowed for two weeks.
For a personal retention copy, call
Tech. Info. Division, Ext. 6782*



*LBL-12234
c.2*

DISCLAIMER

This document was prepared as an account of work sponsored by the United States Government. While this document is believed to contain correct information, neither the United States Government nor any agency thereof, nor the Regents of the University of California, nor any of their employees, makes any warranty, express or implied, or assumes any legal responsibility for the accuracy, completeness, or usefulness of any information, apparatus, product, or process disclosed, or represents that its use would not infringe privately owned rights. Reference herein to any specific commercial product, process, or service by its trade name, trademark, manufacturer, or otherwise, does not necessarily constitute or imply its endorsement, recommendation, or favoring by the United States Government or any agency thereof, or the Regents of the University of California. The views and opinions of authors expressed herein do not necessarily state or reflect those of the United States Government or any agency thereof or the Regents of the University of California.

Design and Construction of a Reactor for
In Situ Infrared Studies of Catalytic Reactions

by

R. F. Hicks, C. S. Kellner, B. J. Savatsky,
W. C. Hecker, and A. T. Bell

Materials and Molecular Research Division
Lawrence Berkeley Laboratory

and

Department of Chemical Engineering
University of California
Berkeley, California 94720

Submitted to

Journal of Catalysis

Transmission infrared spectroscopy is a very useful technique for characterizing the structure of adsorbed species present on a catalyst under reaction conditions. Reactors for conducting such in situ studies have been described by a number of authors [e.g., refs. (1-7)]. In the present note we wish to report the details for a very simple reactor which can be used to study catalytic reactions at moderate temperatures ($<573\text{K}$) and elevated pressures. The reactor has a very low dead volume and a short optical path length, and is built in such a fashion that infrared windows and catalyst samples can be replaced quite easily.

An exploded view of the reactor is shown in Fig. 1 and more detailed views of the primary components are shown in Fig. 2. The reactor body is constructed of two 316 stainless steel flanges, 7.62 cm in diameter. Knife edges are cut into both flanges to permit the formation of a gas-tight seal when the reactor is assembled. Polycrystalline CaF_2 windows (Harshaw Chemical Co.), 25 mm wide and 7 mm thick, are placed into wells cut in each flange. The seal between each window and its corresponding flange is formed by Kalrez O-rings (Du Pont). The bottom flange has two passages, terminated by 1/16" Swagelok fittings, one for the inlet and one for the outlet of the gas flow. A third passage is used to introduce a 0.8 mm sheathed thermocouple. By soldering a 1.6 mm sleeve over the sheath, the thermocouple can be seated into the reactor using a 1/16" Swagelok fitting.

A pressed catalyst wafer, 20 mm wide and 0.25 mm thick, weighing 75 mg, is held in an aluminum sample holder. Grooves cut on the inside surfaces of the sample holder assure an even distribution of gas flow around the catalyst disk and good gas

mixing in the space surrounding the catalyst disk. A small notch located on one side of the holder permits insertion of the thermocouple and prevents rotation of the holder in the reactor. By placing the thermocouple in close proximity with the catalyst, an accurate measurement of the catalyst temperature can be obtained.

When the reactor is assembled, the CaF_2 windows press directly against the sample holder and act as walls for the cavity surrounding the catalyst disk. The gas volume of this cavity is 0.4 cm^3 and the optical path length through the cavity is 2.4 mm, including the thickness of the catalyst disk. Because the gas cavity volume is small, residence times of a few tenths of a second can be achieved with gas flow rates of several hundred cubic centimeters per minute at STP. This characteristic is particularly attractive for the conduct of transient response studies. The short optical path length through the reactor helps to minimize infrared absorption in the gas phase, thereby facilitating the detection of spectral features due to adsorbed species.

The reactor is heated by two Heat-Sheet etched foil heating elements (Thermal Circuits, Inc.), each of which is capable of delivering 200 W. To distribute the heat evenly, a 0.32 cm thick copper gasket is placed between each heating element and the circular face of the flange that it heats. The reactor temperature is maintained constant to within $\pm 0.5 \text{ K}$ by a time-proportioning temperature controller (Omega Eng., Inc.) which is connected to the heating elements and the thermocouple located inside the reactor.

The reactor described here has been used to study the hydrogenation of CO at temperatures up to 573 K and pressures as high

as 2.4 MPa. No problems have been encountered with either extended operation or cycling of the temperature between 373 and 573K. The upper limit on the operating temperature is 590 K and is set by the Kalrez O-rings. The upper limit on pressure is not as clearly established. Based on the manufacturer's literature (9), the CaF_2 windows described here can be used for pressures up to 7.6 MPa at a temperature of 298 K. The extent to which this limit should be reduced at higher temperatures is not specified. It should be noted that operation of the reactor at higher pressures could have been achieved by using thicker windows and altering the dimensions of the flanges accordingly.

ACKNOWLEDGMENT

This work was supported by the National Science Foundation under Grant 78-26352 A01 and by the Director, Office of Energy Research, Office of Basic Energy Sciences, Chemical Sciences Division of the U.S. Department of Energy, under Contract #W-7405-ENG-48.

REFERENCES

1. London, J., and Bell, A.T., J. Catal. 31, 96 (1973).
2. Gallei, E., Schadow, E., Rev. Sci. Instrum. 45, 1504 (1974).
3. Dalla Batta, R. A., and Shelef, M., J. Catal. 48, 111 (1977).
4. Leante, R., Dalla Lana, I.G., Fifth International Symposium on Reaction Engineering, ACS Symp. Ser. No. 65, Am. Chem. Soc., Wash. D.C., 1978.
5. Penninger, J.M.L., J. Catal. 56, 287 (1979).
6. Ekerdt, J.G., and Bell, A.T., J. Catal. 58, 170 (1979).
7. King, D.L., J. Catal., 61, 77 (1980).
8. Harshaw Catalog D-7375, p.15, The Harshaw Chemical Co., 6801 Cochran Rd., Solon, Ohio 44139.

FIGURE CAPTIONS

Fig. 1 Exploded view of the reactor: 1 - top flange;
2 - bottom flange; 3 - Kalrez O-ring; 4 - CaF_2 window;
5 - sample holder; 6 - catalyst disk; 7 - copper gasket;
8 - Swagelok fitting; 9 - sheathed thermocouple;
10- sleeve attached to thermocouple sheath.

Fig. 2 Details of reactor and sample holder: 1 - bottom half
of sample holder; 2 - top half of sample holder; 3 - top
flange; 4 - bottom flange; 5 - knife edge; 6 - O-ring groove;
7 - bolt holes; 8 - thermocouple part; 9 - gas inlet;
10 - gas outlet .

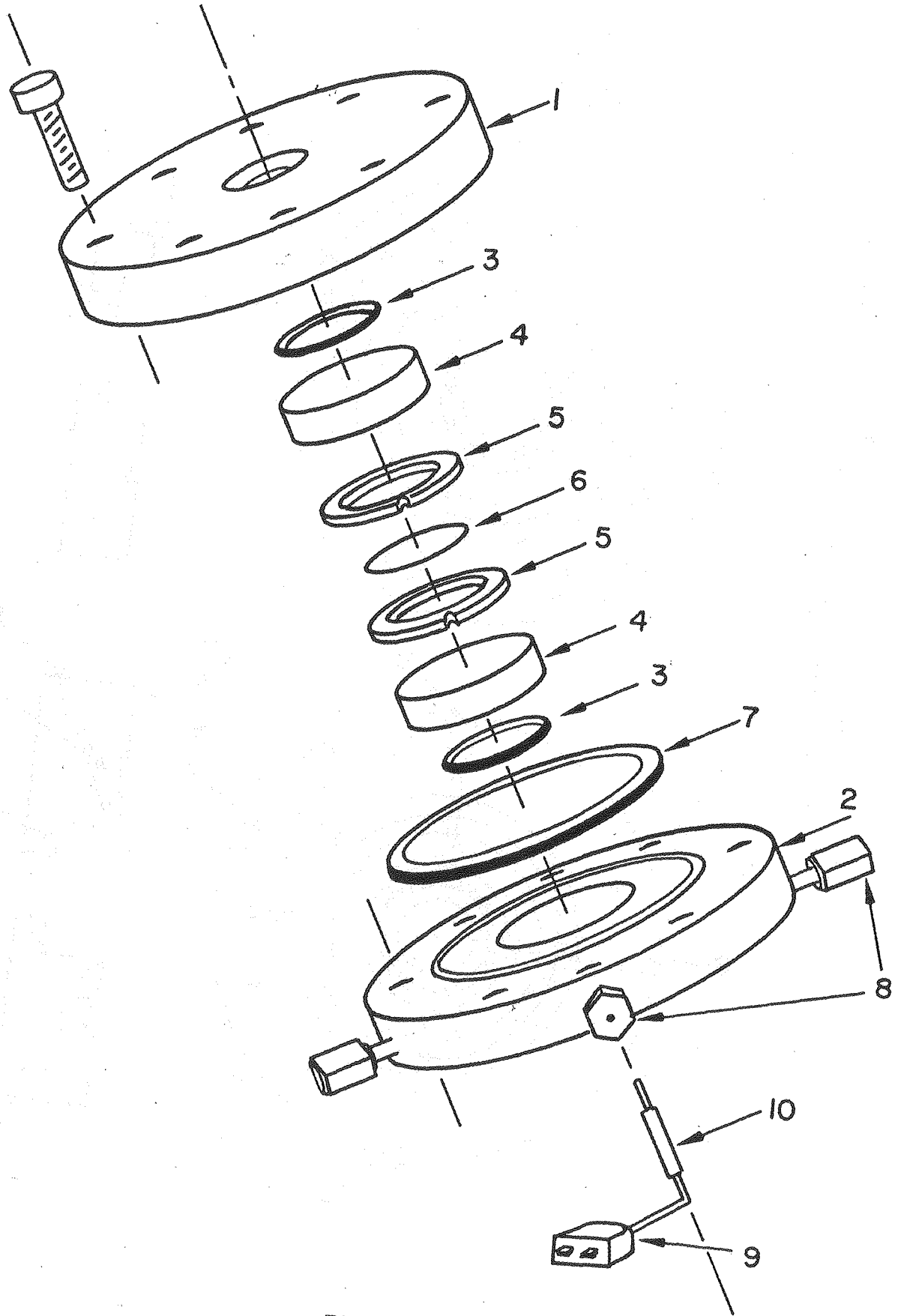


Fig. 1

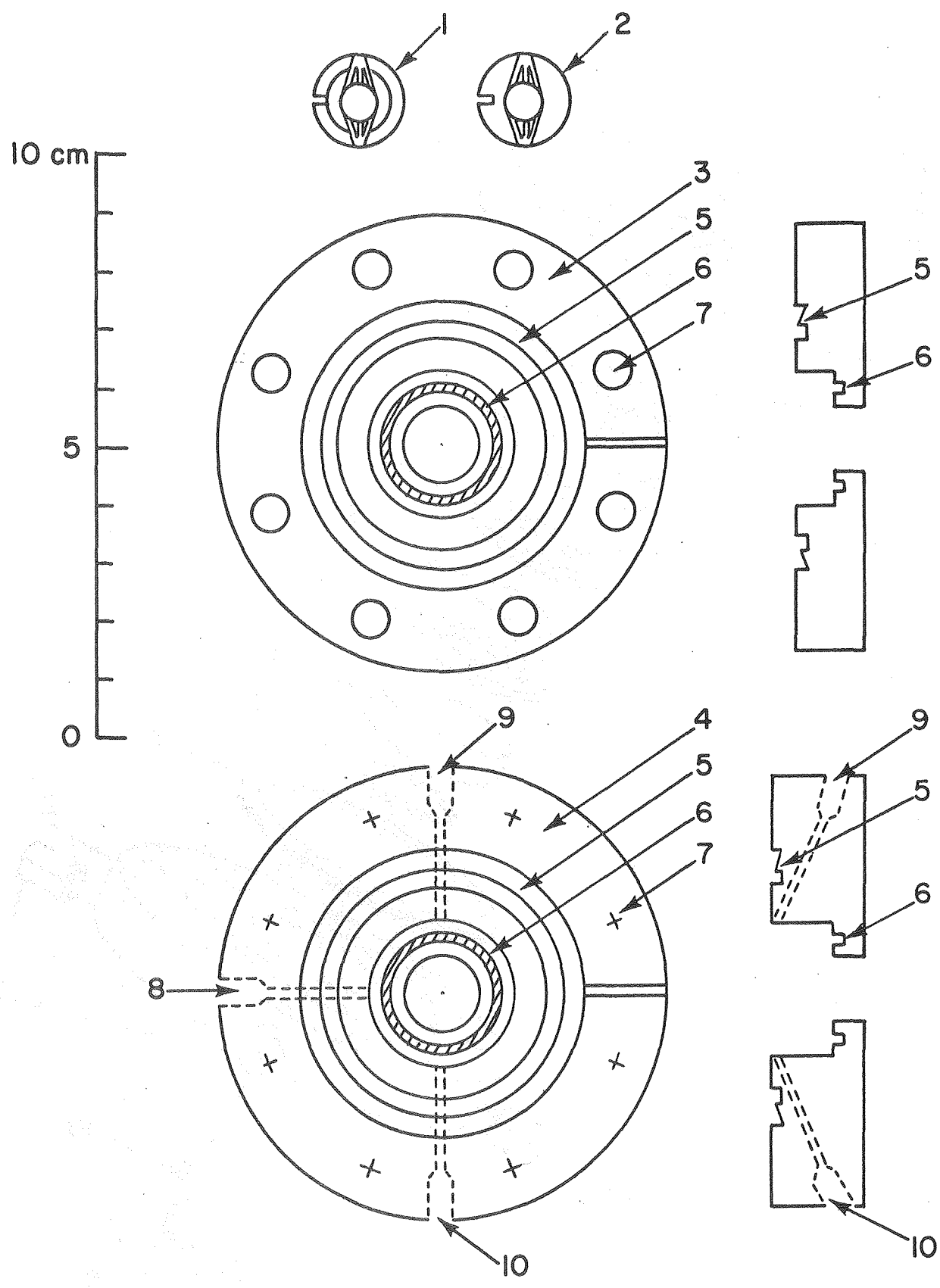


Fig. 2