



Lawrence Berkeley Laboratory

UNIVERSITY OF CALIFORNIA

RECEIVED
LAWRENCE
BERKELEY LABORATORY

AUG 29 1983

LIBRARY AND
DOCUMENTS SECTION

Submitted to the American Journal of Neuroradiology

A HELIUM-ION BEAM FOR STEREOTACTIC RADIOSURGERY OF
CENTRAL NERVOUS SYSTEM DISORDERS

J.T. Lyman, L. Kanstein, F. Yeater, J.I. Fabrikant,
and Y. Hosobuchi

January 1983

TWO-WEEK LOAN COPY

*This is a Library Circulating Copy
which may be borrowed for two weeks.
For a personal retention copy, call
Tech. Info. Division, Ext. 6782.*

Donner Laboratory

Biology & Medicine Division

LBL-16500
e-2

DISCLAIMER

This document was prepared as an account of work sponsored by the United States Government. While this document is believed to contain correct information, neither the United States Government nor any agency thereof, nor the Regents of the University of California, nor any of their employees, makes any warranty, express or implied, or assumes any legal responsibility for the accuracy, completeness, or usefulness of any information, apparatus, product, or process disclosed, or represents that its use would not infringe privately owned rights. Reference herein to any specific commercial product, process, or service by its trade name, trademark, manufacturer, or otherwise, does not necessarily constitute or imply its endorsement, recommendation, or favoring by the United States Government or any agency thereof, or the Regents of the University of California. The views and opinions of authors expressed herein do not necessarily state or reflect those of the United States Government or any agency thereof or the Regents of the University of California.

A HELIUM-ION BEAM FOR STEREOTACTIC
RADIOSURGERY OF CENTRAL NERVOUS SYSTEM DISORDERS

John T. Lyman²

Leal Kanstein

Fred Yeater

Jacob I. Fabrikant³

Yoshio Hosobuchi⁴

Division of Biology and Medicine

Lawrence Berkeley Laboratory

University of California

Berkeley, CA

and

University of California School of Medicine

San Francisco, CA

- 1 Research supported by the Office of Energy, Health and Environmental Research of the United States Department of Energy under Contract No. DE-AC03-76SF00098
- 2 Adjunct Professor of Radiation Oncology, University of California, San Francisco
- 3 Professor of Radiology, University of California, San Francisco
- 4 Professor of Neurological Surgery, University of California, San Francisco

Mailing address: J.T. Lyman, Lawrence Berkeley Laboratory,
Mailstop 55-121, University of California,
Berkeley, CA 94720

ABSTRACT

A new radiation beamline configuration for stereotactic heavy-ion Bragg peak radiosurgery of patients with intracranial deep arteriovenous malformations, including carotid-cavernous fistulas, has been developed using the 230 MeV/u helium-ion beam at the 184-inch Synchrocyclotron at the University of California, Berkeley. The modified beam has five characteristics: (1) a uniform field between 1 cm and 4 cm in diameter; (2) a variable depth of penetration between 4 cm and 14 cm; (3) a stopping region for primary ions that can be broadened up to 4 cm; (4) sharply defined lateral and distal borders; and (5) a dose-rate greater than 2 Gy/min. It is adapted to the ISAH (Isocentric Stereotaxic Apparatus for Humans) at the Synchrocyclotron and is designed to reach all intracranial targets. It has proven suitable for all patients with intracranial vascular disorders treated with stereotactic radiosurgery at our laboratory.

INTRODUCTION

The introduction of the experimental treatment of intracranial vascular disorders, primarily inaccessible and inoperable deep arteriovenous malformations (AVM), including carotid-cavernous fistulas (CCF), using stereotactically-directed heavy charged particle or gamma beam focal irradiation in the brain is new, and holds significant promise for alleviating the risks of morbidity and of mortality in selected neurological patients (1-5). The intracranial deep AVMs have three important features. (1) They have a significant incidence of spontaneous intracranial hemorrhage that leads to either severe morbidity or to mortality. (2) Even in the absence of serious hemorrhage, nevertheless, due to progressive cerebral ischemia, patients develop progressive and irreversible neurological deficits, including motor and sensory dysfunctions, mental deterioration, and blindness. (3) The abnormal intracerebral blood flow dynamics, mass effect, and brain ischemia frequently induce seizures, which are refractory to medication because of the chronic venous hypertension in the brain. The present report describes the development of a charged-particle helium-ion beam for stereotactically-directed Bragg peak* irradiation of brain disorders in patients at the Donner Laboratory, and particularly for application to treatment of deep AVMs.

* Named for W. G. Bragg, who first observed that monoenergetic alpha particles have a well-defined range in air and ionize most heavily near the end of their path (6).

BACKGROUND

The physical properties of heavy charged-particle beams offer some unique advantages in neuroscience research. The beams have Bragg ionization peaks with release of energy at the end of their range, minimal scattering, finite range and small range straggling (7). Investigations using proton, deuteron and helium-ion beams have shown that these beams can be used effectively in brain research in animals and in treatment of selected human brain disorders (5,8-11). The 184-inch Synchrocyclotron at the Lawrence Berkeley Laboratory was first used for biological studies in 1948 (8) and for the treatment of patients in 1954 (9) using proton or deuteron beams. The helium-ion beam from the 184-inch Synchrocyclotron (Fig. 1) has been used since 1958 for stereotactic irradiation of the pituitary gland in patients with endocrine and metabolic disorders; here the plateau portion of the Bragg curve has been utilized (12,14). In addition, other sites in selected neurological or cancer patients have been irradiated using the high-energy plateau portion (15) or the Bragg peak (12,16,17), of the helium beam. In 1975, following modifications to produce a beam for large-field cancer radiotherapy (18), a heavy particle cancer radiotherapy program was initiated (17,19). For cancer therapy, in this configuration, field sizes as large as 30 cm circles are used with residual ranges as great as 26 cm. The capability for treating eye tumors (ocular melanomas) was later added to the readily available beam conditions (20). This therapy setup is for beam diameters less than 2.5 cm and residual ranges less than 3 cm.

In 1980, we began investigations on stereotactic radiosurgery (1,4,21) in the central nervous system using the Bragg peak of the helium-ion beam at the 184-inch Synchrocyclotron, primarily for intracranial vascular disorders (22).

The use of stereotactically-directed focal radiation beams for the treatment of inoperable intracranial deep arteriovenous malformations, including carotid-cavernous fistulas, has been applied by Leksell and his colleagues (1,2) using multiple cobalt-60 gamma beams at the Karolinska Sjukhuset in Stockholm, by Kjellberg and his colleagues (3) using the proton beam at the Harvard cyclotron, and by Barcia-Salorio (23) at the University of Valencia, Spain, using a conventional cobalt therapy unit (24).

To perform intracranial stereotactic radiosurgery with the Bragg peak, it was necessary to develop a specially-designed small field beamline configuration at the 184-inch Synchrocyclotron, since the existing stereotactic irradiation facility used for pituitary irradiation of patients (25) was not optimized for use with the Bragg peak. The major requirements for a helium-ion beam for stereotactic radiosurgery were to develop a beam with five characteristics: (1) a uniform field between 1 cm up and 4 cm in diameter; (2) a variable depth of penetration variable between 4 cm and 14 cm; (3) a stopping region for the primary ions that could be broadened up to 4 cm; (4) sharply defined lateral and distal borders; and (5) a dose-rate greater than 2 Gy/min.

METHODS AND MATERIALS

The range in water of the 230-MeV/u helium-ion beam at the 184-inch Synchrocyclotron is approximately 32 cm. This range is greater than that needed to reach any intracranial target; therefore, it is necessary to degrade the beam energy in order to obtain the required residual range. This must be done in a manner that minimizes the beam straggling, the multiple scattering and the loss of the primary ions due to nuclear interactions (26).

Beam Edge Sharpness

To achieve a sharp lateral edge to the beam and thus, to the treatment volume, the penumbra of the beam is kept as small as practical, consistent with all other requirements, and the beam passing through the final collimator is essentially parallel. These conditions are met by placing all the beam degrading material about 3.6 m upstream of the final beam collimator. The beam striking the degrader is approximately 3 by 4 cm (FWHM). Immediately after the degrading material the beam is collimated by a 2.2-cm brass collimator. This geometry produces a geometric penumbra of 0.9 mm at a position 15 cm downstream of the final collimator. The angular spread of the beam collimated to a 3.0 cm diameter is less than 0.5 deg.

Beam Energy Degradation

The beam energy must be reduced from 230 MeV/u to about 145 MeV/u for the maximum desired residual range (27,28). For a given energy loss, higher atomic number (Z) materials scatter the beam more than lower Z materials (28). At the position selected for the degrading material, polyethylene alone does not result in sufficient multiple scattering to provide the uniformity of dose-distribution desired over the treatment field at the isocenter of the patient positioner. Due to space limitations, it is not practical to place the polyethylene absorber further upstream of the irradiation position. Therefore some of the degrading of the beam energy is accomplished with copper. Using only a copper absorber scatters the beam more than required for the appropriate beam diameter and reduces the dose-rate below the minimum acceptable level. Thus, a combination of materials was selected to provide sufficient scattering of the beam to obtain an acceptable uniform irradiation field while minimizing the loss of the useful beam. An additional consideration was to limit the

amount of induced radioactivity with long half-lives. The induced activity in the polyethylene is carbon-11, with a 20.5 min half-life. Therefore, the beam is degraded by first the polyethylene then the copper absorbers before the initial collimation with a brass collimator.

The energy degradation is accomplished with a composite absorber consisting of 15.3 cm of polyethylene followed by 0.34 cm of copper. Adjustments in the depth of penetration in the phantom or patient are made with an additional thickness of polyethylene added to the front of the fixed degrader. The modulation of the stopping region of the beam is controlled by a rotating variable thickness acrylic absorber (30) located upstream of the beam degraders. The beam current is monitored by parallel-plate transmission type ionization chambers (31) located upstream of the beam modulator and degrader, and by another transmission ionization chamber located behind an intermediate collimator (7.0 cm diameter).

Radiation Dose Measurement

The dose at the stereotactically-determined isocenter of the patient positioner, i.e., within the patient's brain, is obtained by calibration of the transmission chambers with a tissue-equivalent (TE) ionization chamber¹ located at the isocenter of the patient positioner. Depth-dose curves are obtained by scanning the TE ionization chamber along the beam path in an acrylic box filled with water. Measurements are also made by scanning a diode (32,33) in the water-filled box. Beam profiles are obtained from diode scans across the beam axis and from densitometry of X-ray films exposed at different depths of penetration in a polyethylene phantom.

¹ Far West Technology, Goleta, CA

RESULTS

Depth-dose measurements with the tissue-equivalent ionization chamber indicated a maximum range to the Bragg peak of 14.7 cm in water; this includes 0.5 cm for the wall thickness of the ionization chamber and its watertight housing (Fig. 2). The dose beyond the Bragg peak decreases from 90 percent of the maximum to 10 percent within 6 mm. The peak-to-plateau ratio was 2.58. Because the geometry of the tissue-equivalent ionization chamber causes poor resolution of the Bragg ionization peak, the measurement was also made with a transmission chamber behind a variable water absorber (34). This measurement resulted in a peak-to-plateau ratio of 3.09, which is felt to be more indicative of the maximum dose in the unmodified Bragg peak.

The depth-dose distribution with the stopping region broadened by 2.5 cm is shown in Fig. 3. The slope of the dose curve in the broadened stopping region is intentional, and is designed to approximate a uniform biological equivalent dose (35-37). The beam profile was measured with a diode and with X-ray film at the midpoint of the 2.16 cm broadened stopping region. The lateral edge of the beam is sharpest at all depths when the final collimator is placed in contact with the entrance surface of the polyethylene or water phantom (Table 1).

A dose-rate of 4.0 Gy/min is regularly and uniformly delivered in the modified Bragg peak, permitting no more than 1-3 minute treatment duration per portal for stereotactic radiosurgery in the brain.

DISCUSSION

A new beamline configuration, intended primarily for stereotactic radiosurgery in the brain with the Bragg ionization peak of the 230-MeV/u helium-ion beam at the 184-inch Synchrocyclotron has been developed. This modified beam has a 14.7 cm range in water to the Bragg peak with sharply delimited lateral and distal borders. The practical limits on beam diameter range from 0.6 cm to 4.0 cm. The unmodulated Bragg peak maximum dose is greater than 3 times the entrance dose and the width of the peak at 80 percent of the maximum is 0.7 cm. The energy of the beam can be modulated by a rotating acrylic variable-thickness absorber to increase the width of the high-dose region to as much as 4.0 cm. The physical properties of this beam are similar to that of the proton beams that have been available for stereotactic radiosurgery at the Harvard Cyclotron Laboratory (30) and at the Gustaf Werner Institute in Uppsala, Sweden (4,5). The maximum range of the helium-ion beam is greater than that of these proton beams; therefore, more energy degradation is necessary to obtain the same residual range. But since the nuclear charge and mass of helium is larger than the proton, the multiple scattering and the range straggling can be less for the same residual range in tissues.

This helium-ion beam has proven suitable for fundamental and clinical neuroscience research to induce focal lesions in the central nervous system. It provides improved dose localization and dose-distribution for stereotactic radiosurgery of the of neurological patients with intracranial deep arterio-venous malformations, including carotid-cavernous fistulas, thus far treated at the 184-inch Synchrocyclotron (38). Studies are in progress to develop beam characteristics of heavier ions, such as carbon, with small uniform transverse

profile and modified Bragg peak for improved dose distribution at the Bevalac (26,39-43). These heavier ion beams have physical characteristics with unique advantages for application to stereotactic radiosurgery of the central nervous system (22,43).

REFERENCES

1. Leksell L. Stereotaxis and Radiosurgery, Thomas, Springfield, 1971
2. Steiner L, Backlund EO, Greitz T, Leksell L, Noren G, Rahn T. Radiosurgery in intracranial arteriovenous malformations. II. A follow-up study. In: Neurological surgery (Carrea R, LeVay D, ed). Amsterdam, Excerpta Medica, 1978:168-180
3. Kjellberg RN, Poletti CE, Roberson GH, Adams RD. Bragg peak proton treatment of arteriovenous malformations of the brain. In: Neurological surgery (Carrea R, LeVay D, eds. Amsterdam, Excerpta Medica, 1978:181-187
4. Larsson B. Dosimetry and radiobiology of protons as applied to cancer therapy and neurosurgery. In: Advances in radiation protection and dosimetry in medicine, (Thomas RH, Perez-Mendez V, eds.), New York, Plenum, 1980:367-394
5. Larsson B, Liden K, Sarby B. Irradiation of small structures through the intact skull. Acta Radiol 1974: 13:512-534
6. Bragg WH, Kleeman RD. On the ionization of radium. Philosoph Mag 1904: 8:726-728
7. Wilson RR. Radiological use of fast protons. Radiology 1946: 47:487-491
8. Tobias CA, Anger HO, Lawrence JH. Radiological use of high energy deuterons and alpha particles. Am J Roentgenol 1952: 67:1-27
9. Tobias CA, Lawrence JH, Born JL, McCombs RK, Roberts JE, Anger HO, Low-Bear BVA, Higgins CB. Pituitary irradiation with high-energy proton beams: A preliminary report. Cancer Res 1958: 18:121-134
10. Larsson B. Pre-therapeutic physical experiments with high energy protons. Brit J Radiol 1961: 34:143-151
11. Larsson B, Sarby B. Equipment for radiation surgery using narrow 185 MeV proton beams. Gustaf Werner Institute Report, GWI-R 5/74, 1974

12. Lawrence JH, Tobias CA, Linfoot JA, Born JL, Manougian E, Lyman J. Heavy particles and the Bragg peak in therapy. Ann Int Med 1965: 62:400-407.
13. Lawrence JH, Chong CY, Lyman JT, Tobias CA, Born JL, Garcia JF, Manougian E, Linfoot JA, Connell GM. Treatment of pituitary tumors with heavy particles, In: Diagnosis and treatment of pituitary tumors (Kohler PO, Ross GT, eds.), New York, Excerpta Medica, 1973: 253-262.
14. Tobias CA. Pituitary irradiation: radiation physics and biology. In: Recent advances in the diagnosis and treatment of pituitary tumors. (Linfoot, JA, ed.), New York, Raven, 1979: 221-253
15. Tym R, Lyman JT, Weyand RD, Tobias CA, Yanni NW, Born JL, Lawrence JH. Heavy particles and Parkinson's disease, In: Semiannual Report, Biology and Medicine. Lawrence Berkeley Laboratory Report, UCRL-16613, 1965: 104-105
16. Tobias CA, Lyman JT, Lawrence JH. Some considerations of physical and biological factors in radiotherapy with high-LET radiations including heavy particles, pi-mesons, and fast neutrons. Chap 6, pp 167-218. In: Progress in atomic medicine: Recent advances in nuclear medicine. (Lawrence JH, ed). New York, Grune and Stratton, 1971: 167-218
17. Castro JR. Clinical experience with heavy-ion beams at the Lawrence Berkeley Laboratory. Proceedings, international workshop on pion and heavy ion radiotherapy. New York, Elsevier (in press)
18. Crowe K, Kanstein L, Lyman J, Yeater F. A large-field medical beam at the 184-inch Synchrocyclotron. Lawrence Berkeley Laboratory Report, LBL-4235, 1975
19. Castro JR, Quivey JM. Clinical experience and expectations with helium and heavy ion radiation. Int J Radiat Oncol Biol Phys 1977: 3:127-131

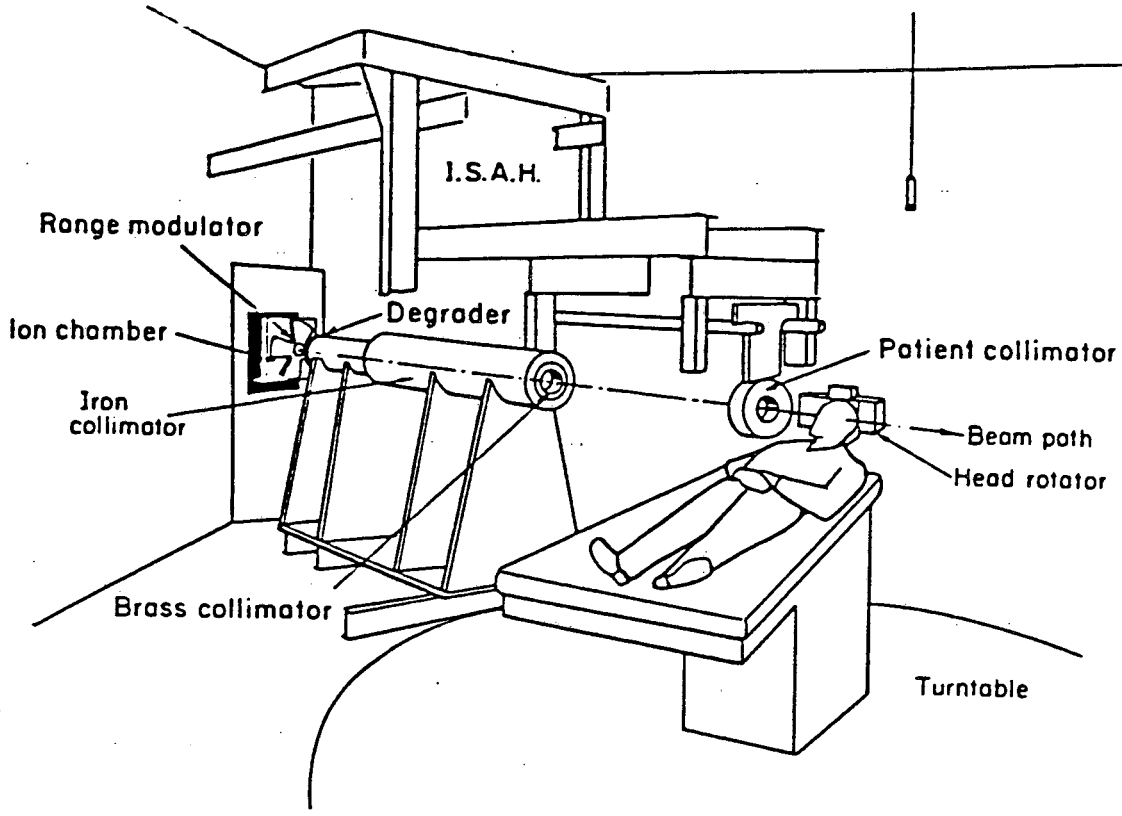
20. Char DH, Castro JR, Quivey JM, Chen GTY, Lyman JT, Stone RD, Irvine AR, Barricks M, Crawford JB, Hilton GF, Lonn LI, Schwartz A. Helium ion charged particle therapy for choroidal melanoma. Ophthalmology 1980: 87:565-570
21. Larsson B, Leksell L, Rexed B, Sourander B, Mair W, Anderson B. The high-energy proton beam as a neurosurgical tool. Nature 1958: 182:1222-1223
22. Fabrikant JI, Budinger TF, Tobias CA, Born JL. Focal lesions in the central nervous system. In: Biological and medical research with accelerated heavy ions at the Bevelac, 1977-1980. Lawrence Berkeley Laboratory Report, LBL-11220, 1980:399-406
23. Barcia-Salorio, JL, Hernandez G, Broseta J, Ballester B, Masbout G, Radiosurgical treatment of a carotid-cavernous fistula. Case report. In: Sterotaxic cerebral irradiation. (Zikla G, ed.), INSERM Symposium No. 12, Amsterdam, Elsevier/North Holland, 1979:251-256
24. Barcia-Salorio, JL, Hernandez G, Barbera J, Broseta J. Gammahizotomy in trigeminal neuralgia using conventional cobalt-therapy units. Acta Neurochirog. 1982 (in press)
25. Lyman JT, Chong CY. ISAH: A versatile treatment positioner for external radiation therapy. Cancer 1975: 34:12-16
26. Lyman JT, Howard J. Dosimetry and instrumentation for helium and heavy ions. Int J Radiat Oncol Biol Phys 1977b: 3:81-85
27. Steward GP. Stopping power and range for any nucleus in the specific energy interval 0.01 to 500 MeV/amu in any nongaseous material. Lawrence Berkeley Laboratory Report, UCRL-18127, 1968

28. Litton G, Lyman JT, Tobias CA. Penetration of high-energy heavy ions with the inclusion of coulomb, nuclear and other stochastic processes. Lawrence Berkeley Laboratory Report UCRL-17392 rev, 1968
29. Carlsson J, Rosander K. Effects of multiple scattering on proton beams in radiotherapy. Phys Med Biol 1973: 18:633-640
30. Koehler AM, Schneider RJ, Sisterson JM. Range modulators for protons and heavy ions. Nucl Instrum Methods 1975: 131:437-440
31. Lyman JT, Howard J, Windsor AA. Heavy charged particle beam monitoring with segmented ionization chambers. Med Phys 1975: 2:163
32. Koehler AM. Dosimetry of Proton beams using small silicon diodes. Radiat Res Suppl 1967: 7:53-63
33. Raju M, Tobias CA, Lyman JT. Particle irradiation methods. In: Space radiation biology and related topics. (Tobias CA, Todd PW, ed.), pp 115-140, New York, Academic Press, 1974
34. Lyman JT, Howard J. Biomedical research facilities and dosimetry. In: Biological and medical research with heavy ions at the Bevalac, 1974-1977, Lawrence Berkeley Laboratory Report LBL-5610, 1977:26-35
35. Raju MR, Gnanapurani M, Madhvanath U, Howard J, Lyman JT. Relative biological effectiveness and oxygen enhancement ratio of various depths of a 910 MeV helium ion beam. Acta Radiol 1971: 10: 353-357
36. Raju MR, Gnanapurani M, Martins B, Howard J, Lyman JT. Measurement of OER and BE of a 910 MeV helium ion beam, using cultured cells (T-1). Radiology 1972: 102:425-428
Todd P, Martins BI, Lyman JT, Kim JH, Schroy CB. Spatial distribution of
37. human cell survival and oxygen effect in a therapeutic helium ion beam. Cancer 1975: 34:1-5

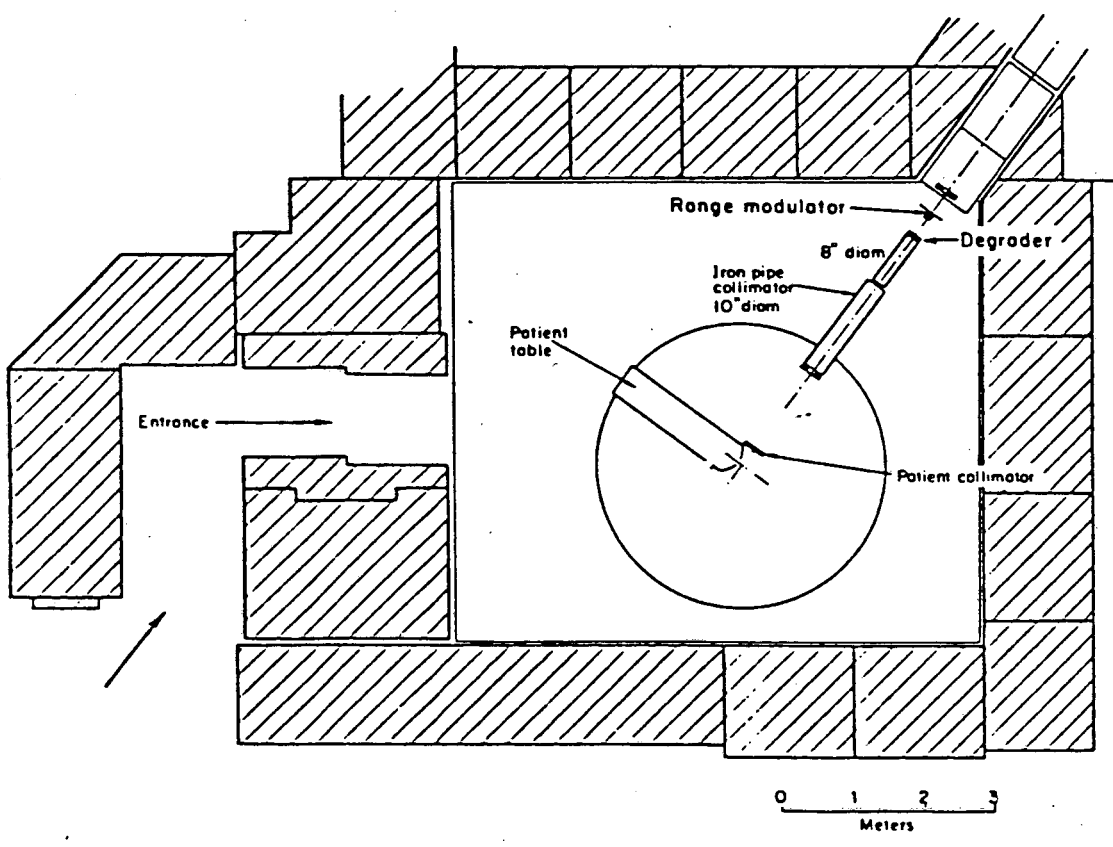
38. Fabrikant JI, Born JL, Budinger TF, Hosobuchi Y, Tobias CA, Lyman JT. Stereotaxic radiosurgery—focal lesions in the central nervous system. Lawrence Berkeley Laboratory Annual Report LBL-13501, 1982:19-24
39. Lyman JT, Howard J, Maccabee HD, Raju MR, Sperinde J, Walton R, Welch GP, Tobias CA. Experimental setup and physical measurements of heavy ion beam for initial biological irradiations at the Bevatron. In: Initial radiobiological experiments with accelerated nitrogen ions at the Bevatron, Lawrence Berkeley Laboratory Report LBL-529, 1971:1-19
40. Lyman JT, Howard J, Welch CP, Schimmerling W, Tobias CA. Experimental setup and physical measurements of the heavy-ion beams used for biological irradiations. In: Radiobiological experiments using accelerated heavy ions at the Bevatron. Lawrence Berkeley Laboratory Report LBL-2016, 1973:100-111
41. Lyman JT, Chen GTY, Kanstein L, Howard J. Heavy particle facilities at the Lawrence Berkeley Laboratory. In: Proceedings of the first international seminar on the uses of proton beams in radiation therapy, Moscow, Atomistadt, 1979: 2:122-135
42. Lyman JT. Computer modeling of heavy charged-particle beams. In: Proceedings of Vancouver Workshop July, 1981 (in press)
43. Budinger TF, Linfoot JA, Moyer BR, Lyman JT, Pelletier JL. Brain research with heavy-ion beams. In: Biological and medical Research with heavy ions at the Bevalac, 1974-1977. Lawrence Berkeley Laboratory Report LBL-5610, 1977:187-197
44. Lawrence JH, Chong CY, Born JL, Lyman JT, Okerlund MD, Garcia JF, Linfoot JA, Tobias CA, Manougian E. Heavy particles in acromegaly and Cushing's disease, In: Endocrine and nonendocrine hormone-producing tumors. Chicago, Yearbook, 1973:39-61

FIGURE LEGENDS

- Figure 1. The medical cave at the 184-inch Synchrocyclotron (upper) illustrating the helium-ion beam delivery line in relation to the stereotactically-determined isocenter of the patient positioner (ISAH: Isocentric Apparatus for Humans) (25) (lower) used for stereotactic radiosurgery of intracranial vascular disorders (XBL 824-485; XBL 824-486).
- Figure 2. Depth-dose measurements of the 230-MeV/u helium-ion beam at the 184-inch Synchrocyclotron using the tissue-equivalent ionization chamber. The maximum range to the Bragg peak is 14.7 cm in water. This includes 0.5 cm for the wall thickness of the ionization chamber and its watertight housing (XBL 828-1107).
- Figure 3. The depth-dose distribution of the 230-MeV/u helium-ion beam with the stopping region broadened by 2.5 cm (XBL 8212-7366).

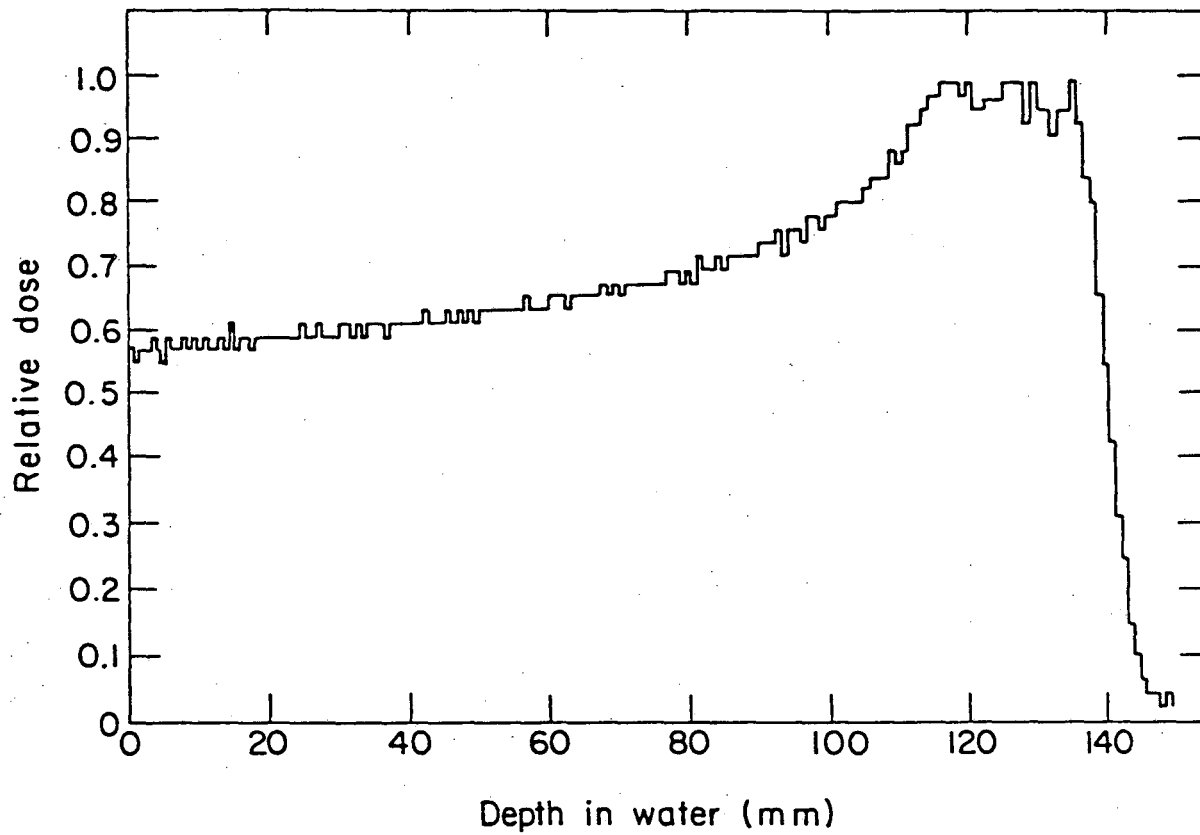


XBL 824-486



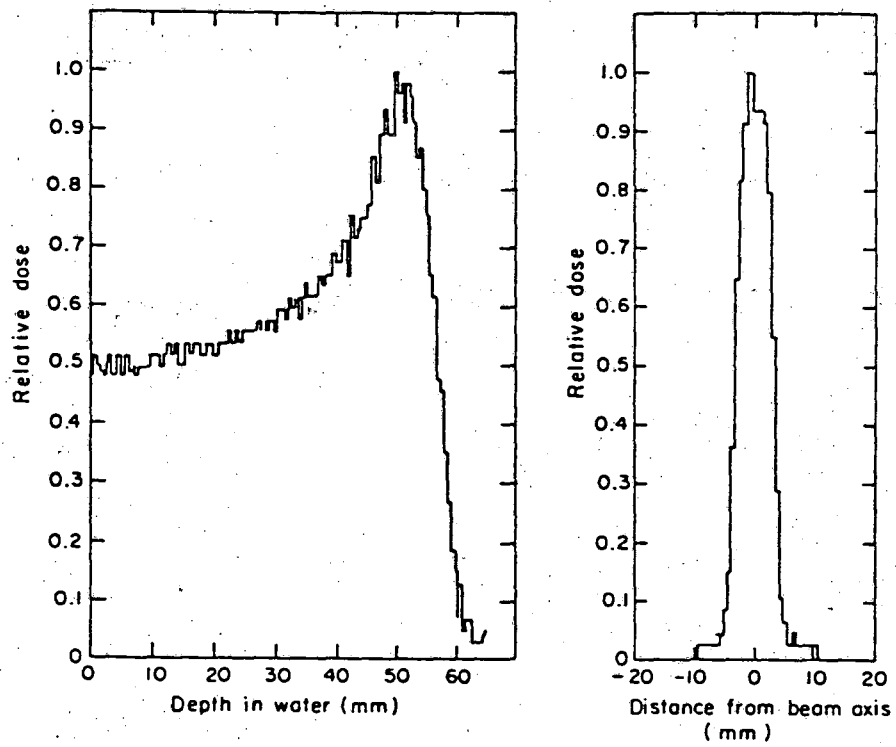
XBL 824-486

Figure 1



XBL8212 - 7366

Figure 2.



XBL 828 - 1107

Figure 3.

Table 1. Distance between 90 and 10 percent points in centimeters on lateral profile for a beam with a 2.16 cm modulated stopping regions and scan at midpeak

Residual Range, cm	Collimator-to-Phanton Distance	
	0 cm	10 cm
6	0.15	0.19
9	0.24	0.27
12	0.34	0.38

This report was done with support from the Department of Energy. Any conclusions or opinions expressed in this report represent solely those of the author(s) and not necessarily those of The Regents of the University of California, the Lawrence Berkeley Laboratory or the Department of Energy.

Reference to a company or product name does not imply approval or recommendation of the product by the University of California or the U.S. Department of Energy to the exclusion of others that may be suitable.

TECHNICAL INFORMATION DEPARTMENT
LAWRENCE BERKELEY LABORATORY
UNIVERSITY OF CALIFORNIA
BERKELEY, CALIFORNIA 94720