

UC Irvine

UC Irvine Previously Published Works

Title

Observation of $W\gamma\gamma$ triboson production in proton-proton collisions at $s = 13$ TeV with the ATLAS detector

Permalink

<https://escholarship.org/uc/item/8nm8n9g5>

Authors

Aad, G
Abbott, B
Abeling, K
et al.

Publication Date

2024

DOI

10.1016/j.physletb.2023.138400

Copyright Information

This work is made available under the terms of a Creative Commons Attribution License, available at <https://creativecommons.org/licenses/by/4.0/>

Peer reviewed



Observation of $W\gamma\gamma$ triboson production in proton-proton collisions at $\sqrt{s} = 13$ TeV with the ATLAS detector

The ATLAS Collaboration

This letter reports the observation of $W(\ell\nu)\gamma\gamma$ production in proton-proton collisions. This measurement uses the full Run 2 sample of events recorded at a center-of-mass energy of $\sqrt{s} = 13$ TeV by the ATLAS detector at the LHC, corresponding to an integrated luminosity of 140 fb^{-1} . Events with a leptonically-decaying W boson and at least two photons are considered. The background-only hypothesis is rejected with an observed and expected significance of 5.6 standard deviations. The inclusive fiducial production cross section of $W(e\nu)\gamma\gamma$ and $W(\mu\nu)\gamma\gamma$ events is measured to be $\sigma_{\text{fid}} = 13.8 \pm 1.1(\text{stat})_{-2.0}^{+2.1}(\text{syst}) \pm 0.1(\text{lumi}) \text{ fb}$, in agreement with the Standard Model prediction.

arXiv:2308.03041v2 [hep-ex] 17 Jan 2024

1 Introduction

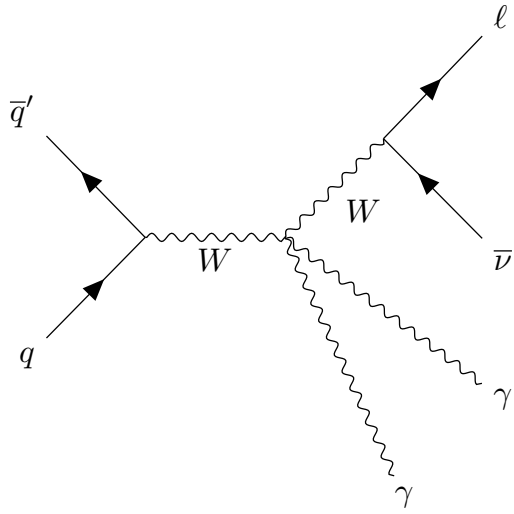
In the Standard Model (SM) of particle physics, interactions amongst electroweak gauge bosons (γ , W , Z) are entirely determined by the non-Abelian $SU(2) \times U(1)$ structure of the electroweak sector. In particular, in proton-proton collisions, the production of a W boson in association with two photons is sensitive to triple and quartic gauge boson couplings that could be modified by the presence of new physics phenomena [1–3]. The study of this process therefore provides sensitivity to new physics that is complementary to direct searches as it can constrain new physics at energy scales that are beyond the reach of the LHC. In addition, due to the small production cross section of the $W\gamma\gamma$ final state in proton-proton collisions, it is only now becoming accessible with the data collected during Run 2 of the LHC. Therefore, it remains one of the least studied processes in the electroweak sector of the SM. The production of a W boson in association with two photons is also an important background in a number of other measurements, such as the production of the SM Higgs boson in association with a W boson, followed by a $H \rightarrow \gamma\gamma$ decay [4].

The $W\gamma\gamma$ triboson production is studied here through final states compatible with a leptonic decay of the W boson. A representative selection of leading-order (LO) Feynman diagrams, and a loop-induced SM Higgs boson Feynman diagram, of $pp \rightarrow \ell\nu\gamma\gamma$ production are shown in Figure 1. These Feynman diagrams illustrate four of the many possible production modes, and include processes where the photons are produced via: (a) a $WW\gamma\gamma$ quartic gauge coupling; (b) two $WW\gamma$ triple gauge couplings; (c) initial (ISR) and final (FSR) state radiation; and (d) as the decay products of a Higgs boson. Production of $W\gamma\gamma$ via a SM Higgs boson is treated as background in this analysis to isolate the signal processes to those with only electroweak gauge boson interactions.

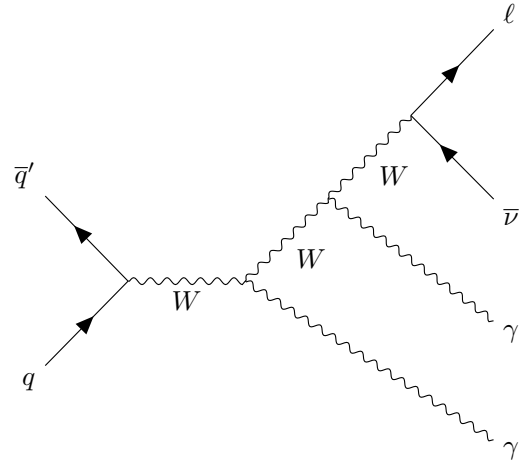
Although there are contributions from processes with one or more FSR photons (see diagram (c)), the process will nevertheless be referred to as $W\gamma\gamma$ throughout this letter for simplicity.

The largest sources of background in this analysis consist of events in which at least one of the reconstructed objects in the final state is misidentified. Data-driven techniques, described in Section 5, are used to estimate these sources of reducible background, which include photons from misidentified jets or neutral hadron decays, electrons misidentified as photons, leptons from misidentified jets or heavy-flavored hadron decays, and events in which one or both photons do not originate from the primary vertex. In addition, a small fraction of background events originates from multiboson ($WH(\gamma\gamma)$, $WW\gamma$, $Z\gamma\gamma$) and top-quark production ($t\bar{t}\gamma$, $tW\gamma$, $tq\gamma$). Monte Carlo (MC) simulated samples, described in Section 3, are used to estimate the yield of these sources of irreducible background. To maximize the analysis sensitivity, the uncertainty on background yield from $t\bar{t}\gamma$ production is constrained from data in a control region (TopCR) that does not overlap with the signal region of interest.

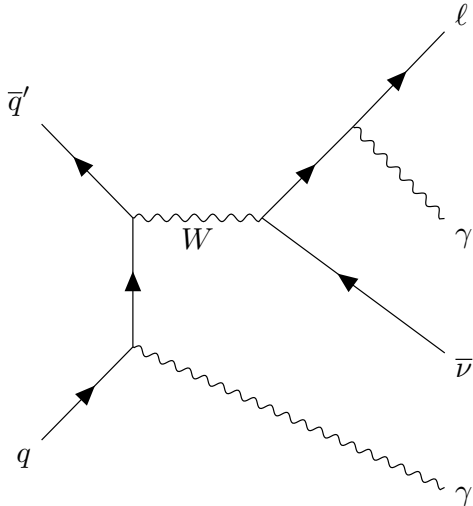
Previous measurements of the $W\gamma\gamma$ process were performed at the LHC using proton-proton collisions at a center-of-mass energy of $\sqrt{s} = 8$ TeV with the ATLAS [5] and CMS [6] detectors, and at $\sqrt{s} = 13$ TeV with the CMS [7] detector, resulting in a maximum observed statistical significance of 3.1σ . This letter presents the observation of the $W\gamma\gamma$ process and a measurement of its fiducial cross section in the $W \rightarrow e\nu$ and $W \rightarrow \mu\nu$ decay channels. In order to obtain a precise background estimate, the electron and muon channels are combined for both the observation and fiducial cross section measurement. The $pp \rightarrow W\gamma\gamma$ signal strength μ , defined as the ratio of the observed signal yield to the expected yield, is measured to assess the compatibility between data and SM prediction. Results are obtained based on the analysis of $\mathcal{L} = 140 \text{ fb}^{-1}$ of proton-proton collision data collected with the ATLAS detector at $\sqrt{s} = 13$ TeV, allowing for improvement over the previous ATLAS result due to both the increase in integrated luminosity



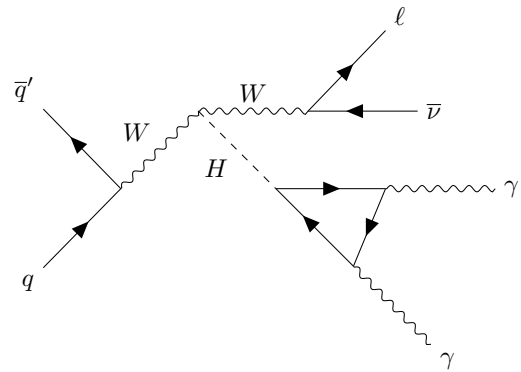
(a) $W\gamma\gamma$ production via a quartic gauge boson coupling.



(b) $W\gamma\gamma$ production via two triple gauge boson couplings.



(c) $W\gamma\gamma$ production where the photons are produced via ISR and FSR.



(d) $W\gamma\gamma$ production where the photons are produced via the decay of a SM Higgs boson.

Figure 1: Representative Feynman diagrams for the production of $W\gamma\gamma$.

and the increase in production cross section, in addition to improvements to the data-driven background estimates.

2 ATLAS Detector

The ATLAS experiment [8] at the LHC is a multipurpose particle detector with a cylindrical geometry, forward–backward symmetric, and a near 4π coverage in solid angle.¹ It consists of an inner tracking detector (ID) surrounded by a thin superconducting solenoid providing a 2 T axial magnetic field, electromagnetic and hadron calorimeters, and a muon spectrometer (MS). The inner tracking detector covers the pseudorapidity range $|\eta| < 2.5$. It consists of silicon pixel, silicon microstrip, and transition radiation tracking detectors. Lead/liquid-argon (LAr) sampling calorimeters provide electromagnetic (EM) energy measurements with high granularity. A steel/scintillator-tile hadron calorimeter covers the central pseudorapidity range ($|\eta| < 1.7$). The endcap and forward regions are instrumented with LAr calorimeters for both the EM and hadronic energy measurements up to $|\eta| = 4.9$. The muon spectrometer surrounds the calorimeters and is based on three large superconducting air-core toroidal magnets with eight coils each. The magnetic field line integral of the toroidal magnets ranges between 2.0 and 6.0 T m across most of the detector. The muon spectrometer includes a system of precision tracking chambers and fast detectors for triggering. A two-level trigger system is used to select events. The first-level trigger is implemented in hardware and uses a subset of the detector information to accept events at a rate below 100 kHz. This is followed by a software-based trigger that reduces the accepted event rate to 1 kHz on average depending on the data-taking conditions. An extensive software suite [9] is used in the reconstruction and analysis of real and simulated data, in detector operations, and in the trigger and data acquisition systems of the experiment.

3 Data and Simulation

The measurement presented in this letter is based on proton-proton collision data at a center-of-mass energy of 13 TeV recorded by the ATLAS detector during Run 2 of the LHC (2015-2018). During this data-taking period, the number of interactions per proton bunch crossing (pileup) averaged between 13 and 38 interactions, depending on the year [10]. After applying ATLAS data quality requirements [11], the dataset corresponds to an integrated luminosity of $\mathcal{L} = 140 \text{ fb}^{-1}$. The uncertainty in the combined integrated luminosity for 2015-2018 is 0.83% [12], obtained using the LUCID-2 detector [13] for the primary luminosity measurements, complemented by measurements using the ID and calorimeters.

Simulated samples are used to model the expected signal and irreducible background yields, while reducible backgrounds from misidentified objects are estimated using data-driven techniques described in Section 5. Some of the irreducible backgrounds, as listed in Section 1, contribute to the analysis only when one lepton is not reconstructed or additional photons are present due to FSR.

Signal $e\nu\gamma\gamma$, $\mu\nu\gamma\gamma$, and $\tau\nu\gamma\gamma$ processes are generated with SHERPA 2.2.10 [14] generator using next-to-leading-order (NLO) matrix elements (ME) with zero partons, and leading-order (LO) matrix elements for up to two partons calculated with the Comix [15] and OpenLoop [16–18] libraries. They were matched with the SHERPA parton shower [19] using the MEPS@NLO prescription [20–23] using the set of tuned parameters developed by the SHERPA authors. The NNPDF3.0_{NNLO} next-to-next-to-leading order (NNLO)

¹ ATLAS uses a right-handed coordinate system with its origin at the nominal interaction point (IP) in the center of the detector and the z -axis along the beam pipe. The x -axis points from the IP to the center of the LHC ring, and the y -axis points upwards. Cylindrical coordinates (r, ϕ) are used in the transverse plane, ϕ being the azimuthal angle around the z -axis. The pseudorapidity is defined in terms of the polar angle θ as $\eta = -\ln \tan(\theta/2)$. Angular distance is measured in units of $\Delta R \equiv \sqrt{(\Delta\eta)^2 + (\Delta\phi)^2}$.

parton distribution function (PDF) set from the NNPDF Collaboration [24] was used. Approximate NLO electroweak corrections are included in these samples [25] and result in a negligible effect in the $W\gamma\gamma$ phase space used in this measurement.

The $WH(\gamma\gamma)$ background is estimated from events generated with the POWHEG-BOX v2 [26] generator interfaced with PYTHIA 8.212 [27, 28] using the AZNLO tune [29] for parton showering modeling and NLO PDFs from NNPDF3.0. Background contributions from $WW\gamma$ (SHERPA 2.2.11), $Z\gamma\gamma$ (SHERPA 2.2.10), and $Z\gamma$ (SHERPA 2.2.8) processes are estimated from samples generated to NLO accuracy in perturbative QCD with up to 1 additional parton emission, and merged with samples to LO accuracy in perturbative QCD with 2 to 3 parton emissions; like the signal samples, these are generated with the NNLO PDF set from NNPDF3.0_{NNLO}. Double counting between $Z\gamma$ and $Z\gamma\gamma$ is removed at the event generation stage. Contributions from $t\bar{t}\gamma$ events, $tW\gamma$ events where the photon is produced in the tW decay chain, and $tq\gamma$ events are generated with MADGRAPH5_AMC@NLO 2.3.3 [30]. The NNPDF2.3_{LO} [31] PDF sets and parton shower modeling from PYTHIA 8.212 with the A14 tune [32] are used in the generation of these event samples. Contributions from $tW\gamma$ events where the photon is produced at matrix-element level are generated with MADGRAPH5_AMC@NLO 2.6.7, NNPDF2.3_{LO} PDF sets, and parton shower modeling from PYTHIA 8.244 with the A14 tune. In all simulated samples where the production of one photon is generated in the matrix element, a second prompt photon can be produced as FSR in the parton shower.

Both signal and background MC events are processed through the full ATLAS detector simulation [33] based on GEANT4 [34]. The effects of multiple interactions in the same and neighboring bunch crossings are modeled by overlaying the simulated hard-scattering event with inelastic proton–proton events generated with PYTHIA 8.186 [27] using the NNPDF2.3_{LO} set of PDFs [31] and the A3 set of tuned parameters [35]. Simulated events are weighted such that the pileup distribution reproduces the pileup distribution of the dataset used in this measurement.

4 Event Selection

The $W\gamma\gamma$ process is investigated using the leptonic decays of the W boson. While events with a leptonic τ decay to an electron or a muon are considered as signal events, those with hadronic τ decays are considered as a background. Candidate $W(\ell\nu)\gamma\gamma$ events therefore contain two isolated photons, an isolated electron or muon, and missing transverse momentum, with magnitude referred to as missing transverse energy ($E_{\text{T}}^{\text{miss}}$), from the undetected neutrino(s) originating from the leptonic W boson decays. The following paragraphs describe the selection requirements used to define the signal region (SR) of the measurement.

Events used for this measurement are selected using a suite of triggers that require the presence of at least two photons with $p_{\text{T}} > 10$ GeV and at least one electron or muon with $p_{\text{T}} > 20$ GeV [36, 37]. For the 2017-2018 data-taking period, the p_{T} thresholds used to select events with at least two photons and at least one electron were increased to 12 GeV (photons) and 24 GeV (electron). In addition to these triggers, single and di-lepton triggers with p_{T} thresholds between 14 and 26 GeV are used to select events for the data-driven background estimates. The overall efficiencies for these triggers to select simulated signal events in the signal region are 95% in the electron channel and 82% in the muon channel. In all cases, trigger objects must be matched to reconstructed objects selected for analysis.

Events are required to have a primary vertex associated with at least two charged-particle tracks with $p_{\text{T}} > 0.5$ GeV in the proton-proton interaction region. If multiple vertices satisfy this criteria, the vertex with the highest p_{T}^2 sum is selected.

Photon candidates are reconstructed from clusters of energy deposits in the EM calorimeter, calibrated at the EM scale, and tracking information from the ID, which is used to classify candidates as either converted or unconverted photons. Candidate photons are required to have a transverse momentum $p_T > 20$ GeV and a pseudorapidity of $|\eta| < 2.37$, excluding the transition region between the electromagnetic barrel and endcap regions of the calorimeter, $1.37 < |\eta| < 1.52$. Photons must also satisfy the cut-based *Tight* identification requirement defined using EM shower shape variables [38]. To reject non-prompt photons originating from jets, photons must satisfy an isolation requirement based on topological clusters [39] of energy deposits in the EM calorimeter. The isolation energy of a photon, $E_T^{\text{iso},\gamma}$, is determined by first calculating the scalar sum of the transverse energy of topological clusters within $\Delta R = 0.4$ of a photon (E_T^{cone}), corrected for the energy of the photon itself, and then subtracting off a value that depends on the transverse photon energy (E_T^γ), such that $E_T^{\text{iso},\gamma} = E_T^{\text{cone}} - 0.022 * E_T^\gamma$. Photons are required to pass the *Calorimeter-Only Tight* isolation working point [38], which requires $E_T^{\text{iso},\gamma} < 2.45$ GeV. In addition, the two photons must be separated from each other by requiring $\Delta R > 0.4$.

Electron candidates are reconstructed from energy deposits in the EM calorimeter that can be matched to ID tracks. These tracks must be consistent with originating from the primary vertex by requiring that $|d_0/\sigma_{d_0}| < 5$ and $|z_0 \cdot \sin(\theta)| < 0.5$ mm, where d_0 is the transverse impact parameter relative to the beam line and σ_{d_0} is its uncertainty, z_0 is the longitudinal impact parameter, and θ is the polar angle of the track with respect to the beamline. Electron candidates are required to have $p_T > 25$ GeV and $|\eta| < 2.47$, excluding the region $1.37 < |\eta| < 1.52$. Additionally, they must satisfy the likelihood-based *Medium* identification requirement defined using inputs from the calorimetry and tracking systems [40].

Muon candidates are reconstructed by matching tracks in the ID to tracks in the MS. These tracks must be consistent with originating from primary vertices by requiring $|d_0/\sigma_{d_0}| < 3$ and $|z_0 \cdot \sin(\theta)| < 0.5$ mm. Muon candidates are further required to have $p_T > 25$ GeV and $|\eta| < 2.4$, and must satisfy the *Medium* identification requirement [41] based on the quality and compatibility of their tracks in the ID and MS.

To further distinguish signal leptons from background, isolation variables for calorimeter energy deposits (E_T^{iso}) and tracks (p_T^{iso}) are constructed. The calorimeter isolation E_T^{iso} is defined as the scalar sum of the transverse energy of topological clusters within $\Delta R = 0.2$ of the lepton, which is corrected for both the energy of the lepton itself and the average pileup energy density measured in this region of the detector. For electrons (muons), the track-based isolation $p_{T,e}^{\text{iso}}$ ($p_{T,\mu}^{\text{iso}}$) is defined as the scalar sum of tracks with $p_T > 1$ GeV within a p_T -dependent cone up to $\Delta R = 0.2$ ($\Delta R = 0.3$) of the lepton, with the lepton candidate removed. Electrons must satisfy $E_T^{\text{iso}}/p_T < 0.06$ and $p_{T,e}^{\text{iso}}/p_T < 0.06$ [40], and muons must satisfy $E_T^{\text{iso}}/p_T < 0.15$ and $p_{T,\mu}^{\text{iso}}/p_T < 0.04$ [42].

Hadronic jets are used in the SR definition to veto events with jets containing b -hadrons. Jets are reconstructed using the anti- k_t algorithm [43] with a distance parameter $\Delta R = 0.4$. The inputs to the jet algorithm are particle-flow objects [44], which make use of both the calorimeter and the ID information to precisely determine the momenta of the input particles. Reconstructed jets are required to have $p_T > 20$ GeV and $|\eta| < 4.5$. Jets satisfying $20 < p_T < 60$ GeV and $|\eta| < 2.4$ must pass the *Tight* requirement on the *jet vertex tagger* variable [45] in order to suppress jets not originating from the primary vertex. Kinematic properties of b -flavored hadrons are used as input to a multivariate jet classification algorithm [46, 47]. This multivariate classification has a 77% efficiency and is used to identify jets with $|\eta| < 2.5$ containing b -flavored hadrons. Events with jets containing b -flavored hadrons are rejected.

It is possible for tracks and energy deposits to be associated with more than one type of reconstructed object. To remove the overlap between different reconstructed objects in an event, the following selection criteria are applied in the order in which they are described: electrons are removed if they share an ID track

with a muon; photons are removed if they are within $\Delta R = 0.4$ of an electron or a muon; jets are removed if they are within $\Delta R = 0.2$ of an electron; electrons are removed if they are within $\Delta R = 0.4$ of a jet; jets are removed if they are within $\Delta R = 0.2$ of a muon; and finally photons and muons are removed if they are within $\Delta R = 0.4$ of the remaining jets in the event.

The magnitude and direction of the missing transverse momentum are reconstructed using calibrated photons, electrons, muons, jets, and tracks from charged particles not associated to any object found in the event [48]. An ambiguity resolution procedure is performed as part of the calculation to ensure that energy deposits reconstructed as different objects are not double-counted. Events in the SR are required to satisfy $E_T^{\text{miss}} > 25$ GeV. Additionally, the transverse mass of the W boson $m_T^W = \sqrt{2p_T^\ell E_T^{\text{miss}}(1 - \cos \Delta\phi)}$ is required to be greater than 40 GeV, where $\Delta\phi$ is defined as the difference in azimuthal angles between the lepton momentum and missing transverse momentum.

A set of $Z\gamma$ veto requirements are implemented to greatly reduce the number of $Z\gamma$ events passing the signal selection, which can occur when an electron is misidentified as a photon. All SR events must have $p_{T,\ell\gamma\gamma} > 30$ GeV and $m_{\ell\gamma\gamma}$, $m_{\ell\gamma_1}$, and $m_{\ell\gamma_2} \notin [82, 100]$ GeV, where γ_1 and γ_2 are the leading and sub-leading photons ordered by p_T . The $Z\gamma$ veto is applied to both the electron and muon channels to ensure a consistent event selection.

To reduce contributions from background events with a second lepton originating from processes with two W bosons or a Z boson, two additional selection criteria are applied. Events are rejected if they contain a second lepton, selected without the $|d_0/\sigma_{d_0}|$ or isolation requirements, of a different lepton flavor to the primary lepton that passes all SR selection criteria. A similar veto is enforced for events containing same-flavor leptons with the secondary lepton only required to satisfy $p_T > 6$ GeV and pass *Loose (Medium)* identification for electrons [40] (muons [41]), where the lepton identification requirement is loosened to remove a significant fraction of the prompt background from the $Z\gamma\gamma$ process.

Differences in the reconstruction, trigger, and selection efficiencies for leptons and photons between data and simulation are corrected for with scale factors [36, 37, 42, 49]. In addition to the SR defined in this section, other data samples are used to estimate backgrounds coming from misidentified objects using data-driven techniques, as described in Section 5.

5 Background Estimation

The largest background in the $W\gamma\gamma$ SR consists of events in which one or both signal photons originate from a misidentified jet or neutral hadron decay. This hadronic fake photon background, denoted as $j \rightarrow \gamma$, is estimated using a data-driven method by performing a two-dimensional template fit to the isolation distributions of the leading and subleading photons in a procedure similar to those discussed in Refs. [5] and [50]. The three isolation distribution templates for the cases in which either the leading, subleading, or both photons are $j \rightarrow \gamma$ fakes are obtained from data in regions formed by loosening and inverting some of the leading, subleading, or both photon isolation requirements, respectively, in order to enhance the contributions from misidentified jets. This is done by selecting events in which at least one photon candidate passes the *Loose* photon identification requirement but fails one or more of the four EM shower-shape requirements used in the *Tight* (T) photon identification [38]; these are denoted as L' photons [49]. For the estimation of this source of background, events are still required to satisfy all other SR criteria except the photon isolation requirement. The electron and muon channels are combined to ensure a sufficient number of events pass selection requirements for the data samples. These events are

categorized into four non-overlapping data samples, TT, TL', L'T, and L'L', depending whether the T or L' photon identification criteria is satisfied by the leading and subleading photons, respectively. Templates for non-prompt leading and subleading photons are built using one-dimensional Bukin functions [51], and their shape parameters are determined from fits to photon isolation energy distributions of data events in the L'T and TL' regions, respectively. The templates for leading (subleading) prompt photons are formed from double-sided crystal ball functions, whose shape parameters are fit to simulated tight leading (subleading) prompt photons in simulated $W\gamma\gamma$ events; these correspond to leading photons from events in the TT and TL' regions and subleading photons from events in the TT and L'T regions. Two-dimensional templates for prompt $\gamma\gamma$, $\gamma(j \rightarrow \gamma)$, and $(j \rightarrow \gamma)\gamma$ events are formed by taking the product of the two functions used to individually describe the isolation energy of the leading and subleading photons. Due to non-negligible correlations between the two photon candidates in the L'L' data sample, the two-dimensional template for $(j \rightarrow \gamma)(j \rightarrow \gamma)$ events is instead formed by fitting a superposition of Gaussian kernels [52]. Finally, coefficients corresponding to numbers of events for each of the four, two-dimensional templates are fit using an extended maximum likelihood fit to data in the TT region that has simulated events from all other background processes with two prompt photons and one prompt lepton subtracted. The coefficients for the TL', L'T, and L'L' regions are further corrected for signal leakage using MC simulation. In order to account for the photon isolation energy requirements that are part of the SR definition, the contribution from $j \rightarrow \gamma$ fake events in the SR is obtained by integrating the 2D photon isolation energy distributions fitted to data in the TT region up to the cut value that defines the SR, $E_T^{\text{iso},\gamma} = 2.45$ GeV. The total expected number of $j \rightarrow \gamma$ background events is determined by computing the sum of the integrated coefficients of the $\gamma(j \rightarrow \gamma)$, $(j \rightarrow \gamma)\gamma$, and $(j \rightarrow \gamma)(j \rightarrow \gamma)$ templates. A systematic uncertainty due to the choice of photon L' identification is estimated by forming $j \rightarrow \gamma$ templates with alternative identification working points and parameterizing the shape differences as uncertainties on the nominal Bukin template parameters. Statistical and systematic uncertainties on the templates are propagated through to the background estimates using a multivariate Gaussian constraint on the two-dimensional fit, resulting in an overall 11% systematic uncertainty on this background.

Events in which one or both photons are misidentified electrons constitute the $e \rightarrow \gamma$ fake background. These misidentifications are caused mainly by tracking inefficiencies and the mismatching of tracks in the ID to energy clusters in the EM calorimeter. The background is estimated using a data-driven “fake-factor” method similar to the one described in Ref. [38]. The $e \rightarrow \gamma$ fake rate is calculated with a tag-and-probe approach using both $Z \rightarrow ee$ and $Z \rightarrow e\gamma_e$ events, where γ_e symbolizes a misreconstructed electron identified as a photon. Probe electrons are selected with $p_T > 20$ GeV, the likelihood-based *Tight* identification [40], and the same isolation requirement as SR electrons, such that their kinematics selection is close to the one for the photons used in the SR. The data sample used to calculate the $e \rightarrow \gamma$ fake rate consists of events selected with single electron triggers that have a reconstructed $ee/e\gamma_e$ invariant mass within 20 GeV of the Z boson mass, 91.2 GeV. Non-resonant backgrounds in this data sample are modeled using an exponential function, and the Z boson resonance is modeled by a Gaussian with double-sided exponential tails [53]. The number of ee (N_{ee}) and $e\gamma_e$ ($N_{e\gamma_e}$) events are extracted using a combined signal and background fit to the invariant mass distributions in bins of p_T and η , and the fake factor is computed as $f_{e \rightarrow \gamma_e} = N_{e\gamma_e}/N_{ee}$. To estimate the $e \rightarrow \gamma$ background in the SR, this fake factor is applied to a sample of $W(\ell\nu)e\gamma$ events obtained by selecting data events with di-lepton triggers and substituting one SR photon requirement for that of a probe electron. Systematic uncertainties relating to the fitting and integration ranges around the Z-boson mass, the photon energy calibration, and the exponential background are propagated to the $e \rightarrow \gamma$ background estimate. Statistical and systematic uncertainties are 2% and 7%, respectively, on the final SR $e \rightarrow \gamma$ background estimate. A validation region dominated by events with $e \rightarrow \gamma$ fakes is obtained by inverting the Z γ -veto in the SR and in the $W(\ell\nu)e\gamma$ region. The background

estimation method is shown to reproduce data in both of these validation regions.

The hadronic fake lepton background, $j \rightarrow \ell$, is comprised of events in which the signal lepton is either a misidentified jet or from the decay of a heavy-flavored hadron (non-prompt). This background is also estimated using a data-driven fake-factor [54] using an event sample that is enriched in non-prompt leptons. This data sample is obtained by selecting $Z(\ell\ell) + \ell_j$ events with single lepton triggers where the third lepton, ℓ_j , is a misreconstructed jet. Two leptons must have an invariant mass within 10% of the Z -boson mass and be of the same flavor but opposite charge, while the third (probe) lepton must be of a different lepton flavor in order to avoid ambiguity. Additional requirements of $E_T^{\text{miss}} < 40$ GeV and $m_T^W < 40$ GeV are imposed to reduce prompt leptons from WZ events, and remaining WZ events are subtracted from the data, relying on simulated predictions. The fake factor is defined as the ratio of the number of probe leptons satisfying the SR lepton criteria (N_{SR}), to the number of probe leptons satisfying a *Loose* set of criteria (N_l). This *Loose* criteria selects leptons more likely to be non-prompt by inverting the lepton $|d_0/\sigma_{d_0}|$ and isolation requirements. The fake factor is estimated in bins of probe lepton p_T and $|\eta|$ for electrons, and only in bins of p_T for muons due to statistical limitations. The $j \rightarrow \ell$ fake background in the SR is estimated by applying the fake factor to a region kinematically adjacent to the SR. This region is defined with the same selection requirements as for the SR with the exception of the lepton selection, which uses the *Loose* selection criteria. Statistical and systematic uncertainties account for a 26% (27%) and 18% (50%) uncertainty in the electron (muon) channel, respectively. Systematic uncertainties relating to a bias in the control region due to the E_T^{miss} selection are computed by varying the requirement by ± 10 GeV [54], and theoretical uncertainties on the subtracted WZ events are propagated through to the fake factors. The method is validated in a region enriched in fake leptons obtained by inverting the E_T^{miss} and m_T^W requirements used in the SR and comparing the estimate to data.

The pileup background consists of events in which one or both photons do not originate from the primary vertex, mainly due to a limited photon pointing resolution. The fraction of photons originating from a pileup vertex is calculated in a subset of SR data where at least one photon is converted. Since the fraction of photons that convert is independent of their production vertex, the relative fractions of signal and pileup photons in the converted sample is representative of the fractional number of signal and pileup photons in the full SR. Converted photons that are required to have at least one ID track with silicon hits [49] and a conversion radius, defined as the radial distance of the conversion vertex, of less than 400 mm are used for this estimate because the presence of an ID track allows for the calculation of a longitudinal impact parameter. The difference between the longitudinal impact parameters of the converted photon and the primary vertex, Δz , is Gaussian-distributed and expected to be close to zero for photons from the hard scatter, while pileup photons are expected to have a much broader distribution [55]. The $|\Delta z| > 55$ mm tails of the distribution are used to estimate the fraction of pileup photons in the SR. The statistical uncertainty on the pileup background is 56%, due to the limited number of events in the estimation region.

Event yields in the SR from irreducible sources of background such as $WH(\gamma\gamma)$, $WW\gamma$, and $Z\gamma\gamma$ as well as $t\bar{t}\gamma$, $tW\gamma$, and $tq\gamma$ are estimated using MC simulated samples. To further reduce uncertainties from the estimated $t\bar{t}\gamma$ event yield in the SR, a control region enhanced in $t\bar{t}\gamma$ events (TopCR) is defined by inverting the b -jet veto in the SR selection requirements in order to constrain a $t\bar{t}\gamma$ normalization factor that is left floating in the likelihood fit described in Section 7. The fitted $t\bar{t}\gamma$ normalization factor is cross-checked in a validation region (TopVR) formed by inverting the b -jet veto, the E_T^{miss} , and m_T^W in the SR selection requirements in order to select events with at least one b -jet, $E_T^{\text{miss}} < 25$ GeV, and $m_T^W < 40$ GeV. The $j \rightarrow \gamma$ and $e \rightarrow \gamma$ data-driven backgrounds are also computed in the TopCR and TopVR following the same methods outlined for the SR. Due to the reduced number of events in the L' regions, the photon identification systematic uncertainty is estimated using a dedicated procedure in the

SR, and is $+18\%/ -13\%$. The $j \rightarrow \ell$ and pileup backgrounds are negligible in both of these TopCR and TopVR regions.

6 Uncertainties

The background uncertainties described in Section 5 are the dominant uncertainties of this measurement described in Section 7. In addition, several other important sources of uncertainty are assessed. These include instrumental uncertainties such as the energy scale and resolution of electrons and photons [49]; photon and lepton trigger, reconstruction, identification, and isolation efficiencies [36, 37, 41, 49]; jet energy scale and resolution [56]; jet vertex tagging [57, 58]; b -jet identification [46]; missing transverse energy reconstruction [59]; and the luminosity of the dataset [12]. These are evaluated for both backgrounds and signal processes.

Additionally, theoretical uncertainties associated with the simulation of the signal and background processes are evaluated and propagated through to the measured fiducial cross section. Theoretical uncertainties on the background processes, but not signal processes, are propagated through to the measured signal strength. These include parton distribution function uncertainties [60]; the uncertainty on the strong coupling constant, α_s [61]; and missing higher-order terms in the cross section calculations [62]. The last is evaluated by varying the renormalization and factorization scales independently by factors of 0.5 and 2, avoiding variations where the two scales differ by more than a factor of two.

Statistical uncertainties on the data, and signal and background MC samples are also taken into account. All of the previously described uncertainties are accounted for in the detector-to-fiducial region correction factor used for the unfolding procedure detailed in Section 7.

7 Results

The $pp \rightarrow W\gamma\gamma$ signal strength μ is extracted from the data using a binned maximum likelihood fit [63, 64] including the TopCR and the signal region. All uncertainties considered in the analysis are treated as nuisance parameters in the fit. Systematic uncertainties are constrained by Gaussian functions, and correlations between sources of systematic uncertainties are taken into account. Statistical uncertainties are also treated as nuisance parameters but are constrained by assigning a Poisson function to each analysis bin. These constraints penalize the likelihood fit if the estimated nuisance parameters pull from their measured values.

The TopCR is used to determine a $t\bar{t}\gamma$ background² normalization factor $\alpha_{t\bar{t}\gamma}$. The normalization factor is allowed to float via a likelihood scan done simultaneously with the signal-strength extraction in the SR. The fit value of $\alpha_{t\bar{t}\gamma}$ is then applied in the TopVR and the resulting total estimated yield is compared to data. Figure 2 illustrates the yields for the three regions TopCR, TopVR, and SR. The estimated yield in the TopVR region shows agreement with data.

Table 1 shows the post-fit yields of the signal and estimated backgrounds in the SR and TopCR, along with their sum and the number of selected data events. The signal strength and $t\bar{t}\gamma$ normalization are determined to be $\mu = 1.01_{-0.16}^{+0.17}$ and $\alpha_{t\bar{t}\gamma} = 0.83_{-0.25}^{+0.21}$ and have been applied to the post-fit results. Assuming lepton

² Background from top processes $tW\gamma$ and $tq\gamma$ are small and are thus not included in the determination and application of $\alpha_{t\bar{t}\gamma}$.

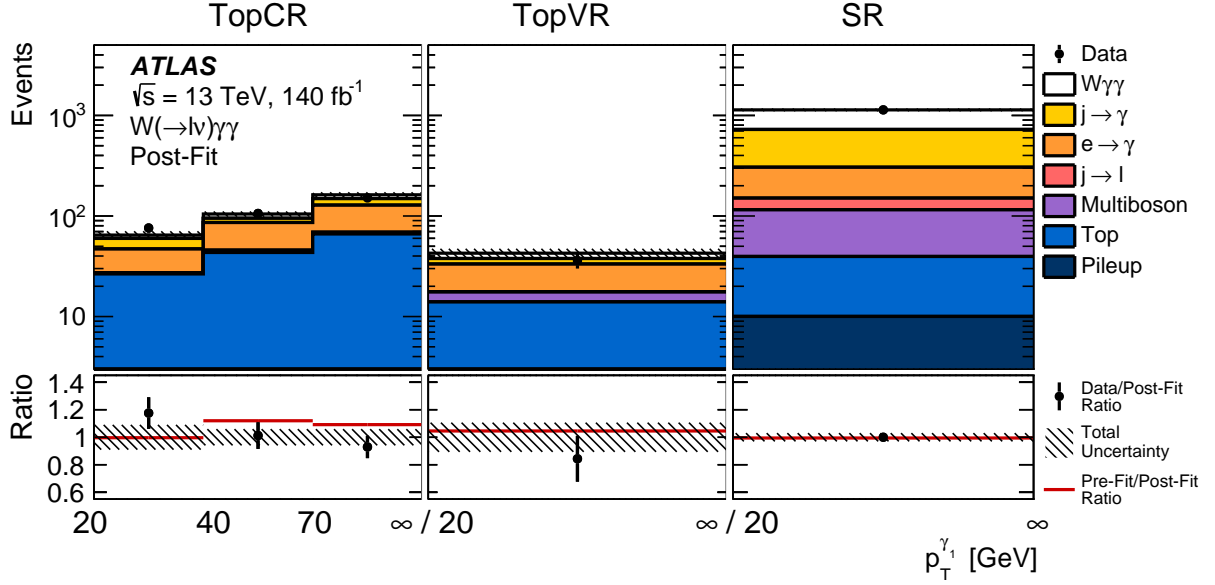


Figure 2: Data, and pre- and post-fit yields for TopCR as a function of leading photon p_T , and for TopVR and SR each as a single bin. The error bars on data indicate its statistical uncertainty. The bottom panel shows the ratio of the data to the post-fit yield (black points) and the ratio of the pre-fit yield to the post-fit yield (solid line) for each of the regions. The uncertainty band includes both the statistical and systematic uncertainties obtained from the fit. The $t\bar{t}\gamma$ background is scaled by the normalization factor $a_{t\bar{t}\gamma}$, and the $W(\ell\nu)\gamma\gamma$ prediction, by the signal strength μ . Background contributions from pileup in TopCR and TopVR are neglected.

Table 1: Estimated signal and background yields in the SR and TopCR, as well as their sums, are shown post-fit together with the observed number of events in data. The uncertainties quoted in the table correspond to total uncertainties. Events from the “Multiboson” and “Top” backgrounds are estimated from MC simulation and contain only prompt leptons and photons. Yields denoted with “–” correspond to backgrounds that are negligible.

Source	SR	TopCR
$W\gamma\gamma$	410 ± 60	28 ± 5
Non-prompt $j \rightarrow \gamma$	420 ± 50	42 ± 20
Misidentified $e \rightarrow \gamma$	155 ± 11	120 ± 9
Multiboson ($WH(\gamma\gamma), WW\gamma, Z\gamma\gamma$)	76 ± 13	5.2 ± 1.7
Non-prompt $j \rightarrow \ell$	35 ± 10	–
Top ($t\bar{t}\gamma, tW\gamma, tq\gamma$)	30 ± 7	136 ± 32
Pileup	10 ± 5	–
Total	$1\,136 \pm 34$	332 ± 18
Data	1 136	333

universality and correct modeling of τ -to- e and τ -to- μ decays, events from $W(\tau\nu)\gamma\gamma$ with leptonic τ decays that fall into the fit regions are included as a part of the signal in the fitting procedure and are normalized together with $W(e\nu)\gamma\gamma$ and $W(\mu\nu)\gamma\gamma$. The fit results yield an expected and observed significance of 5.6 standard deviations, corresponding to the observation of the $W\gamma\gamma$ process. No nuisance parameters are significantly pulled or constrained in the fit.

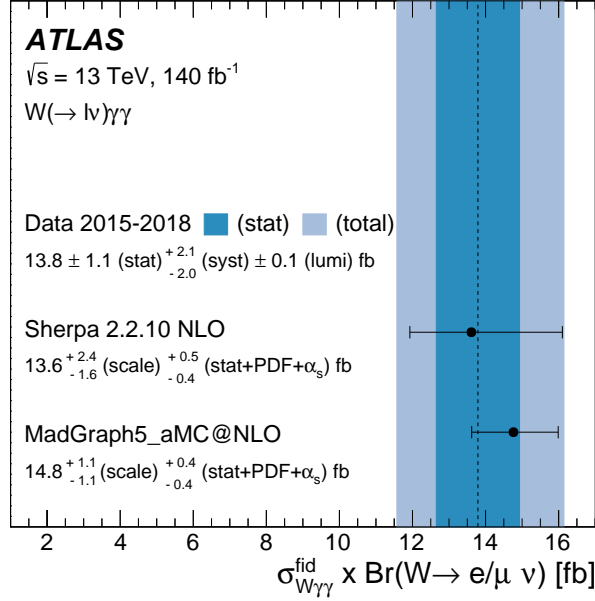


Figure 3: The measured fiducial $W(\rightarrow e\nu/\mu\nu)\gamma\gamma$ integrated cross section compared with both the signal event generator predictions.

In order to obtain an unfolded production cross section measurement, a fiducial phase space is defined to be as close as possible to the SR event sample selected at detector-level. Fiducial requirements are applied to dressed leptons, which are particle-level electrons and muons recombined with radiated photons within a cone of $\Delta R = 0.1$. Events are required to have a dressed electron or muon with $p_T > 25 \text{ GeV}$ and $|\eta| < 2.47$ while the two particle-level photons must satisfy $p_T > 20 \text{ GeV}$ and $|\eta| < 2.37$. Additionally, photons must satisfy the isolation requirement $(E_T^{\text{cone, gen.}} - 0.032 \times E_T) < 6.53 \text{ GeV}$, where $E_T^{\text{cone, gen.}}$ is computed from the vector momentum sum of all stable, generator-level particles within $\Delta R = 0.4$ of the photon. This isolation requirement is derived to vary with photon E_T to mimic the detector-level isolation requirement. Additionally, two separation requirements are applied to the two photons and between the lepton and each photon: $\Delta R_{\gamma\gamma} > 0.4$ and $\Delta R_{\ell\gamma} > 0.4$. Finally, fiducial events must satisfy $E_T^{\text{miss}} > 25 \text{ GeV}$, $m_T^W > 40 \text{ GeV}$, and a veto on b -jets with $p_T > 20 \text{ GeV}$ and $|\eta| < 2.5$. The unfolding is performed into a fiducial phase space with $W \rightarrow \mu\nu$ and $W \rightarrow e\nu$ decays; $W \rightarrow \tau\nu$ decays that pass these requirements, including events in which the tau decays leptonically, are not considered as part of the fiducial phase space.

Unfolding is performed on the measurement using a similar maximum likelihood method to the one used to perform the signal-strength extraction, where the effects of statistical, experimental, and theoretical uncertainties on the modeling of the correction from detector-level signal events to the fiducial phase space are taken into account. A correction factor C is calculated as the ratio of the number of signal MC events reconstructed in the signal region to the predicted in the fiducial phase-space. The number of detector-level events is defined as the sum of simulated MC events with two photons and W -boson decaying into an electron, muon, or leptonically decaying tau that pass all signal region requirements. The number of fiducial events is calculated using only simulated $W(e\nu)\gamma\gamma$ and $W(\mu\nu)\gamma\gamma$ signal MC events, where the electron or muon is prompt. The correction factor is computed to be $C = 0.210 \pm 0.004(\text{stat.})$

Table 2: Major sources of uncertainty and their impacts on the measured fiducial cross section, as calculated from the correlation matrix of the fiducial cross section fit. Squared values of impacts are determined by setting all nuisance parameters for a given uncertainty source to their best-fit value and subtracting the resulting squared value of the total uncertainty from the squared value of the total uncertainty in the nominal fit. Systematic uncertainty sources that contribute less than 0.1% are not shown. Efficiency uncertainties include, where applicable, uncertainties on data-MC agreement due to reconstruction, trigger selection, identification, isolation, and vertex-matching.

Source of uncertainty	Impact [%]
$j \rightarrow \gamma$ data-driven background estimate	12
Photon efficiency	4.5
Other data-driven background estimates	3.5
Background MC theoretical modeling	3.0
Monte Carlo statistics	2.7
Signal MC theoretical modeling	2.6
Jet efficiency and calibration	2.4
Top normalization	2.3
Pileup reweighting	1.6
Muon efficiency and calibration	1.4
E_T^{miss} calibration	1.3
Luminosity	1.0
Electron and photon calibration	0.7
Flavor tagging efficiency	0.6
Systematic	15
Statistical	8.3
Total	17

using the SHERPA NLO signal MC samples; a 2.9% relative difference is found when calculating C with MADGRAPH signal MC samples, which is in statistical agreement and thus no generator choice uncertainty is added. In the likelihood fit, the total number of expected signal events is defined as $N_{\text{sig}} = C \sigma_{\text{pred}}^{e/\mu} \mathcal{L}$. The signal production cross section is measured in the fiducial phase space from the number of signal events observed in data, the integrated luminosity, and the correction factor. The measured fiducial cross section for $W(e/\mu\nu)\gamma\gamma$ events is determined to be $\sigma_{\text{fid}} = 13.8 \pm 1.1(\text{stat})_{-2.0}^{+2.1}(\text{syst}) \pm 0.1(\text{lumi})$ fb and it is in close agreement with SM predictions as shown in Figure 3.

In Table 2, the dominant sources of uncertainty and their impact on the fiducial cross section are listed. For the purposes of this table, the uncertainties are grouped into common categories given their source. The impact of each group of systematic uncertainties is calculated by performing the likelihood fit where the individual parameters of the grouped systematics are set to their best fit values from the nominal fit and not allowed to float. For each grouping, the square value of the new overall fit uncertainty is subtracted from the squared value of the nominal fit uncertainty to obtain the squared value of the impact of the grouped uncertainties. The fit is performed under the assumption that the nuisance parameters for the grouped systematics that are held fixed are uncorrelated to all others that are allowed to float. This procedure is used only to estimate the impact of the individual groups of systematics, as it avoids the possibility of abnormal pulls that could occur if the fit were performed with only one group of nuisance parameters left floating at a time. The largest source of systematic uncertainty is due to the $j \rightarrow \gamma$ data-driven background estimate, followed by the statistical uncertainty on data. The modeling of the identification, isolation, and trigger

efficiencies to select photons in simulated $W\gamma\gamma$ events also represents a substantial source of uncertainty, and together these comprise the “Photon efficiency” uncertainty source in Table 2.

8 Conclusion

This letter reports the observation and measurement of the process $pp \rightarrow W(\ell\nu)\gamma\gamma$ by the ATLAS experiment at the LHC. Leptonic decays of the W boson to an electron or a muon accompanied by two photons are selected from the 140 fb^{-1} Run 2 dataset of proton-proton collisions at $\sqrt{s} = 13 \text{ TeV}$ produced by the LHC. A maximum likelihood fit of the signal and background yields leads to a rejection of the background-only hypothesis with an observed and expected significance of 5.6 standard deviations. The measured fiducial cross section for $W(e\nu)\gamma\gamma$ and $W(\mu\nu)\gamma\gamma$ events is $\sigma_{\text{fid}} = 13.8 \pm 1.1(\text{stat})_{-2.0}^{+2.1}(\text{syst}) \pm 0.1(\text{lumi}) \text{ fb}$, in agreement with the SM predictions for this process. The dominant sources of uncertainty come from the data-driven background estimates and the statistical uncertainty on data.

Acknowledgements

We thank CERN for the very successful operation of the LHC, as well as the support staff from our institutions without whom ATLAS could not be operated efficiently.

We acknowledge the support of ANPCyT, Argentina; YerPhI, Armenia; ARC, Australia; BMWFW and FWF, Austria; ANAS, Azerbaijan; CNPq and FAPESP, Brazil; NSERC, NRC and CFI, Canada; CERN; ANID, Chile; CAS, MOST and NSFC, China; Minciencias, Colombia; MEYS CR, Czech Republic; DNRF and DNSRC, Denmark; IN2P3-CNRS and CEA-DRF/IRFU, France; SRNSFG, Georgia; BMBF, HGF and MPG, Germany; GSRI, Greece; RGC and Hong Kong SAR, China; ISF and Benozziyo Center, Israel; INFN, Italy; MEXT and JSPS, Japan; CNRST, Morocco; NWO, Netherlands; RCN, Norway; MEiN, Poland; FCT, Portugal; MNE/IFA, Romania; MESTD, Serbia; MSSR, Slovakia; ARRS and MIZŠ, Slovenia; DSI/NRF, South Africa; MICINN, Spain; SRC and Wallenberg Foundation, Sweden; SERI, SNSF and Cantons of Bern and Geneva, Switzerland; MOST, Taiwan; TENMAK, Türkiye; STFC, United Kingdom; DOE and NSF, United States of America. In addition, individual groups and members have received support from BCKDF, CANARIE, Compute Canada and CRC, Canada; PRIMUS 21/SCI/017 and UNCE SCI/013, Czech Republic; COST, ERC, ERDF, Horizon 2020 and Marie Skłodowska-Curie Actions, European Union; Investissements d’Avenir Labex, Investissements d’Avenir IDEX and ANR, France; DFG and AvH Foundation, Germany; Herakleitos, Thales and Aristeia programmes co-financed by EU-ESF and the Greek NSRF, Greece; BSF-NSF and MINERVA, Israel; Norwegian Financial Mechanism 2014–2021, Norway; NCN and NAWA, Poland; La Caixa Banking Foundation, CERCA Programme Generalitat de Catalunya and PROMETEO and GenT Programmes Generalitat Valenciana, Spain; Göran Gustafssons Stiftelse, Sweden; The Royal Society and Leverhulme Trust, United Kingdom.

The crucial computing support from all WLCG partners is acknowledged gratefully, in particular from CERN, the ATLAS Tier-1 facilities at TRIUMF (Canada), NDGF (Denmark, Norway, Sweden), CC-IN2P3 (France), KIT/GridKA (Germany), INFN-CNAF (Italy), NL-T1 (Netherlands), PIC (Spain), ASGC (Taiwan), RAL (UK) and BNL (USA), the Tier-2 facilities worldwide and large non-WLCG resource providers. Major contributors of computing resources are listed in Ref. [65].

References

- [1] C. Degrande et al., *Effective Field Theory: A Modern Approach to Anomalous Couplings*, *Annals Phys.* **335** (2013) 21, arXiv: [1205.4231 \[hep-ph\]](#).
- [2] A. Falkowski, M. Gonzalez-Alonso, A. Greljo, D. Marzocca, and M. Son, *Anomalous Triple Gauge Couplings in the Effective Field Theory Approach at the LHC*, *JHEP* **02** (2017) 115, arXiv: [1609.06312 \[hep-ph\]](#).
- [3] O. J. P. Eboli, M. C. Gonzalez-Garcia, and S. M. Lietti, *Bosonic quartic couplings at CERN LHC*, *Phys. Rev. D* **69** (2004) 095005, arXiv: [hep-ph/0310141](#).
- [4] ATLAS Collaboration, *Measurement of the properties of Higgs boson production at $\sqrt{s} = 13$ TeV in the $H \rightarrow \gamma\gamma$ channel using 139 fb^{-1} of pp collision data with the ATLAS experiment*, (2022), arXiv: [2207.00348 \[hep-ex\]](#).
- [5] ATLAS Collaboration, *Evidence of $W\gamma\gamma$ Production in pp Collisions at $\sqrt{s} = 8$ TeV and Limits on Anomalous Quartic Gauge Couplings with the ATLAS Detector*, *Phys. Rev. Lett.* **115** (2015) 031802, arXiv: [1503.03243 \[hep-ex\]](#).
- [6] CMS Collaboration, *Measurements of the $pp \rightarrow W\gamma\gamma$ and $pp \rightarrow Z\gamma\gamma$ cross sections and limits on anomalous quartic gauge couplings at $\sqrt{s} = 8$ TeV*, *JHEP* **10** (2017) 072, arXiv: [1704.00366 \[hep-ex\]](#).
- [7] CMS Collaboration, *Measurements of the $pp \rightarrow W^\pm\gamma\gamma$ and $pp \rightarrow Z\gamma\gamma$ cross sections at $\sqrt{s} = 13$ TeV and limits on anomalous quartic gauge couplings*, *JHEP* **10** (2021) 174, arXiv: [2105.12780 \[hep-ex\]](#).
- [8] ATLAS Collaboration, *The ATLAS Experiment at the CERN Large Hadron Collider*, *JINST* **3** (2008) S08003.
- [9] ATLAS Collaboration, *The ATLAS Collaboration Software and Firmware*, ATL-SOFT-PUB-2021-001, 2021, URL: <https://cds.cern.ch/record/2767187>.
- [10] ATLAS Collaboration, *Luminosity determination in pp collisions at $\sqrt{s} = 13$ TeV using the ATLAS detector at the LHC*, ATLAS-CONF-2019-021, 2019, URL: <https://cds.cern.ch/record/2677054>.
- [11] ATLAS Collaboration, *ATLAS data quality operations and performance for 2015–2018 data-taking*, *JINST* **15** (2020) P04003, arXiv: [1911.04632 \[physics.ins-det\]](#).
- [12] ATLAS Collaboration, *Luminosity determination in pp collisions at $\sqrt{s} = 13$ TeV using the ATLAS detector at the LHC*, *Eur. Phys. J. C* **83** (2023) 982, arXiv: [2212.09379 \[hep-ex\]](#).
- [13] G. Avoni et al., *The new LUCID-2 detector for luminosity measurement and monitoring in ATLAS*, *JINST* **13** (2018) P07017.
- [14] E. Bothmann et al., *Event generation with Sherpa 2.2*, *SciPost Phys.* **7** (2019) 034, arXiv: [1905.09127 \[hep-ph\]](#).
- [15] T. Gleisberg and S. Höche, *Comix, a new matrix element generator*, *JHEP* **12** (2008) 039, arXiv: [0808.3674 \[hep-ph\]](#).
- [16] F. Cascioli, P. Maierhöfer, and S. Pozzorini, *Scattering Amplitudes with Open Loops*, *Phys. Rev. Lett.* **108** (2012) 111601, arXiv: [1111.5206 \[hep-ph\]](#).
- [17] F. Buccioni et al., *OpenLoops 2*, *Eur. Phys. J. C* **79** (2019) 866, arXiv: [1907.13071 \[hep-ph\]](#).

- [18] A. Denner, S. Dittmaier, and L. Hofer, *COLLIER: A fortran-based complex one-loop library in extended regularizations*, *Comput. Phys. Commun.* **212** (2017) 220, arXiv: [1604.06792 \[hep-ph\]](#).
- [19] S. Schumann and F. Krauss, *A parton shower algorithm based on Catani–Seymour dipole factorisation*, *JHEP* **03** (2008) 038, arXiv: [0709.1027 \[hep-ph\]](#).
- [20] S. Catani, F. Krauss, B. R. Webber, and R. Kuhn, *QCD Matrix Elements + Parton Showers*, *JHEP* **11** (2001) 063, arXiv: [hep-ph/0109231](#).
- [21] S. Höche, F. Krauss, S. Schumann, and F. Siegert, *QCD matrix elements and truncated showers*, *JHEP* **05** (2009) 053, arXiv: [0903.1219 \[hep-ph\]](#).
- [22] S. Höche, F. Krauss, M. Schönherr, and F. Siegert, *A critical appraisal of NLO+PS matching methods*, *JHEP* **09** (2012) 049, arXiv: [1111.1220 \[hep-ph\]](#).
- [23] S. Höche, F. Krauss, M. Schönherr, and F. Siegert, *QCD matrix elements + parton showers. The NLO case*, *JHEP* **04** (2013) 027, arXiv: [1207.5030 \[hep-ph\]](#).
- [24] The NNPDF Collaboration, R. D. Ball, et al., *Parton distributions for the LHC run II*, *JHEP* **04** (2015) 040, arXiv: [1410.8849 \[hep-ph\]](#).
- [25] S. Kallweit, J. M. Lindert, P. Maierhöfer, S. Pozzorini, and M. Schönherr, *NLO electroweak automation and precise predictions for W+multijet production at the LHC*, *JHEP* **04** (2015) 012, arXiv: [1412.5157 \[hep-ph\]](#).
- [26] S. Alioli, P. Nason, C. Oleari, and E. Re, *A general framework for implementing NLO calculations in shower Monte Carlo programs: the POWHEG BOX*, *JHEP* **06** (2010) 043, arXiv: [1002.2581 \[hep-ph\]](#).
- [27] T. Sjöstrand, S. Mrenna, and P. Skands, *A brief introduction to PYTHIA 8.1*, *Comput. Phys. Commun.* **178** (2008) 852, arXiv: [0710.3820 \[hep-ph\]](#).
- [28] S. Mrenna and P. Skands, *Automated parton-shower variations in PYTHIA 8*, *Phys. Rev. D* **94** (2016) 074005, arXiv: [1605.08352 \[hep-ph\]](#).
- [29] ATLAS Collaboration, *Measurement of the Z/ γ^* boson transverse momentum distribution in pp collisions at $\sqrt{s} = 7$ TeV with the ATLAS detector*, *JHEP* **09** (2014) 145, arXiv: [1406.3660 \[hep-ex\]](#).
- [30] J. Alwall et al., *The automated computation of tree-level and next-to-leading order differential cross sections, and their matching to parton shower simulations*, *JHEP* **07** (2014) 079, arXiv: [1405.0301 \[hep-ph\]](#).
- [31] NNPDF Collaboration, R. D. Ball, et al., *Parton distributions with LHC data*, *Nucl. Phys. B* **867** (2013) 244, arXiv: [1207.1303 \[hep-ph\]](#).
- [32] ATLAS Collaboration, *ATLAS Pythia 8 tunes to 7 TeV data*, ATL-PHYS-PUB-2014-021, 2014, URL: <https://cds.cern.ch/record/1966419>.
- [33] ATLAS Collaboration, *The ATLAS Simulation Infrastructure*, *Eur. Phys. J. C* **70** (2010) 823, arXiv: [1005.4568 \[physics.ins-det\]](#).
- [34] S. Agostinelli et al., *GEANT4 – a simulation toolkit*, *Nucl. Instrum. Meth. A* **506** (2003) 250.

- [35] ATLAS Collaboration, *The Pythia 8 A3 tune description of ATLAS minimum bias and inelastic measurements incorporating the Donnachie–Landshoff diffractive model*, ATL-PHYS-PUB-2016-017, 2016, URL: <https://cds.cern.ch/record/2206965>.
- [36] ATLAS Collaboration, *Performance of the ATLAS muon triggers in Run 2*, JINST **15** (2020) P09015, arXiv: [2004.13447](https://arxiv.org/abs/2004.13447) [hep-ex].
- [37] ATLAS Collaboration, *Performance of electron and photon triggers in ATLAS during LHC Run 2*, Eur. Phys. J. C **80** (2020) 47, arXiv: [1909.00761](https://arxiv.org/abs/1909.00761) [hep-ex].
- [38] ATLAS Collaboration, *Measurement of the photon identification efficiencies with the ATLAS detector using LHC Run 2 data collected in 2015 and 2016*, Eur. Phys. J. C **79** (2019) 205, arXiv: [1810.05087](https://arxiv.org/abs/1810.05087) [hep-ex].
- [39] ATLAS Collaboration, *Topological cell clustering in the ATLAS calorimeters and its performance in LHC Run 1*, Eur. Phys. J. C **77** (2017) 490, arXiv: [1603.02934](https://arxiv.org/abs/1603.02934) [hep-ex].
- [40] ATLAS Collaboration, *Electron reconstruction and identification in the ATLAS experiment using the 2015 and 2016 LHC proton–proton collision data at $\sqrt{s} = 13$ TeV*, Eur. Phys. J. C **79** (2019) 639, arXiv: [1902.04655](https://arxiv.org/abs/1902.04655) [hep-ex].
- [41] ATLAS Collaboration, *Muon reconstruction performance of the ATLAS detector in proton–proton collision data at $\sqrt{s} = 13$ TeV*, Eur. Phys. J. C **76** (2016) 292, arXiv: [1603.05598](https://arxiv.org/abs/1603.05598) [hep-ex].
- [42] ATLAS Collaboration, *Muon reconstruction and identification efficiency in ATLAS using the full Run 2 pp collision data set at $\sqrt{s} = 13$ TeV*, Eur. Phys. J. C **81** (2021) 578, arXiv: [2012.00578](https://arxiv.org/abs/2012.00578) [hep-ex].
- [43] M. Cacciari, G. P. Salam, and G. Soyez, *The anti- k_t jet clustering algorithm*, JHEP **04** (2008) 063, arXiv: [0802.1189](https://arxiv.org/abs/0802.1189) [hep-ph].
- [44] ATLAS Collaboration, *Jet reconstruction and performance using particle flow with the ATLAS Detector*, Eur. Phys. J. C **77** (2017) 466, arXiv: [1703.10485](https://arxiv.org/abs/1703.10485) [hep-ex].
- [45] ATLAS Collaboration, *Performance of pile-up mitigation techniques for jets in pp collisions at $\sqrt{s} = 8$ TeV using the ATLAS detector*, Eur. Phys. J. C **76** (2016) 581, arXiv: [1510.03823](https://arxiv.org/abs/1510.03823) [hep-ex].
- [46] ATLAS Collaboration, *ATLAS b-jet identification performance and efficiency measurement with $t\bar{t}$ events in pp collisions at $\sqrt{s} = 13$ TeV*, Eur. Phys. J. C **79** (2019) 970, arXiv: [1907.05120](https://arxiv.org/abs/1907.05120) [hep-ex].
- [47] ATLAS Collaboration, *Performance of b-jet identification in the ATLAS experiment*, JINST **11** (2016) P04008, arXiv: [1512.01094](https://arxiv.org/abs/1512.01094) [hep-ex].
- [48] ATLAS Collaboration, *E_T^{miss} performance in the ATLAS detector using 2015–2016 LHC pp collisions*, ATLAS-CONF-2018-023, 2018, URL: <https://cds.cern.ch/record/2625233>.
- [49] ATLAS Collaboration, *Electron and photon performance measurements with the ATLAS detector using the 2015–2017 LHC proton–proton collision data*, JINST **14** (2019) P12006, arXiv: [1908.00005](https://arxiv.org/abs/1908.00005) [hep-ex].
- [50] ATLAS Collaboration, *Measurement of the isolated diphoton cross section in pp collisions at $\sqrt{s} = 7$ TeV with the ATLAS detector*, Phys. Rev. D **85** (2012) 012003, arXiv: [1107.0581](https://arxiv.org/abs/1107.0581) [hep-ex].

- [51] A. D. Bukin, *Fitting function for asymmetric peaks*, (2007), arXiv: [0711.4449 \[physics.data-an\]](#).
- [52] K. S. Cranmer, *Kernel estimation in high-energy physics*, *Comput. Phys. Commun.* **136** (2001) 198, arXiv: [hep-ex/0011057](#).
- [53] S. Das, *A simple alternative to the Crystal Ball function*, (2016), arXiv: [1603.08591 \[hep-ex\]](#).
- [54] ATLAS Collaboration, *Tools for estimating fake/non-prompt lepton backgrounds with the ATLAS detector at the LHC*, *JINST* **18** (2023) T11004, arXiv: [2211.16178 \[hep-ex\]](#).
- [55] ATLAS Collaboration, *Measurement of the $Z(\rightarrow \ell^+\ell^-)\gamma$ production cross-section in pp collisions at $\sqrt{s} = 13$ TeV with the ATLAS detector*, *JHEP* **03** (2020) 054, arXiv: [1911.04813 \[hep-ex\]](#).
- [56] ATLAS Collaboration, *Jet energy scale and resolution measured in proton–proton collisions at $\sqrt{s} = 13$ TeV with the ATLAS detector*, *Eur. Phys. J. C* **81** (2020) 689, arXiv: [2007.02645 \[hep-ex\]](#).
- [57] ATLAS Collaboration, *Tagging and suppression of pileup jets*, ATL-PHYS-PUB-2014-001, 2014, URL: <https://cds.cern.ch/record/1643929>.
- [58] ATLAS Collaboration, *Identification and rejection of pile-up jets at high pseudorapidity with the ATLAS detector*, *Eur. Phys. J. C* **77** (2017) 580, arXiv: [1705.02211 \[hep-ex\]](#), Erratum: *Eur. Phys. J. C* **77** (2017) 712.
- [59] ATLAS Collaboration, *Performance of missing transverse momentum reconstruction with the ATLAS detector using proton–proton collisions at $\sqrt{s} = 13$ TeV*, *Eur. Phys. J. C* **78** (2018) 903, arXiv: [1802.08168 \[hep-ex\]](#).
- [60] J. Butterworth et al., *PDF4LHC recommendations for LHC Run II*, *J. Phys. G* **43** (2016) 023001, arXiv: [1510.03865 \[hep-ph\]](#).
- [61] A. D. Martin, W. J. Stirling, R. S. Thorne, and G. Watt, *Uncertainties on α_S in global PDF analyses and implications for predicted hadronic cross sections*, *Eur. Phys. J. C* **64** (2009) 653, arXiv: [0905.3531 \[hep-ph\]](#).
- [62] ATLAS Collaboration, *Multi-boson simulation for 13 TeV ATLAS analyses*, ATL-PHYS-PUB-2016-002, 2016, URL: <https://cds.cern.ch/record/2119986>.
- [63] K. Cranmer, G. Lewis, L. Moneta, A. Shibata, and W. Verkerke, *HistFactory: A tool for creating statistical models for use with RooFit and RooStats*, tech. rep., New York U., 2012, URL: <https://cds.cern.ch/record/1456844>.
- [64] F. James and M. Roos, *Minuit: A System for Function Minimization and Analysis of the Parameter Errors and Correlations*, *Comput. Phys. Commun.* **10** (1975) 343.
- [65] ATLAS Collaboration, *ATLAS Computing Acknowledgements*, ATL-SOFT-PUB-2021-003, 2021, URL: <https://cds.cern.ch/record/2776662>.

The ATLAS Collaboration

G. Aad ¹⁰³, B. Abbott ¹²¹, K. Abeling ⁵⁵, N.J. Abicht ⁴⁹, S.H. Abidi ²⁹, A. Aboulhorma ^{35e}, H. Abramowicz ¹⁵², H. Abreu ¹⁵¹, Y. Abulaiti ¹¹⁸, A.C. Abusleme Hoffman ^{138a}, B.S. Acharya ^{69a,69b,n}, C. Adam Bourdarios ⁴, L. Adamczyk ^{86a}, L. Adamek ¹⁵⁶, S.V. Addepalli ²⁶, M.J. Addison ¹⁰², J. Adelman ¹¹⁶, A. Adiguzel ^{21c}, T. Adye ¹³⁵, A.A. Affolder ¹³⁷, Y. Afik ³⁶, M.N. Agaras ¹³, J. Agarwala ^{73a,73b}, A. Aggarwal ¹⁰¹, C. Agheorghiesei ^{27c}, A. Ahmad ³⁶, F. Ahmadov ^{38,z}, W.S. Ahmed ¹⁰⁵, S. Ahuja ⁹⁶, X. Ai ^{62a}, G. Aielli ^{76a,76b}, M. Ait Tamliah ^{35e}, B. Aitbenkikh ^{35a}, I. Aizenberg ¹⁷⁰, M. Akbiyik ¹⁰¹, T.P.A. Åkesson ⁹⁹, A.V. Akimov ³⁷, D. Akiyama ¹⁶⁹, N.N. Akolkar ²⁴, K. Al Houry ⁴¹, G.L. Alberghi ^{23b}, J. Albert ¹⁶⁶, P. Albicocco ⁵³, G.L. Albouy ⁶⁰, S. Alderweireldt ⁵², M. Aleksa ³⁶, I.N. Aleksandrov ³⁸, C. Alexa ^{27b}, T. Alexopoulos ¹⁰, A. Alfonsi ¹¹⁵, F. Alfonsi ^{23b}, M. Algren ⁵⁶, M. Alhroob ¹²¹, B. Ali ¹³³, H.M.J. Ali ⁹², S. Ali ¹⁴⁹, S.W. Alibocus ⁹³, M. Aliev ³⁷, G. Alimonti ^{71a}, W. Alkahi ⁵⁵, C. Allaire ⁶⁶, B.M.M. Allbrooke ¹⁴⁷, J.F. Allen ⁵², C.A. Allendes Flores ^{138f}, P.P. Allport ²⁰, A. Aloisio ^{72a,72b}, F. Alonso ⁹¹, C. Alpigiani ¹³⁹, M. Alvarez Estevez ¹⁰⁰, A. Alvarez Fernandez ¹⁰¹, M.G. Alvigi ^{72a,72b}, M. Aly ¹⁰², Y. Amaral Coutinho ^{83b}, A. Ambler ¹⁰⁵, C. Amelung ³⁶, M. Amerl ¹⁰², C.G. Ames ¹¹⁰, D. Amidei ¹⁰⁷, S.P. Amor Dos Santos ^{131a}, K.R. Amos ¹⁶⁴, V. Ananiev ¹²⁶, C. Anastopoulos ¹⁴⁰, T. Andeen ¹¹, J.K. Anders ³⁶, S.Y. Andreev ^{47a,47b}, A. Andreazza ^{71a,71b}, S. Angelidakis ⁹, A. Angerami ^{41,ac}, A.V. Anisenkov ³⁷, A. Annovi ^{74a}, C. Antel ⁵⁶, M.T. Anthony ¹⁴⁰, E. Antipov ¹⁴⁶, M. Antonelli ⁵³, D.J.A. Antrim ^{17a}, F. Anulli ^{75a}, M. Aoki ⁸⁴, T. Aoki ¹⁵⁴, J.A. Aparisi Pozo ¹⁶⁴, M.A. Aparo ¹⁴⁷, L. Aperio Bella ⁴⁸, C. Appelt ¹⁸, A. Apyan ²⁶, N. Aranzabal ³⁶, C. Arcangeletti ⁵³, A.T.H. Arce ⁵¹, E. Arena ⁹³, J-F. Arguin ¹⁰⁹, S. Argyropoulos ⁵⁴, J.-H. Arling ⁴⁸, A.J. Armbruster ³⁶, O. Arnaez ⁴, H. Arnold ¹¹⁵, Z.P. Arrubarrena Tame ¹¹⁰, G. Artoni ^{75a,75b}, H. Asada ¹¹², K. Asai ¹¹⁹, S. Asai ¹⁵⁴, N.A. Asbah ⁶¹, K. Assamagan ²⁹, R. Astalos ^{28a}, S. Atashi ¹⁶¹, R.J. Atkin ^{33a}, M. Atkinson ¹⁶³, N.B. Atlay ¹⁸, H. Atmani ^{62b}, P.A. Atlasiddha ¹⁰⁷, K. Augsten ¹³³, S. Auricchio ^{72a,72b}, A.D. Auriol ²⁰, V.A. Austrup ¹⁰², G. Avolio ³⁶, K. Axiotis ⁵⁶, G. Azuelos ^{109,ag}, D. Babal ^{28b}, H. Bachacou ¹³⁶, K. Bachas ^{153,q}, A. Bachiu ³⁴, F. Backman ^{47a,47b}, A. Badea ⁶¹, P. Bagnaia ^{75a,75b}, M. Bahmani ¹⁸, A.J. Bailey ¹⁶⁴, V.R. Bailey ¹⁶³, J.T. Baines ¹³⁵, L. Baines ⁹⁵, C. Bakalis ¹⁰, O.K. Baker ¹⁷³, E. Bakos ¹⁵, D. Bakshi Gupta ⁸, R. Balasubramanian ¹¹⁵, E.M. Baldin ³⁷, P. Balek ^{86a}, E. Ballabene ^{23b,23a}, F. Balli ¹³⁶, L.M. Baltes ^{63a}, W.K. Balunas ³², J. Balz ¹⁰¹, E. Banas ⁸⁷, M. Bandieramonte ¹³⁰, A. Bandyopadhyay ²⁴, S. Bansal ²⁴, L. Barak ¹⁵², M. Barakat ⁴⁸, E.L. Barberio ¹⁰⁶, D. Barberis ^{57b,57a}, M. Barbero ¹⁰³, G. Barbour ⁹⁷, K.N. Barends ^{33a}, T. Barillari ¹¹¹, M-S. Barisits ³⁶, T. Barklow ¹⁴⁴, P. Baron ¹²³, D.A. Baron Moreno ¹⁰², A. Baroncelli ^{62a}, G. Barone ²⁹, A.J. Barr ¹²⁷, J.D. Barr ⁹⁷, L. Barranco Navarro ^{47a,47b}, F. Barreiro ¹⁰⁰, J. Barreiro Guimarães da Costa ^{14a}, U. Barron ¹⁵², M.G. Barros Teixeira ^{131a}, S. Barsov ³⁷, F. Bartels ^{63a}, R. Bartoldus ¹⁴⁴, A.E. Barton ⁹², P. Bartos ^{28a}, A. Basan ¹⁰¹, M. Baselga ⁴⁹, A. Bassalat ^{66,b}, M.J. Basso ^{157a}, C.R. Basson ¹⁰², R.L. Bates ⁵⁹, S. Batlamous ^{35e}, J.R. Batley ³², B. Batool ¹⁴², M. Battaglia ¹³⁷, D. Battulga ¹⁸, M. Bauge ^{75a,75b}, M. Bauer ³⁶, P. Bauer ²⁴, L.T. Bazzano Hurrell ³⁰, J.B. Beacham ⁵¹, T. Beau ¹²⁸, P.H. Beauchemin ¹⁵⁹, F. Becherer ⁵⁴, P. Bechtel ²⁴, H.P. Beck ^{19,p}, K. Becker ¹⁶⁸, A.J. Beddall ⁸², V.A. Bednyakov ³⁸, C.P. Bee ¹⁴⁶, L.J. Beemster ¹⁵, T.A. Beermann ³⁶, M. Begalli ^{83d}, M. Begel ²⁹, A. Behera ¹⁴⁶, J.K. Behr ⁴⁸, J.F. Beirer ⁵⁵, F. Beisiegel ²⁴, M. Belfkir ¹⁶⁰, G. Bella ¹⁵², L. Bellagamba ^{23b}, A. Bellerive ³⁴, P. Bellos ²⁰, K. Beloborodov ³⁷, N.L. Belyaev ³⁷, D. Benckekroun ^{35a}, F. Bendebba ^{35a}, Y. Benhammou ¹⁵²,

M. Benoit ²⁹, J.R. Bensinger ²⁶, S. Bentvelsen ¹¹⁵, L. Beresford ⁴⁸, M. Beretta ⁵³,
E. Bergeaas Kuutmann ¹⁶², N. Berger ⁴, B. Bergmann ¹³³, J. Beringer ^{17a}, G. Bernardi ⁵,
C. Bernius ¹⁴⁴, F.U. Bernlochner ²⁴, F. Bernon ^{36,103}, T. Berry ⁹⁶, P. Berta ¹³⁴, A. Berthold ⁵⁰,
I.A. Bertram ⁹², S. Bethke ¹¹¹, A. Betti ^{75a,75b}, A.J. Bevan ⁹⁵, M. Bhamjee ^{33c}, S. Bhatta ¹⁴⁶,
D.S. Bhattacharya ¹⁶⁷, P. Bhattarai ²⁶, V.S. Bhopatkar ¹²², R. Bi ^{29,ai}, R.M. Bianchi ¹³⁰,
G. Bianco ^{23b,23a}, O. Biebel ¹¹⁰, R. Bielski ¹²⁴, M. Biglietti ^{77a}, T.R.V. Billoud ¹³³, M. Bindi ⁵⁵,
A. Bingul ^{21b}, C. Bini ^{75a,75b}, A. Biondini ⁹³, C.J. Birch-sykes ¹⁰², G.A. Bird ^{20,135},
M. Birman ¹⁷⁰, M. Biros ¹³⁴, T. Bisanz ⁴⁹, E. Bisceglie ^{43b,43a}, D. Biswas ¹⁴², A. Bitadze ¹⁰²,
K. Bjørke ¹²⁶, I. Bloch ⁴⁸, C. Blocker ²⁶, A. Blue ⁵⁹, U. Blumenschein ⁹⁵, J. Blumenthal ¹⁰¹,
G.J. Bobbink ¹¹⁵, V.S. Bobrovnikov ³⁷, M. Boehler ⁵⁴, B. Boehm ¹⁶⁷, D. Bogavac ³⁶,
A.G. Bogdanchikov ³⁷, C. Bohm ^{47a}, V. Boisvert ⁹⁶, P. Bokan ⁴⁸, T. Bold ^{86a}, M. Bomben ⁵,
M. Bona ⁹⁵, M. Boonekamp ¹³⁶, C.D. Booth ⁹⁶, A.G. Borbély ⁵⁹, I.S. Bordulev ³⁷,
H.M. Borecka-Bielska ¹⁰⁹, L.S. Borgna ⁹⁷, G. Borissov ⁹², D. Bortoletto ¹²⁷, D. Boscherini ^{23b},
M. Bosman ¹³, J.D. Bossio Sola ³⁶, K. Bouaouda ^{35a}, N. Bouchhar ¹⁶⁴, J. Boudreau ¹³⁰,
E.V. Bouhova-Thacker ⁹², D. Boumediene ⁴⁰, R. Bouquet ⁵, A. Boveia ¹²⁰, J. Boyd ³⁶,
D. Boye ²⁹, I.R. Boyko ³⁸, J. Bracik ²⁰, N. Brahimi ^{62d}, G. Brandt ¹⁷², O. Brandt ³²,
F. Braren ⁴⁸, B. Brau ¹⁰⁴, J.E. Brau ¹²⁴, R. Brenner ¹⁷⁰, L. Brenner ¹¹⁵, R. Brenner ¹⁶²,
S. Bressler ¹⁷⁰, D. Britton ⁵⁹, D. Britzger ¹¹¹, I. Brock ²⁴, G. Brooijmans ⁴¹, W.K. Brooks ^{138f},
E. Brost ²⁹, L.M. Brown ¹⁶⁶, L.E. Bruce ⁶¹, T.L. Bruckler ¹²⁷, P.A. Bruckman de Renstrom ⁸⁷,
B. Brüers ⁴⁸, D. Bruncko ^{28b,*}, A. Bruni ^{23b}, G. Bruni ^{23b}, M. Bruschi ^{23b}, N. Bruscinò ^{75a,75b},
T. Buanes ¹⁶, Q. Buat ¹³⁹, D. Buchin ¹¹¹, A.G. Buckley ⁵⁹, M.K. Bugge ¹²⁶, O. Bulekov ³⁷,
B.A. Bullard ¹⁴⁴, S. Burdin ⁹³, C.D. Burgard ⁴⁹, A.M. Burger ⁴⁰, B. Burghgrave ⁸,
O. Burlayenko ⁵⁴, J.T.P. Burr ³², C.D. Burton ¹¹, J.C. Burzynski ¹⁴³, E.L. Busch ⁴¹,
V. Büscher ¹⁰¹, P.J. Bussey ⁵⁹, J.M. Butler ²⁵, C.M. Buttar ⁵⁹, J.M. Butterworth ⁹⁷,
W. Buttinger ¹³⁵, C.J. Buxo Vazquez ¹⁰⁸, A.R. Buzykaev ³⁷, G. Cabras ^{23b}, S. Cabrera Urbán ¹⁶⁴,
L. Cadamuro ⁶⁶, D. Caforio ⁵⁸, H. Cai ¹³⁰, Y. Cai ^{14a,14e}, V.M.M. Cairo ³⁶, O. Cakir ^{3a},
N. Calace ³⁶, P. Calafiura ^{17a}, G. Calderini ¹²⁸, P. Calfayan ⁶⁸, G. Callea ⁵⁹, L.P. Caloba ^{83b},
D. Calvet ⁴⁰, S. Calvet ⁴⁰, T.P. Calvet ¹⁰³, M. Calvetti ^{74a,74b}, R. Camacho Toro ¹²⁸,
S. Camarda ³⁶, D. Camarero Munoz ²⁶, P. Camarri ^{76a,76b}, M.T. Camerlingo ^{72a,72b},
D. Cameron ¹²⁶, C. Camincher ¹⁶⁶, M. Campanelli ⁹⁷, A. Camplani ⁴², V. Canale ^{72a,72b},
A. Canesse ¹⁰⁵, M. Cano Bret ⁸⁰, J. Cantero ¹⁶⁴, Y. Cao ¹⁶³, F. Capocasa ²⁶, M. Capua ^{43b,43a},
A. Carbone ^{71a,71b}, R. Cardarelli ^{76a}, J.C.J. Cardenas ⁸, F. Cardillo ¹⁶⁴, T. Carli ³⁶,
G. Carlino ^{72a}, J.I. Carlotto ¹³, B.T. Carlson ^{130,r}, E.M. Carlson ^{166,157a}, L. Carminati ^{71a,71b},
A. Carnelli ¹³⁶, M. Carnesale ^{75a,75b}, S. Caron ¹¹⁴, E. Carquin ^{138f}, S. Carrá ^{71a},
G. Carratta ^{23b,23a}, F. Carrio Argos ^{33g}, J.W.S. Carter ¹⁵⁶, T.M. Carter ⁵², M.P. Casado ^{13,i},
M. Caspar ⁴⁸, E.G. Castiglia ¹⁷³, F.L. Castillo ⁴, L. Castillo Garcia ¹³, V. Castillo Gimenez ¹⁶⁴,
N.F. Castro ^{131a,131e}, A. Catinaccio ³⁶, J.R. Catmore ¹²⁶, V. Cavaliere ²⁹, N. Cavalli ^{23b,23a},
V. Cavasinni ^{74a,74b}, Y.C. Cekmecelioglu ⁴⁸, E. Celebi ^{21a}, F. Celli ¹²⁷, M.S. Centonze ^{70a,70b},
K. Cerny ¹²³, A.S. Cerqueira ^{83a}, A. Cerri ¹⁴⁷, L. Cerrito ^{76a,76b}, F. Cerutti ^{17a}, B. Cervato ¹⁴²,
A. Cervelli ^{23b}, G. Cesarini ⁵³, S.A. Cetin ⁸², Z. Chadi ^{35a}, D. Chakraborty ¹¹⁶, M. Chala ^{131f},
J. Chan ¹⁷¹, W.Y. Chan ¹⁵⁴, J.D. Chapman ³², E. Chapon ¹³⁶, B. Chargeishvili ^{150b},
D.G. Charlton ²⁰, T.P. Charman ⁹⁵, M. Chatterjee ¹⁹, C. Chauhan ¹³⁴, S. Chekanov ⁶,
S.V. Chekulaev ^{157a}, G.A. Chelkov ^{38,a}, A. Chen ¹⁰⁷, B. Chen ¹⁵², B. Chen ¹⁶⁶, H. Chen ^{14c},
H. Chen ²⁹, J. Chen ^{62c}, J. Chen ¹⁴³, M. Chen ¹²⁷, S. Chen ¹⁵⁴, S.J. Chen ^{14c}, X. Chen ^{62c},
X. Chen ^{14b,af}, Y. Chen ^{62a}, C.L. Cheng ¹⁷¹, H.C. Cheng ^{64a}, S. Cheong ¹⁴⁴, A. Cheplakov ³⁸,
E. Cheremushkina ⁴⁸, E. Cherepanova ¹¹⁵, R. Cherkaoui El Moursli ^{35e}, E. Cheu ⁷, K. Cheung ⁶⁵,
L. Chevalier ¹³⁶, V. Chiarella ⁵³, G. Chiarelli ^{74a}, N. Chiedde ¹⁰³, G. Chiodini ^{70a},

A.S. Chisholm ^{id20}, A. Chitan ^{id27b}, M. Chitishvili ^{id164}, M.V. Chizhov ^{id38}, K. Choi ^{id11},
 A.R. Chomont ^{id75a,75b}, Y. Chou ^{id104}, E.Y.S. Chow ^{id115}, T. Chowdhury ^{id33g}, K.L. Chu ^{id170},
 M.C. Chu ^{id64a}, X. Chu ^{id14a,14e}, J. Chudoba ^{id132}, J.J. Chwastowski ^{id87}, D. Cieri ^{id111}, K.M. Ciesla ^{id86a},
 V. Cindro ^{id94}, A. Ciocio ^{id17a}, F. Cirotto ^{id72a,72b}, Z.H. Citron ^{id170,1}, M. Citterio ^{id71a}, D.A. Ciubotaru ^{id27b},
 B.M. Ciungu ^{id156}, A. Clark ^{id56}, P.J. Clark ^{id52}, J.M. Clavijo Columbie ^{id48}, S.E. Clawson ^{id48},
 C. Clement ^{id47a,47b}, J. Clercx ^{id48}, L. Clissa ^{id23b,23a}, Y. Coadou ^{id103}, M. Cobal ^{id69a,69c},
 A. Coccaro ^{id57b}, R.F. Coelho Barrue ^{id131a}, R. Coelho Lopes De Sa ^{id104}, S. Coelli ^{id71a}, H. Cohen ^{id152},
 A.E.C. Coimbra ^{id71a,71b}, B. Cole ^{id41}, J. Collot ^{id60}, P. Conde Muiño ^{id131a,131g}, M.P. Connell ^{id33c},
 S.H. Connell ^{id33c}, I.A. Connelly ^{id59}, E.I. Conroy ^{id127}, F. Conventi ^{id72a,ah}, H.G. Cooke ^{id20},
 A.M. Cooper-Sarkar ^{id127}, A. Cordeiro Oudot Choi ^{id128}, F. Cormier ^{id165}, L.D. Corpe ^{id40},
 M. Corradi ^{id75a,75b}, F. Corriveau ^{id105,x}, A. Cortes-Gonzalez ^{id18}, M.J. Costa ^{id164}, F. Costanza ^{id4},
 D. Costanzo ^{id140}, B.M. Cote ^{id120}, G. Cowan ^{id96}, K. Cranmer ^{id171}, D. Cremonini ^{id23b,23a},
 S. Crépe-Renaudin ^{id60}, F. Crescioli ^{id128}, M. Cristinziani ^{id142}, M. Cristoforetti ^{id78a,78b}, V. Croft ^{id115},
 J.E. Crosby ^{id122}, G. Crosetti ^{id43b,43a}, A. Cueto ^{id100}, T. Cuhadar Donszelmann ^{id161}, H. Cui ^{id14a,14e},
 Z. Cui ^{id7}, W.R. Cunningham ^{id59}, F. Curcio ^{id43b,43a}, P. Czodrowski ^{id36}, M.M. Czurylo ^{id63b},
 M.J. Da Cunha Sargedas De Sousa ^{id62a}, J.V. Da Fonseca Pinto ^{id83b}, C. Da Via ^{id102}, W. Dabrowski ^{id86a},
 T. Dado ^{id49}, S. Dahbi ^{id33g}, T. Dai ^{id107}, C. Dallapiccola ^{id104}, M. Dam ^{id42}, G. D'amen ^{id29},
 V. D'Amico ^{id110}, J. Damp ^{id101}, J.R. Dandoy ^{id129}, M.F. Daneri ^{id30}, M. Danninger ^{id143}, V. Dao ^{id36},
 G. Darbo ^{id57b}, S. Darmora ^{id6}, S.J. Das ^{id29,ai}, S. D'Auria ^{id71a,71b}, C. David ^{id157b}, T. Davidek ^{id134},
 B. Davis-Purcell ^{id34}, I. Dawson ^{id95}, H.A. Day-hall ^{id133}, K. De ^{id8}, R. De Asmundis ^{id72a},
 N. De Biase ^{id48}, S. De Castro ^{id23b,23a}, N. De Groot ^{id114}, P. de Jong ^{id115}, H. De la Torre ^{id108},
 A. De Maria ^{id14c}, A. De Salvo ^{id75a}, U. De Sanctis ^{id76a,76b}, A. De Santo ^{id147},
 J.B. De Vivie De Regie ^{id60}, D.V. Dedovich ^{id38}, J. Degens ^{id115}, A.M. Deiana ^{id44}, F. Del Corso ^{id23b,23a},
 J. Del Peso ^{id100}, F. Del Rio ^{id63a}, F. Deliot ^{id136}, C.M. Delitzsch ^{id49}, M. Della Pietra ^{id72a,72b},
 D. Della Volpe ^{id56}, A. Dell'Acqua ^{id36}, L. Dell'Asta ^{id71a,71b}, M. Delmastro ^{id4}, P.A. Delsart ^{id60},
 S. Demers ^{id173}, M. Demichev ^{id38}, S.P. Denisov ^{id37}, L. D'Eramo ^{id40}, D. Derendarz ^{id87}, F. Derue ^{id128},
 P. Dervan ^{id93}, K. Desch ^{id24}, C. Deutsch ^{id24}, F.A. Di Bello ^{id57b,57a}, A. Di Ciaccio ^{id76a,76b},
 L. Di Ciaccio ^{id4}, A. Di Domenico ^{id75a,75b}, C. Di Donato ^{id72a,72b}, A. Di Girolamo ^{id36},
 G. Di Gregorio ^{id5}, A. Di Luca ^{id78a,78b}, B. Di Micco ^{id77a,77b}, R. Di Nardo ^{id77a,77b}, C. Diaconu ^{id103},
 F.A. Dias ^{id115}, T. Dias Do Vale ^{id143}, M.A. Diaz ^{id138a,138b}, F.G. Diaz Capriles ^{id24}, M. Didenko ^{id164},
 E.B. Diehl ^{id107}, L. Diehl ^{id54}, S. Díez Cornell ^{id48}, C. Diez Pardos ^{id142}, C. Dimitriadi ^{id24,162},
 A. Dimitrievska ^{id17a}, J. Dingfelder ^{id24}, I-M. Dinu ^{id27b}, S.J. Dittmeier ^{id63b}, F. Dittus ^{id36},
 F. Djama ^{id103}, T. Djobava ^{id150b}, J.I. Djuvsland ^{id16}, C. Doglioni ^{id102,99}, J. Dolejsi ^{id134},
 Z. Dolezal ^{id134}, M. Donadelli ^{id83c}, B. Dong ^{id108}, J. Donini ^{id40}, A. D'Onofrio ^{id77a,77b},
 M. D'Onofrio ^{id93}, J. Dopke ^{id135}, A. Doria ^{id72a}, N. Dos Santos Fernandes ^{id131a}, M.T. Dova ^{id91},
 A.T. Doyle ^{id59}, M.A. Draguet ^{id127}, E. Dreyer ^{id170}, I. Drivas-koulouris ^{id10}, A.S. Drobac ^{id159},
 M. Drozdova ^{id56}, D. Du ^{id62a}, T.A. du Pree ^{id115}, F. Dubinin ^{id37}, M. Dubovsky ^{id28a}, E. Duchovni ^{id170},
 G. Duckeck ^{id110}, O.A. Ducu ^{id27b}, D. Duda ^{id52}, A. Dudarev ^{id36}, E.R. Duden ^{id26}, M. D'uffizi ^{id102},
 L. Duflot ^{id66}, M. Dührssen ^{id36}, C. Dülsen ^{id172}, A.E. Dumitriu ^{id27b}, M. Dunford ^{id63a}, S. Dungs ^{id49},
 K. Dunne ^{id47a,47b}, A. Duperrin ^{id103}, H. Duran Yildiz ^{id3a}, M. Düren ^{id58}, A. Durglishvili ^{id150b},
 B.L. Dwyer ^{id116}, G.I. Dyckes ^{id17a}, M. Dyndal ^{id86a}, S. Dysch ^{id102}, B.S. Dziedzic ^{id87},
 Z.O. Earnshaw ^{id147}, G.H. Eberwein ^{id127}, B. Eckerova ^{id28a}, S. Eggebrecht ^{id55}, M.G. Eggleston ^{id51},
 E. Egidio Purcino De Souza ^{id128}, L.F. Ehrke ^{id56}, G. Eigen ^{id16}, K. Einsweiler ^{id17a}, T. Ekelof ^{id162},
 P.A. Ekman ^{id99}, S. El Farkh ^{id35b}, Y. El Ghazali ^{id35b}, H. El Jarrari ^{id35e,149}, A. El Moussaouy ^{id35a},
 V. Ellajosyula ^{id162}, M. Ellert ^{id162}, F. Ellinghaus ^{id172}, A.A. Elliot ^{id95}, N. Ellis ^{id36}, J. Elmsheuser ^{id29},
 M. Elsing ^{id36}, D. Emeliyanov ^{id135}, Y. Enari ^{id154}, I. Ene ^{id17a}, S. Epari ^{id13}, J. Erdmann ^{id49},
 P.A. Erland ^{id87}, M. Errenst ^{id172}, M. Escalier ^{id66}, C. Escobar ^{id164}, E. Etzion ^{id152}, G. Evans ^{id131a},

H. Evans [ID68](#), L.S. Evans [ID96](#), M.O. Evans [ID147](#), A. Ezhilov [ID37](#), S. Ezzarqtouni [ID35a](#), F. Fabbri [ID59](#),
 L. Fabbri [ID23b,23a](#), G. Facini [ID97](#), V. Fadeyev [ID137](#), R.M. Fakhruddinov [ID37](#), S. Falciano [ID75a](#),
 L.F. Falda Ulhoa Coelho [ID36](#), P.J. Falke [ID24](#), J. Faltova [ID134](#), C. Fan [ID163](#), Y. Fan [ID14a](#), Y. Fang [ID14a,14e](#),
 M. Fanti [ID71a,71b](#), M. Faraj [ID69a,69b](#), Z. Farazpay [ID98](#), A. Farbin [ID8](#), A. Farilla [ID77a](#), T. Farooque [ID108](#),
 S.M. Farrington [ID52](#), F. Fassi [ID35e](#), D. Fassouliotis [ID9](#), M. Faucci Giannelli [ID76a,76b](#), W.J. Fawcett [ID32](#),
 L. Fayard [ID66](#), P. Federic [ID134](#), P. Federicova [ID132](#), O.L. Fedin [ID37,a](#), G. Fedotov [ID37](#), M. Feickert [ID171](#),
 L. Feligioni [ID103](#), D.E. Fellers [ID124](#), C. Feng [ID62b](#), M. Feng [ID14b](#), Z. Feng [ID115](#), M.J. Fenton [ID161](#),
 A.B. Fenyuk [ID37](#), L. Ferencz [ID48](#), R.A.M. Ferguson [ID92](#), S.I. Fernandez Luengo [ID138f](#), M.J.V. Fernoux [ID103](#),
 J. Ferrando [ID48](#), A. Ferrari [ID162](#), P. Ferrari [ID115,114](#), R. Ferrari [ID73a](#), D. Ferrere [ID56](#), C. Ferretti [ID107](#),
 F. Fiedler [ID101](#), A. Filipčič [ID94](#), E.K. Filmer [ID1](#), F. Filthaut [ID114](#), M.C.N. Fiolhais [ID131a,131c,c](#),
 L. Fiorini [ID164](#), W.C. Fisher [ID108](#), T. Fitschen [ID102](#), P.M. Fitzhugh [ID136](#), I. Fleck [ID142](#), P. Fleischmann [ID107](#),
 T. Flick [ID172](#), L. Flores [ID129](#), M. Flores [ID33d,ad](#), L.R. Flores Castillo [ID64a](#), L. Flores Sanz De Acedo [ID36](#),
 F.M. Follega [ID78a,78b](#), N. Fomin [ID16](#), J.H. Foo [ID156](#), B.C. Forland [ID68](#), A. Formica [ID136](#), A.C. Forti [ID102](#),
 E. Fortin [ID36](#), A.W. Fortman [ID61](#), M.G. Foti [ID17a](#), L. Fountas [ID9j](#), D. Fournier [ID66](#), H. Fox [ID92](#),
 P. Francavilla [ID74a,74b](#), S. Francescato [ID61](#), S. Franchellucci [ID56](#), M. Franchini [ID23b,23a](#),
 S. Franchino [ID63a](#), D. Francis [ID36](#), L. Franco [ID114](#), L. Franconi [ID48](#), M. Franklin [ID61](#), G. Frattari [ID26](#),
 A.C. Freegard [ID95](#), W.S. Freund [ID83b](#), Y.Y. Frid [ID152](#), N. Fritzsche [ID50](#), A. Froch [ID54](#), D. Froidevaux [ID36](#),
 J.A. Frost [ID127](#), Y. Fu [ID62a](#), M. Fujimoto [ID119](#), E. Fullana Torregrosa [ID164,*](#), K.Y. Fung [ID64a](#),
 E. Furtado De Simas Filho [ID83b](#), M. Furukawa [ID154](#), J. Fuster [ID164](#), A. Gabrielli [ID23b,23a](#),
 A. Gabrielli [ID156](#), P. Gadow [ID48](#), G. Gagliardi [ID57b,57a](#), L.G. Gagnon [ID17a](#), E.J. Gallas [ID127](#),
 B.J. Gallop [ID135](#), K.K. Gan [ID120](#), S. Ganguly [ID154](#), J. Gao [ID62a](#), Y. Gao [ID52](#), F.M. Garay Walls [ID138a,138b](#),
 B. Garcia [ID29](#), C. García [ID164](#), A. Garcia Alonso [ID115](#), A.G. Garcia Caffaro [ID173](#), J.E. García Navarro [ID164](#),
 M. Garcia-Sciveres [ID17a](#), G.L. Gardner [ID129](#), R.W. Gardner [ID39](#), N. Garelli [ID159](#), D. Garg [ID80](#),
 R.B. Garg [ID144,o](#), J.M. Gargan [ID52](#), C.A. Garner [ID156](#), S.J. Gasiorowski [ID139](#), P. Gaspar [ID83b](#), G. Gaudio [ID73a](#),
 V. Gautam [ID13](#), P. Gauzzi [ID75a,75b](#), I.L. Gavrilenko [ID37](#), A. Gavrilyuk [ID37](#), C. Gay [ID165](#), G. Gaycken [ID48](#),
 E.N. Gazis [ID10](#), A.A. Geanta [ID27b](#), C.M. Gee [ID137](#), C. Gemme [ID57b](#), M.H. Genest [ID60](#),
 S. Gentile [ID75a,75b](#), S. George [ID96](#), W.F. George [ID20](#), T. Geralis [ID46](#), P. Gessinger-Befurt [ID36](#),
 M.E. Geyik [ID172](#), M. Ghneimat [ID142](#), K. Ghorbanian [ID95](#), A. Ghosal [ID142](#), A. Ghosh [ID161](#), A. Ghosh [ID7](#),
 B. Giacobbe [ID23b](#), S. Giagu [ID75a,75b](#), P. Giannetti [ID74a](#), A. Giannini [ID62a](#), S.M. Gibson [ID96](#),
 M. Gignac [ID137](#), D.T. Gil [ID86b](#), A.K. Gilbert [ID86a](#), B.J. Gilbert [ID41](#), D. Gillberg [ID34](#), G. Gilles [ID115](#),
 N.E.K. Gillwald [ID48](#), L. Ginabat [ID128](#), D.M. Gingrich [ID2,ag](#), M.P. Giordani [ID69a,69c](#), P.F. Giraud [ID136](#),
 G. Giugliarelli [ID69a,69c](#), D. Giugni [ID71a](#), F. Giuli [ID36](#), I. Gkialas [ID9j](#), L.K. Gladilin [ID37](#), C. Glasman [ID100](#),
 G.R. Gledhill [ID124](#), M. Glisic [ID124](#), I. Gnesi [ID43b,f](#), Y. Go [ID29,ai](#), M. Goblirsch-Kolb [ID36](#), B. Gocke [ID49](#),
 D. Godin [ID109](#), B. Gokturk [ID21a](#), S. Goldfarb [ID106](#), T. Golling [ID56](#), M.G.D. Gololo [ID33g](#), D. Golubkov [ID37](#),
 J.P. Gombas [ID108](#), A. Gomes [ID131a,131b](#), G. Gomes Da Silva [ID142](#), A.J. Gomez Delegido [ID164](#),
 R. Gonçalves [ID131a,131c](#), G. Gonella [ID124](#), L. Gonella [ID20](#), A. Gongadze [ID38](#), F. Gonnella [ID20](#),
 J.L. Gonski [ID41](#), R.Y. González Andana [ID52](#), S. González de la Hoz [ID164](#), S. Gonzalez Fernandez [ID13](#),
 R. Gonzalez Lopez [ID93](#), C. Gonzalez Renteria [ID17a](#), R. Gonzalez Suarez [ID162](#), S. Gonzalez-Sevilla [ID56](#),
 G.R. Gonzalvo Rodriguez [ID164](#), L. Goossens [ID36](#), P.A. Gorbounov [ID37](#), B. Gorini [ID36](#), E. Gorini [ID70a,70b](#),
 A. Gorišek [ID94](#), T.C. Gosart [ID129](#), A.T. Goshaw [ID51](#), M.I. Gostkin [ID38](#), S. Goswami [ID122](#),
 C.A. Gottardo [ID36](#), M. Gouighri [ID35b](#), V. Goumarre [ID48](#), A.G. Goussiou [ID139](#), N. Govender [ID33c](#),
 I. Grabowska-Bold [ID86a](#), K. Graham [ID34](#), E. Gramstad [ID126](#), S. Grancagnolo [ID70a,70b](#), M. Grandi [ID147](#),
 V. Gratchev [ID37,*](#), P.M. Gravila [ID27f](#), F.G. Gravili [ID70a,70b](#), H.M. Gray [ID17a](#), M. Greco [ID70a,70b](#),
 C. Grefe [ID24](#), I.M. Gregor [ID48](#), P. Grenier [ID144](#), C. Grieco [ID13](#), A.A. Grillo [ID137](#), K. Grimm [ID31](#),
 S. Grinstein [ID13,t](#), J.-F. Grivaz [ID66](#), E. Gross [ID170](#), J. Grosse-Knetter [ID55](#), C. Grud [ID107](#), J.C. Grundy [ID127](#),
 L. Guan [ID107](#), W. Guan [ID29](#), C. Gubbels [ID165](#), J.G.R. Guerrero Rojas [ID164](#), G. Guerrieri [ID69a,69b](#),
 F. Guescini [ID111](#), R. Gugel [ID101](#), J.A.M. Guhit [ID107](#), A. Guida [ID18](#), T. Guillemin [ID4](#),

E. Guilloton [ID168,135](#), S. Guindon [ID36](#), F. Guo [ID14a,14e](#), J. Guo [ID62c](#), L. Guo [ID48](#), Y. Guo [ID107](#),
 R. Gupta [ID48](#), S. Gurbuz [ID24](#), S.S. Gurdasani [ID54](#), G. Gustavino [ID36](#), M. Guth [ID56](#), P. Gutierrez [ID121](#),
 L.F. Gutierrez Zagazeta [ID129](#), C. Gutschow [ID97](#), C. Gwenlan [ID127](#), C.B. Gwilliam [ID93](#),
 E.S. Haaland [ID126](#), A. Haas [ID118](#), M. Habedank [ID48](#), C. Haber [ID17a](#), H.K. Hadavand [ID8](#), A. Hadeif [ID101](#),
 S. Hadzic [ID111](#), J.J. Hahn [ID142](#), E.H. Haines [ID97](#), M. Haleem [ID167](#), J. Haley [ID122](#), J.J. Hall [ID140](#),
 G.D. Hallewell [ID103](#), L. Halser [ID19](#), K. Hamano [ID166](#), H. Hamdaoui [ID35e](#), M. Hamer [ID24](#),
 G.N. Hamity [ID52](#), E.J. Hampshire [ID96](#), J. Han [ID62b](#), K. Han [ID62a](#), L. Han [ID14c](#), L. Han [ID62a](#), S. Han [ID17a](#),
 Y.F. Han [ID156](#), K. Hanagaki [ID84](#), M. Hance [ID137](#), D.A. Hangal [ID41,ac](#), H. Hanif [ID143](#), M.D. Hank [ID129](#),
 R. Hankache [ID102](#), J.B. Hansen [ID42](#), J.D. Hansen [ID42](#), P.H. Hansen [ID42](#), K. Hara [ID158](#), D. Harada [ID56](#),
 T. Harenberg [ID172](#), S. Harkusha [ID37](#), M.L. Harris [ID104](#), Y.T. Harris [ID127](#), J. Harrison [ID13](#),
 N.M. Harrison [ID120](#), P.F. Harrison [ID168](#), N.M. Hartman [ID111](#), N.M. Hartmann [ID110](#), Y. Hasegawa [ID141](#),
 A. Hasib [ID52](#), S. Haug [ID19](#), R. Hauser [ID108](#), C.M. Hawkes [ID20](#), R.J. Hawkins [ID36](#), Y. Hayashi [ID154](#),
 S. Hayashida [ID112](#), D. Hayden [ID108](#), C. Hayes [ID107](#), R.L. Hayes [ID115](#), C.P. Hays [ID127](#), J.M. Hays [ID95](#),
 H.S. Hayward [ID93](#), F. He [ID62a](#), M. He [ID14a,14e](#), Y. He [ID155](#), Y. He [ID128](#), N.B. Heatley [ID95](#),
 V. Hedberg [ID99](#), A.L. Heggelund [ID126](#), N.D. Hehir [ID95](#), C. Heidegger [ID54](#), K.K. Heidegger [ID54](#),
 W.D. Heidorn [ID81](#), J. Heilman [ID34](#), S. Heim [ID48](#), T. Heim [ID17a](#), J.G. Heinlein [ID129](#), J.J. Heinrich [ID124](#),
 L. Heinrich [ID111,ae](#), J. Hejbal [ID132](#), L. Helary [ID48](#), A. Held [ID171](#), S. Hellesund [ID16](#), C.M. Helling [ID165](#),
 S. Hellman [ID47a,47b](#), C. Helsens [ID36](#), R.C.W. Henderson [ID92](#), L. Henkelmann [ID32](#),
 A.M. Henriques Correia [ID36](#), H. Herde [ID99](#), Y. Hernández Jiménez [ID146](#), L.M. Herrmann [ID24](#),
 T. Herrmann [ID50](#), G. Herten [ID54](#), R. Hertenberger [ID110](#), L. Hervas [ID36](#), M.E. Hespings [ID101](#),
 N.P. Hessey [ID157a](#), H. Hibi [ID85](#), S.J. Hillier [ID20](#), J.R. Hinds [ID108](#), F. Hinterkeuser [ID24](#), M. Hirose [ID125](#),
 S. Hirose [ID158](#), D. Hirschbuehl [ID172](#), T.G. Hitchings [ID102](#), B. Hiti [ID94](#), J. Hobbs [ID146](#), R. Hobincu [ID27e](#),
 N. Hod [ID170](#), M.C. Hodgkinson [ID140](#), B.H. Hodgkinson [ID32](#), A. Hoecker [ID36](#), J. Hofer [ID48](#), T. Holm [ID24](#),
 M. Holzbock [ID111](#), L.B.A.H. Hommels [ID32](#), B.P. Honan [ID102](#), J. Hong [ID62c](#), T.M. Hong [ID130](#),
 B.H. Hooberman [ID163](#), W.H. Hopkins [ID6](#), Y. Horii [ID112](#), S. Hou [ID149](#), A.S. Howard [ID94](#), J. Howarth [ID59](#),
 J. Hoya [ID6](#), M. Hrabovsky [ID123](#), A. Hrynevich [ID48](#), T. Hryn'ova [ID4](#), P.J. Hsu [ID65](#), S.-C. Hsu [ID139](#),
 Q. Hu [ID41](#), Y.F. Hu [ID14a,14e](#), S. Huang [ID64b](#), X. Huang [ID14c](#), Y. Huang [ID62a](#), Y. Huang [ID14a](#),
 Z. Huang [ID102](#), Z. Hubacek [ID133](#), M. Huebner [ID24](#), F. Huegging [ID24](#), T.B. Huffman [ID127](#), C.A. Hugli [ID48](#),
 M. Huhtinen [ID36](#), S.K. Huiberts [ID16](#), R. Hulsken [ID105](#), N. Huseynov [ID12,a](#), J. Huston [ID108](#), J. Huth [ID61](#),
 R. Hyneman [ID144](#), G. Iacobucci [ID56](#), G. Iakovidis [ID29](#), I. Ibragimov [ID142](#), L. Iconomidou-Fayard [ID66](#),
 P. Iengo [ID72a,72b](#), R. Iguchi [ID154](#), T. Iizawa [ID84](#), Y. Ikegami [ID84](#), N. Ilic [ID156](#), H. Imam [ID35a](#),
 M. Ince Lezki [ID56](#), T. Ingebretsen Carlson [ID47a,47b](#), G. Introzzi [ID73a,73b](#), M. Iodice [ID77a](#),
 V. Ippolito [ID75a,75b](#), R.K. Irwin [ID93](#), M. Ishino [ID154](#), W. Islam [ID171](#), C. Issever [ID18,48](#), S. Istin [ID21a,ak](#),
 H. Ito [ID169](#), J.M. Iturbe Ponce [ID64a](#), R. Iuppa [ID78a,78b](#), A. Ivina [ID170](#), J.M. Izen [ID45](#), V. Izzo [ID72a](#),
 P. Jacka [ID132,133](#), P. Jackson [ID1](#), R.M. Jacobs [ID48](#), B.P. Jaeger [ID143](#), C.S. Jagfeld [ID110](#), P. Jain [ID54](#),
 G. Jäkel [ID172](#), K. Jakobs [ID54](#), T. Jakoubek [ID170](#), J. Jamieson [ID59](#), K.W. Janas [ID86a](#), A.E. Jaspán [ID93](#),
 M. Javurkova [ID104](#), F. Jeanneau [ID136](#), L. Jeanty [ID124](#), J. Jejelava [ID150a,aa](#), P. Jenni [ID54,g](#),
 C.E. Jessiman [ID34](#), S. Jézéquel [ID4](#), C. Jia [ID62b](#), J. Jia [ID146](#), X. Jia [ID61](#), X. Jia [ID14a,14e](#), Z. Jia [ID14c](#),
 Y. Jiang [ID62a](#), S. Jiggins [ID48](#), J. Jimenez Pena [ID13](#), S. Jin [ID14c](#), A. Jinaru [ID27b](#), O. Jinnouchi [ID155](#),
 P. Johansson [ID140](#), K.A. Johns [ID7](#), J.W. Johnson [ID137](#), D.M. Jones [ID32](#), E. Jones [ID48](#), P. Jones [ID32](#),
 R.W.L. Jones [ID92](#), T.J. Jones [ID93](#), R. Joshi [ID120](#), J. Jovicevic [ID15](#), X. Ju [ID17a](#), J.J. Junggeburth [ID36](#),
 T. Junkermann [ID63a](#), A. Juste Rozas [ID13,t](#), M.K. Juzek [ID87](#), S. Kabana [ID138e](#), A. Kaczmariska [ID87](#),
 M. Kado [ID111](#), H. Kagan [ID120](#), M. Kagan [ID144](#), A. Kahn [ID41](#), A. Kahn [ID129](#), C. Kahra [ID101](#), T. Kaji [ID169](#),
 E. Kajomovitz [ID151](#), N. Kakati [ID170](#), I. Kalaitzidou [ID54](#), C.W. Kalderon [ID29](#), A. Kamenshchikov [ID156](#),
 S. Kanayama [ID155](#), N.J. Kang [ID137](#), D. Kar [ID33g](#), K. Karava [ID127](#), M.J. Kareem [ID157b](#), E. Karentzos [ID54](#),
 I. Karknias [ID153](#), O. Karkout [ID115](#), S.N. Karpov [ID38](#), Z.M. Karpova [ID38](#), V. Kartvelishvili [ID92](#),
 A.N. Karyukhin [ID37](#), E. Kasimi [ID153](#), J. Katzy [ID48](#), S. Kaur [ID34](#), K. Kawade [ID141](#), T. Kawamoto [ID136](#),

E.F. Kay [ID36](#), F.I. Kaya [ID159](#), S. Kazakos [ID108](#), V.F. Kazanin [ID37](#), Y. Ke [ID146](#), J.M. Keaveney [ID33a](#),
 R. Keeler [ID166](#), G.V. Kehris [ID61](#), J.S. Keller [ID34](#), A.S. Kelly⁹⁷, J.J. Kempster [ID147](#), K.E. Kennedy [ID41](#),
 P.D. Kennedy [ID101](#), O. Kepka [ID132](#), B.P. Kerridge [ID168](#), S. Kersten [ID172](#), B.P. Kerševan [ID94](#),
 S. Keshri [ID66](#), L. Keszeghova [ID28a](#), S. Ketabchi Haghghat [ID156](#), M. Khandoga [ID128](#), A. Khanov [ID122](#),
 A.G. Kharlamov [ID37](#), T. Kharlamova [ID37](#), E.E. Khoda [ID139](#), T.J. Khoo [ID18](#), G. Khoriauli [ID167](#),
 J. Khubua [ID150b](#), Y.A.R. Khwaira [ID66](#), M. Kiehn [ID36](#), A. Kilgallon [ID124](#), D.W. Kim [ID47a,47b](#),
 Y.K. Kim [ID39](#), N. Kimura [ID97](#), A. Kirchhoff [ID55](#), C. Kirfel [ID24](#), F. Kirfel [ID24](#), J. Kirk [ID135](#),
 A.E. Kiryunin [ID111](#), C. Kitsaki [ID10](#), O. Kivernyk [ID24](#), M. Klassen [ID63a](#), C. Klein [ID34](#), L. Klein [ID167](#),
 M.H. Klein [ID107](#), M. Klein [ID93](#), S.B. Klein [ID56](#), U. Klein [ID93](#), P. Klimek [ID36](#), A. Klimentov [ID29](#),
 T. Klioutchnikova [ID36](#), P. Kluit [ID115](#), S. Kluth [ID111](#), E. Kneringer [ID79](#), T.M. Knight [ID156](#), A. Knue [ID54](#),
 R. Kobayashi [ID88](#), S.F. Koch [ID127](#), M. Kocian [ID144](#), P. Kodyš [ID134](#), D.M. Koeck [ID124](#), P.T. Koenig [ID24](#),
 T. Koffas [ID34](#), M. Kolb [ID136](#), I. Koletsou [ID4](#), T. Komarek [ID123](#), K. Köneke [ID54](#), A.X.Y. Kong [ID1](#),
 T. Kono [ID119](#), N. Konstantinidis [ID97](#), B. Konya [ID99](#), R. Kopeliansky [ID68](#), S. Koperny [ID86a](#), K. Korcyl [ID87](#),
 K. Kordas [ID153,e](#), G. Koren [ID152](#), A. Korn [ID97](#), S. Korn [ID55](#), I. Korolkov [ID13](#), N. Korotkova [ID37](#),
 B. Kortman [ID115](#), O. Kortner [ID111](#), S. Kortner [ID111](#), W.H. Kostecka [ID116](#), V.V. Kostyukhin [ID142](#),
 A. Kotsokechagia [ID136](#), A. Kotwal [ID51](#), A. Koulouris [ID36](#), A. Kourkoumeli-Charalampidi [ID73a,73b](#),
 C. Kourkoumelis [ID9](#), E. Kourlitis [ID6](#), O. Kovanda [ID147](#), R. Kowalewski [ID166](#), W. Kozanecki [ID136](#),
 A.S. Kozhin [ID37](#), V.A. Kramarenko [ID37](#), G. Kramberger [ID94](#), P. Kramer [ID101](#), M.W. Krasny [ID128](#),
 A. Krasznahorkay [ID36](#), J.W. Kraus [ID172](#), J.A. Kremer [ID101](#), T. Kresse [ID50](#), J. Kretschmar [ID93](#),
 K. Kreul [ID18](#), P. Krieger [ID156](#), S. Krishnamurthy [ID104](#), M. Krivos [ID134](#), K. Krizka [ID20](#),
 K. Kroeninger [ID49](#), H. Kroha [ID111](#), J. Kroll [ID132](#), J. Kroll [ID129](#), K.S. Krowpman [ID108](#), U. Kruchonak [ID38](#),
 H. Krüger [ID24](#), N. Krumnack⁸¹, M.C. Kruse [ID51](#), J.A. Krzysiak [ID87](#), O. Kuchinskaia [ID37](#), S. Kuday [ID3a](#),
 S. Kuehn [ID36](#), R. Kuesters [ID54](#), T. Kuhl [ID48](#), V. Kukhtin [ID38](#), Y. Kulchitsky [ID37,a](#), S. Kuleshov [ID138d,138b](#),
 M. Kumar [ID33g](#), N. Kumari [ID103](#), A. Kupco [ID132](#), T. Kupfer⁴⁹, A. Kupich [ID37](#), O. Kuprash [ID54](#),
 H. Kurashige [ID85](#), L.L. Kurchaninov [ID157a](#), O. Kurdysh [ID66](#), Y.A. Kurochkin [ID37](#), A. Kurova [ID37](#),
 M. Kuze [ID155](#), A.K. Kvam [ID104](#), J. Kvita [ID123](#), T. Kwan [ID105](#), N.G. Kyriacou [ID107](#), L.A.O. Laatu [ID103](#),
 C. Lacasta [ID164](#), F. Lacava [ID75a,75b](#), H. Lacker [ID18](#), D. Lacour [ID128](#), N.N. Lad [ID97](#), E. Ladygin [ID38](#),
 B. Laforge [ID128](#), T. Lagouri [ID138e](#), S. Lai [ID55](#), I.K. Lakomic [ID86a](#), N. Lalloue [ID60](#), J.E. Lambert [ID166](#),
 S. Lammers [ID68](#), W. Lampl [ID7](#), C. Lampoudis [ID153,e](#), A.N. Lancaster [ID116](#), E. Lançon [ID29](#),
 U. Landgraf [ID54](#), M.P.J. Landon [ID95](#), V.S. Lang [ID54](#), R.J. Langenberg [ID104](#), O.K.B. Langrekken [ID126](#),
 A.J. Lankford [ID161](#), F. Lanni [ID36](#), K. Lantzsch [ID24](#), A. Lanza [ID73a](#), A. Lapertosa [ID57b,57a](#),
 J.F. Laporte [ID136](#), T. Lari [ID71a](#), F. Lasagni Manghi [ID23b](#), M. Lassnig [ID36](#), V. Latonova [ID132](#),
 A. Laudrain [ID101](#), A. Laurier [ID151](#), S.D. Lawlor [ID96](#), Z. Lawrence [ID102](#), M. Lazzaroni [ID71a,71b](#), B. Le¹⁰²,
 E.M. Le Boulicaut [ID51](#), B. Leban [ID94](#), A. Lebedev [ID81](#), M. LeBlanc [ID36](#), F. Ledroit-Guillon [ID60](#),
 A.C.A. Lee⁹⁷, S.C. Lee [ID149](#), S. Lee [ID47a,47b](#), T.F. Lee [ID93](#), L.L. Leeuw [ID33c](#), H.P. Lefebvre [ID96](#),
 M. Lefebvre [ID166](#), C. Leggett [ID17a](#), G. Lehmann Miotto [ID36](#), M. Leigh [ID56](#), W.A. Leight [ID104](#),
 W. Leinonen [ID114](#), A. Leisos [ID153,s](#), M.A.L. Leite [ID83c](#), C.E. Leitgeb [ID48](#), R. Leitner [ID134](#),
 K.J.C. Leney [ID44](#), T. Lenz [ID24](#), S. Leone [ID74a](#), C. Leonidopoulos [ID52](#), A. Leopold [ID145](#), C. Leroy [ID109](#),
 R. Les [ID108](#), C.G. Lester [ID32](#), M. Levchenko [ID37](#), J. Levêque [ID4](#), D. Levin [ID107](#), L.J. Levinson [ID170](#),
 M.P. Lewicki [ID87](#), D.J. Lewis [ID4](#), A. Li [ID5](#), B. Li [ID62b](#), C. Li [ID62a](#), C-Q. Li [ID62c](#), H. Li [ID62a](#), H. Li [ID62b](#),
 H. Li [ID14c](#), H. Li [ID62b](#), K. Li [ID139](#), L. Li [ID62c](#), M. Li [ID14a,14e](#), Q.Y. Li [ID62a](#), S. Li [ID14a,14e](#), S. Li [ID62d,62c,d](#),
 T. Li [ID5](#), X. Li [ID105](#), Z. Li [ID127](#), Z. Li [ID105](#), Z. Li [ID93](#), Z. Li [ID14a,14e](#), Z. Liang [ID14a](#), M. Liberatore [ID48](#),
 B. Liberti [ID76a](#), K. Lie [ID64c](#), J. Lieber Marin [ID83b](#), H. Lien [ID68](#), K. Lin [ID108](#), R.E. Lindley [ID7](#),
 J.H. Lindon [ID2](#), A. Linss [ID48](#), E. Lipeles [ID129](#), A. Lipniacka [ID16](#), A. Lister [ID165](#), J.D. Little [ID4](#),
 B. Liu [ID14a](#), B.X. Liu [ID143](#), D. Liu [ID62d,62c](#), J.B. Liu [ID62a](#), J.K.K. Liu [ID32](#), K. Liu [ID62d,62c](#), M. Liu [ID62a](#),
 M.Y. Liu [ID62a](#), P. Liu [ID14a](#), Q. Liu [ID62d,139,62c](#), X. Liu [ID62a](#), Y. Liu [ID14d,14e](#), Y.L. Liu [ID107](#), Y.W. Liu [ID62a](#),
 J. Llorente Merino [ID143](#), S.L. Lloyd [ID95](#), E.M. Lobodzinska [ID48](#), P. Loch [ID7](#), S. Loffredo [ID76a,76b](#),

T. Lohse ¹⁸, K. Lohwasser ¹⁴⁰, E. Loiacono ⁴⁸, M. Lokajicek ^{132,*}, J.D. Lomas ²⁰,
 J.D. Long ¹⁶³, I. Longarini ¹⁶¹, L. Longo ^{70a,70b}, R. Longo ¹⁶³, I. Lopez Paz ⁶⁷,
 A. Lopez Solis ⁴⁸, J. Lorenz ¹¹⁰, N. Lorenzo Martinez ⁴, A.M. Lory ¹¹⁰,
 G. Löschke Centeno ¹⁴⁷, O. Loseva ³⁷, X. Lou ^{47a,47b}, X. Lou ^{14a,14e}, A. Lounis ⁶⁶, J. Love ⁶,
 P.A. Love ⁹², G. Lu ^{14a,14e}, M. Lu ⁸⁰, S. Lu ¹²⁹, Y.J. Lu ⁶⁵, H.J. Lubatti ¹³⁹, C. Luci ^{75a,75b},
 F.L. Lucio Alves ^{14c}, A. Lucotte ⁶⁰, F. Luehring ⁶⁸, I. Luise ¹⁴⁶, O. Lukianchuk ⁶⁶,
 O. Lundberg ¹⁴⁵, B. Lund-Jensen ¹⁴⁵, N.A. Luongo ¹²⁴, M.S. Lutz ¹⁵², D. Lynn ²⁹, H. Lyons ⁹³,
 R. Lysak ¹³², E. Lytken ⁹⁹, V. Lyubushkin ³⁸, T. Lyubushkina ³⁸, M.M. Lyukova ¹⁴⁶, H. Ma ²⁹,
 K. Ma ^{62a}, L.L. Ma ^{62b}, Y. Ma ¹²², D.M. Mac Donell ¹⁶⁶, G. Maccarrone ⁵³, J.C. MacDonald ¹⁰¹,
 R. Madar ⁴⁰, W.F. Mader ⁵⁰, J. Maeda ⁸⁵, T. Maeno ²⁹, M. Maerker ⁵⁰, H. Maguire ¹⁴⁰,
 V. Maiboroda ¹³⁶, A. Maio ^{131a,131b,131d}, K. Maj ^{86a}, O. Majersky ⁴⁸, S. Majewski ¹²⁴,
 N. Makovec ⁶⁶, V. Maksimovic ¹⁵, B. Malaescu ¹²⁸, Pa. Malecki ⁸⁷, V.P. Maleev ³⁷,
 F. Malek ⁶⁰, M. Mali ⁹⁴, D. Malito ⁹⁶, U. Mallik ⁸⁰, S. Maltezos ¹⁰, S. Malyukov ³⁸, J. Mamuzic ¹³,
 G. Mancini ⁵³, G. Manco ^{73a,73b}, J.P. Mandalia ⁹⁵, I. Mandić ⁹⁴,
 L. Manhaes de Andrade Filho ^{83a}, I.M. Maniatis ¹⁷⁰, J. Manjarres Ramos ^{103,ab}, D.C. Mankad ¹⁷⁰,
 A. Mann ¹¹⁰, B. Mansoulie ¹³⁶, S. Manzoni ³⁶, A. Marantis ^{153,s}, G. Marchiori ⁵,
 M. Marcisovsky ¹³², C. Marcon ^{71a}, M. Marinescu ²⁰, M. Marjanovic ¹²¹, E.J. Marshall ⁹²,
 Z. Marshall ^{17a}, S. Marti-Garcia ¹⁶⁴, T.A. Martin ¹⁶⁸, V.J. Martin ⁵², B. Martin dit Latour ¹⁶,
 L. Martinelli ^{75a,75b}, M. Martinez ^{13,t}, P. Martinez Agullo ¹⁶⁴, V.I. Martinez Outschoorn ¹⁰⁴,
 P. Martinez Suarez ¹³, S. Martin-Haugh ¹³⁵, V.S. Martoiu ^{27b}, A.C. Martyniuk ⁹⁷, A. Marzin ³⁶,
 D. Mascione ^{78a,78b}, L. Masetti ¹⁰¹, T. Mashimo ¹⁵⁴, J. Masik ¹⁰², A.L. Maslennikov ³⁷,
 L. Massa ^{23b}, P. Massarotti ^{72a,72b}, P. Mastrandrea ^{74a,74b}, A. Mastroberardino ^{43b,43a},
 T. Masubuchi ¹⁵⁴, T. Mathisen ¹⁶², J. Matousek ¹³⁴, N. Matsuzawa ¹⁵⁴, J. Maurer ^{27b}, B. Maček ⁹⁴,
 D.A. Maximov ³⁷, R. Mazini ¹⁴⁹, I. Maznas ¹⁵³, M. Mazza ¹⁰⁸, S.M. Mazza ¹³⁷,
 E. Mazzeo ^{71a,71b}, C. Mc Ginn ²⁹, J.P. Mc Gowan ¹⁰⁵, S.P. Mc Kee ¹⁰⁷, E.F. McDonald ¹⁰⁶,
 A.E. McDougall ¹¹⁵, J.A. Mcfayden ¹⁴⁷, R.P. McGovern ¹²⁹, G. Mchedlidze ^{150b},
 R.P. McKenzie ^{33g}, T.C. Mclachlan ⁴⁸, D.J. Mclaughlin ⁹⁷, K.D. McLean ¹⁶⁶, S.J. McMahon ¹³⁵,
 P.C. McNamara ¹⁰⁶, C.M. Mcpartland ⁹³, R.A. McPherson ^{166,x}, S. Mehlhase ¹¹⁰, A. Mehta ⁹³,
 D. Melini ¹⁵¹, B.R. Mellado Garcia ^{33g}, A.H. Melo ⁵⁵, F. Meloni ⁴⁸,
 A.M. Mendes Jacques Da Costa ¹⁰², H.Y. Meng ¹⁵⁶, L. Meng ⁹², S. Menke ¹¹¹, M. Mentink ³⁶,
 E. Meoni ^{43b,43a}, C. Merlassino ¹²⁷, L. Merola ^{72a,72b}, C. Meroni ^{71a,71b}, G. Merz ¹⁰⁷,
 O. Meshkov ³⁷, J. Metcalfe ⁶, A.S. Mete ⁶, C. Meyer ⁶⁸, J-P. Meyer ¹³⁶, R.P. Middleton ¹³⁵,
 L. Mijović ⁵², G. Mikenberg ¹⁷⁰, M. Mikesikova ¹³², M. Mikuž ⁹⁴, H. Mildner ¹⁰¹, A. Milic ³⁶,
 C.D. Milke ⁴⁴, D.W. Miller ³⁹, L.S. Miller ³⁴, A. Milov ¹⁷⁰, D.A. Milstead ^{47a,47b}, T. Min ^{14c},
 A.A. Minaenko ³⁷, I.A. Minashvili ^{150b}, L. Mince ⁵⁹, A.I. Mincer ¹¹⁸, B. Mindur ^{86a},
 M. Mineev ³⁸, Y. Mino ⁸⁸, L.M. Mir ¹³, M. Miralles Lopez ¹⁶⁴, M. Mironova ^{17a}, A. Mishima ¹⁵⁴,
 M.C. Missio ¹¹⁴, T. Mitani ¹⁶⁹, A. Mitra ¹⁶⁸, V.A. Mitsou ¹⁶⁴, O. Miu ¹⁵⁶, P.S. Miyagawa ⁹⁵,
 Y. Miyazaki ⁹⁰, A. Mizukami ⁸⁴, T. Mkrtychyan ^{63a}, M. Mlinarevic ⁹⁷, T. Mlinarevic ⁹⁷,
 M. Mlynarikova ³⁶, S. Mobius ¹⁹, K. Mochizuki ¹⁰⁹, P. Moder ⁴⁸, P. Mogg ¹¹⁰,
 A.F. Mohammed ^{14a,14e}, S. Mohapatra ⁴¹, G. Mokgatitwane ^{33g}, L. Moleri ¹⁷⁰, B. Mondal ¹⁴²,
 S. Mondal ¹³³, K. Mönig ⁴⁸, E. Monnier ¹⁰³, L. Monsonis Romero ¹⁶⁴, J. Montejo Berlingen ^{13,84},
 M. Montella ¹²⁰, F. Montekali ^{77a,77b}, F. Monticelli ⁹¹, S. Monzani ^{69a,69c}, N. Morange ⁶⁶,
 A.L. Moreira De Carvalho ^{131a}, M. Moreno Llácer ¹⁶⁴, C. Moreno Martinez ⁵⁶, P. Morettini ^{57b},
 S. Morgenstern ³⁶, M. Morii ⁶¹, M. Morinaga ¹⁵⁴, A.K. Morley ³⁶, F. Morodei ^{75a,75b},
 L. Morvaj ³⁶, P. Moschovakos ³⁶, B. Moser ³⁶, M. Mosidze ^{150b}, T. Moskalets ⁵⁴,
 P. Moskvitina ¹¹⁴, J. Moss ^{31,m}, E.J.W. Moyse ¹⁰⁴, O. Mtintsilana ^{33g}, S. Muanza ¹⁰³,
 J. Mueller ¹³⁰, D. Muenstermann ⁹², R. Müller ¹⁹, G.A. Mullier ¹⁶², A.J. Mullin ³², J.J. Mullin ¹²⁹,

D.P. Mungo ¹⁵⁶, D. Munoz Perez ¹⁶⁴, F.J. Munoz Sanchez ¹⁰², M. Murin ¹⁰², W.J. Murray ^{168,135},
 A. Murrone ^{71a,71b}, J.M. Muse ¹²¹, M. Muškinja ^{17a}, C. Mwewa ²⁹, A.G. Myagkov ^{37,a},
 A.J. Myers ⁸, A.A. Myers ¹³⁰, G. Myers ⁶⁸, M. Myska ¹³³, B.P. Nachman ^{17a}, O. Nackenhorst ⁴⁹,
 A. Nag ⁵⁰, K. Nagai ¹²⁷, K. Nagano ⁸⁴, J.L. Nagle ^{29,ai}, E. Nagy ¹⁰³, A.M. Nairz ³⁶,
 Y. Nakahama ⁸⁴, K. Nakamura ⁸⁴, K. Nakkalil ⁵, H. Nanjo ¹²⁵, R. Narayan ⁴⁴,
 E.A. Narayanan ¹¹³, I. Naryshkin ³⁷, M. Naseri ³⁴, S. Nasri ¹⁶⁰, C. Nass ²⁴, G. Navarro ^{22a},
 J. Navarro-Gonzalez ¹⁶⁴, R. Nayak ¹⁵², A. Nayaz ¹⁸, P.Y. Nechaeva ³⁷, F. Nechansky ⁴⁸,
 L. Nedic ¹²⁷, T.J. Neep ²⁰, A. Negri ^{73a,73b}, M. Negrini ^{23b}, C. Nellist ¹¹⁵, C. Nelson ¹⁰⁵,
 K. Nelson ¹⁰⁷, S. Nemecek ¹³², M. Nessi ^{36,h}, M.S. Neubauer ¹⁶³, F. Neuhaus ¹⁰¹,
 J. Neundorff ⁴⁸, R. Newhouse ¹⁶⁵, P.R. Newman ²⁰, C.W. Ng ¹³⁰, Y.W.Y. Ng ⁴⁸, B. Ngair ^{35e},
 H.D.N. Nguyen ¹⁰⁹, R.B. Nickerson ¹²⁷, R. Nicolaidou ¹³⁶, J. Nielsen ¹³⁷, M. Niemeyer ⁵⁵,
 J. Niermann ^{55,36}, N. Nikiforou ³⁶, V. Nikolaenko ^{37,a}, I. Nikolic-Audit ¹²⁸, K. Nikolopoulos ²⁰,
 P. Nilsson ²⁹, I. Ninca ⁴⁸, H.R. Nindhito ⁵⁶, G. Ninio ¹⁵², A. Nisati ^{75a}, N. Nishu ²,
 R. Nisius ¹¹¹, J-E. Nitschke ⁵⁰, E.K. Nkadimeng ^{33g}, S.J. Noacco Rosende ⁹¹, T. Nobe ¹⁵⁴,
 D.L. Noel ³², T. Nommensen ¹⁴⁸, M.B. Norfolk ¹⁴⁰, R.R.B. Norisam ⁹⁷, B.J. Norman ³⁴,
 J. Novak ⁹⁴, T. Novak ⁴⁸, L. Novotny ¹³³, R. Novotny ¹¹³, L. Nozka ¹²³, K. Ntekas ¹⁶¹,
 N.M.J. Nunes De Moura Junior ^{83b}, E. Nurse ⁹⁷, J. Ocariz ¹²⁸, A. Ochi ⁸⁵, I. Ochoa ^{131a},
 S. Oerdek ¹⁶², J.T. Offermann ³⁹, A. Ogrodnik ¹³⁴, A. Oh ¹⁰², C.C. Ohm ¹⁴⁵, H. Oide ⁸⁴,
 R. Oishi ¹⁵⁴, M.L. Ojeda ⁴⁸, Y. Okazaki ⁸⁸, M.W. O'Keefe ⁹³, Y. Okumura ¹⁵⁴,
 L.F. Oleiro Seabra ^{131a}, S.A. Olivares Pino ^{138d}, D. Oliveira Damazio ²⁹, D. Oliveira Goncalves ^{83a},
 J.L. Oliver ¹⁶¹, A. Olszewski ⁸⁷, Ö.O. Öncel ⁵⁴, D.C. O'Neil ¹⁴³, A.P. O'Neill ¹⁹,
 A. Onofre ^{131a,131e}, P.U.E. Onyisi ¹¹, M.J. Oreglia ³⁹, G.E. Orellana ⁹¹, D. Orestano ^{77a,77b},
 N. Orlando ¹³, R.S. Orr ¹⁵⁶, V. O'Shea ⁵⁹, L.M. Osojnak ¹²⁹, R. Ospanov ^{62a},
 G. Otero y Garzon ³⁰, H. Otono ⁹⁰, P.S. Ott ^{63a}, G.J. Ottino ^{17a}, M. Ouchrif ^{35d}, J. Ouellette ²⁹,
 F. Ould-Saada ¹²⁶, M. Owen ⁵⁹, R.E. Owen ¹³⁵, K.Y. Oyulmaz ^{21a}, V.E. Ozcan ^{21a}, N. Ozturk ⁸,
 S. Ozturk ⁸², H.A. Pacey ³², A. Pacheco Pages ¹³, C. Padilla Aranda ¹³, G. Padovano ^{75a,75b},
 S. Pagan Griso ^{17a}, G. Palacino ⁶⁸, A. Palazzo ^{70a,70b}, S. Palestini ³⁶, J. Pan ¹⁷³, T. Pan ^{64a},
 D.K. Panchal ¹¹, C.E. Pandini ¹¹⁵, J.G. Panduro Vazquez ⁹⁶, H. Pang ^{14b}, P. Pani ⁴⁸,
 G. Panizzo ^{69a,69c}, L. Paolozzi ⁵⁶, C. Papadatos ¹⁰⁹, S. Parajuli ⁴⁴, A. Paramonov ⁶,
 C. Paraskevopoulos ¹⁰, D. Paredes Hernandez ^{64b}, T.H. Park ¹⁵⁶, M.A. Parker ³², F. Parodi ^{57b,57a},
 E.W. Parrish ¹¹⁶, V.A. Parrish ⁵², J.A. Parsons ⁴¹, U. Parzefall ⁵⁴, B. Pascual Dias ¹⁰⁹,
 L. Pascual Dominguez ¹⁵², F. Pasquali ¹¹⁵, E. Pasqualucci ^{75a}, S. Passaggio ^{57b}, F. Pastore ⁹⁶,
 P. Pasuwan ^{47a,47b}, P. Patel ⁸⁷, U.M. Patel ⁵¹, J.R. Pater ¹⁰², T. Pauly ³⁶, J. Pearkes ¹⁴⁴,
 M. Pedersen ¹²⁶, R. Pedro ^{131a}, S.V. Peleganchuk ³⁷, O. Penc ³⁶, E.A. Pender ⁵², H. Peng ^{62a},
 K.E. Pensi ¹¹⁰, M. Penzin ³⁷, B.S. Peralva ^{83d}, A.P. Pereira Peixoto ⁶⁰, L. Pereira Sanchez ^{47a,47b},
 D.V. Perepelitsa ^{29,ai}, E. Perez Codina ^{157a}, M. Perganti ¹⁰, L. Perini ^{71a,71b,*}, H. Pernegger ³⁶,
 A. Perrevoort ¹¹⁴, O. Perrin ⁴⁰, K. Peters ⁴⁸, R.F.Y. Peters ¹⁰², B.A. Petersen ³⁶,
 T.C. Petersen ⁴², E. Petit ¹⁰³, V. Petousis ¹³³, C. Petridou ^{153,e}, A. Petrukhin ¹⁴², M. Pettee ^{17a},
 N.E. Pettersson ³⁶, A. Petukhov ³⁷, K. Petukhova ¹³⁴, A. Peyaud ¹³⁶, R. Pezoa ^{138f},
 L. Pezzotti ³⁶, G. Pezzullo ¹⁷³, T.M. Pham ¹⁷¹, T. Pham ¹⁰⁶, P.W. Phillips ¹³⁵, G. Piacquadio ¹⁴⁶,
 E. Pianori ^{17a}, F. Piazza ^{71a,71b}, R. Piegai ³⁰, D. Pietreanu ^{27b}, A.D. Pilkington ¹⁰²,
 M. Pinamonti ^{69a,69c}, J.L. Pinfeld ², B.C. Pinheiro Pereira ^{131a}, A.E. Pinto Pinoargote ¹³⁶,
 K.M. Piper ¹⁴⁷, A. Pirttikoski ⁵⁶, C. Pitman Donaldson ⁹⁷, D.A. Pizzi ³⁴, L. Pizzimento ^{76a,76b},
 A. Pizzini ¹¹⁵, M.-A. Pleier ²⁹, V. Plesanovs ⁵⁴, V. Pleskot ¹³⁴, E. Plotnikova ³⁸, G. Poddar ⁴,
 R. Poettgen ⁹⁹, L. Poggioli ¹²⁸, I. Pokharel ⁵⁵, S. Polacek ¹³⁴, G. Polesello ^{73a}, A. Poley ^{143,157a},
 R. Polifka ¹³³, A. Polini ^{23b}, C.S. Pollard ¹⁶⁸, Z.B. Pollock ¹²⁰, V. Polychronakos ²⁹,
 E. Pompa Pacchi ^{75a,75b}, D. Ponomarenko ¹¹⁴, L. Pontecorvo ³⁶, S. Popa ^{27a}, G.A. Popeneciu ^{27d},

A. Poreba ³⁶, D.M. Portillo Quintero ^{157a}, S. Pospisil ¹³³, M.A. Postill ¹⁴⁰, P. Postolache ^{27c},
 K. Potamianos ¹⁶⁸, P.A. Potepa ^{86a}, I.N. Potrap ³⁸, C.J. Potter ³², H. Potti ¹, T. Poulsen ⁴⁸,
 J. Poveda ¹⁶⁴, M.E. Pozo Astigarraga ³⁶, A. Prades Ibanez ¹⁶⁴, J. Pretel ⁵⁴, D. Price ¹⁰²,
 M. Primavera ^{70a}, M.A. Principe Martin ¹⁰⁰, R. Privara ¹²³, T. Procter ⁵⁹, M.L. Proffitt ¹³⁹,
 N. Proklova ¹²⁹, K. Prokofiev ^{64c}, G. Proto ¹¹¹, S. Protopopescu ²⁹, J. Proudfoot ⁶,
 M. Przybycien ^{86a}, W.W. Przygoda ^{86b}, J.E. Puddefoot ¹⁴⁰, D. Pudzha ³⁷, D. Pyatiizbyantseva ³⁷,
 J. Qian ¹⁰⁷, D. Qichen ¹⁰², Y. Qin ¹⁰², T. Qiu ⁵², A. Quadt ⁵⁵, M. Queitsch-Maitland ¹⁰²,
 G. Quetant ⁵⁶, G. Rabanal Bolanos ⁶¹, D. Rafanoharana ⁵⁴, F. Ragusa ^{71a,71b}, J.L. Rainbolt ³⁹,
 J.A. Raine ⁵⁶, S. Rajagopalan ²⁹, E. Ramakoti ³⁷, K. Ran ^{48,14e}, N.P. Rapheeha ^{33g},
 H. Rasheed ^{27b}, V. Raskina ¹²⁸, D.F. Rassloff ^{63a}, S. Rave ¹⁰¹, B. Ravina ⁵⁵, I. Ravinovich ¹⁷⁰,
 M. Raymond ³⁶, A.L. Read ¹²⁶, N.P. Readioff ¹⁴⁰, D.M. Rebutti ^{73a,73b}, G. Redlinger ²⁹,
 A.S. Reed ¹¹¹, K. Reeves ²⁶, J.A. Reidelsturz ¹⁷², D. Reikher ¹⁵², A. Rej ¹⁴², C. Rembser ³⁶,
 A. Renardi ⁴⁸, M. Renda ^{27b}, M.B. Rendel ¹¹¹, F. Renner ⁴⁸, A.G. Rennie ⁵⁹, S. Resconi ^{71a},
 M. Ressegotti ^{57b,57a}, S. Rettie ³⁶, J.G. Reyes Rivera ¹⁰⁸, B. Reynolds ¹²⁰, E. Reynolds ^{17a},
 O.L. Rezanova ³⁷, P. Reznicek ¹³⁴, N. Ribaric ⁹², E. Ricci ^{78a,78b}, R. Richter ¹¹¹,
 S. Richter ^{47a,47b}, E. Richter-Was ^{86b}, M. Ridel ¹²⁸, S. Ridouani ^{35d}, P. Rieck ¹¹⁸, P. Riedler ³⁶,
 M. Rijssenbeek ¹⁴⁶, A. Rimoldi ^{73a,73b}, M. Rimoldi ⁴⁸, L. Rinaldi ^{23b,23a}, T.T. Rinn ²⁹,
 M.P. Rinnagel ¹¹⁰, G. Ripellino ¹⁶², I. Riu ¹³, P. Rivadeneira ⁴⁸, J.C. Rivera Vergara ¹⁶⁶,
 F. Rizatdinova ¹²², E. Rizvi ⁹⁵, B.A. Roberts ¹⁶⁸, B.R. Roberts ^{17a}, S.H. Robertson ^{105,x},
 M. Robin ⁴⁸, D. Robinson ³², C.M. Robles Gajardo ^{138f}, M. Robles Manzano ¹⁰¹, A. Robson ⁵⁹,
 A. Rocchi ^{76a,76b}, C. Roda ^{74a,74b}, S. Rodriguez Bosca ^{63a}, Y. Rodriguez Garcia ^{22a},
 A. Rodriguez Rodriguez ⁵⁴, A.M. Rodríguez Vera ^{157b}, S. Roe ³⁶, J.T. Roemer ¹⁶¹,
 A.R. Roepe-Gier ¹³⁷, J. Roggel ¹⁷², O. Røhne ¹²⁶, R.A. Rojas ¹⁰⁴, C.P.A. Roland ⁶⁸, J. Roloff ²⁹,
 A. Romaniouk ³⁷, E. Romano ^{73a,73b}, M. Romano ^{23b}, A.C. Romero Hernandez ¹⁶³,
 N. Rompotis ⁹³, L. Roos ¹²⁸, S. Rosati ^{75a}, B.J. Rosser ³⁹, E. Rossi ¹²⁷, E. Rossi ^{72a,72b},
 L.P. Rossi ^{57b}, L. Rossini ⁴⁸, R. Rosten ¹²⁰, M. Rotaru ^{27b}, B. Rottler ⁵⁴, C. Rougier ^{103,ab},
 D. Rousseau ⁶⁶, D. Rousso ³², A. Roy ¹⁶³, S. Roy-Garand ¹⁵⁶, A. Rozanov ¹⁰³, Y. Rozen ¹⁵¹,
 X. Ruan ^{33g}, A. Rubio Jimenez ¹⁶⁴, A.J. Ruby ⁹³, V.H. Ruelas Rivera ¹⁸, T.A. Ruggeri ¹,
 A. Ruggiero ¹²⁷, A. Ruiz-Martinez ¹⁶⁴, A. Rummler ³⁶, Z. Rurikova ⁵⁴, N.A. Rusakovich ³⁸,
 H.L. Russell ¹⁶⁶, G. Russo ^{75a,75b}, J.P. Rutherford ⁷, S. Rutherford Colmenares ³², K. Rybacki ⁹²,
 M. Rybar ¹³⁴, E.B. Rye ¹²⁶, A. Ryzhov ⁴⁴, J.A. Sabater Iglesias ⁵⁶, P. Sabatini ¹⁶⁴,
 L. Sabetta ^{75a,75b}, H.F-W. Sadrozinski ¹³⁷, F. Safai Tehrani ^{75a}, B. Safarzadeh Samani ¹⁴⁷,
 M. Safdari ¹⁴⁴, S. Saha ¹⁶⁶, M. Sahinsoy ¹¹¹, M. Saimpert ¹³⁶, M. Saito ¹⁵⁴, T. Saito ¹⁵⁴,
 D. Salamani ³⁶, A. Salmikov ¹⁴⁴, J. Salt ¹⁶⁴, A. Salvador Salas ¹³, D. Salvatore ^{43b,43a},
 F. Salvatore ¹⁴⁷, A. Salzburger ³⁶, D. Sammel ⁵⁴, D. Sampsonidis ^{153,e}, D. Sampsonidou ¹²⁴,
 J. Sánchez ¹⁶⁴, A. Sanchez Pineda ⁴, V. Sanchez Sebastian ¹⁶⁴, H. Sandaker ¹²⁶, C.O. Sander ⁴⁸,
 J.A. Sandesara ¹⁰⁴, M. Sandhoff ¹⁷², C. Sandoval ^{22b}, D.P.C. Sankey ¹³⁵, T. Sano ⁸⁸,
 A. Sansoni ⁵³, L. Santi ^{75a,75b}, C. Santoni ⁴⁰, H. Santos ^{131a,131b}, S.N. Santpur ^{17a}, A. Santra ¹⁷⁰,
 K.A. Saoucha ¹⁴⁰, J.G. Saraiva ^{131a,131d}, J. Sardain ⁷, O. Sasaki ⁸⁴, K. Sato ¹⁵⁸, C. Sauer ^{63b},
 F. Sauerburger ⁵⁴, E. Sauvan ⁴, P. Savard ^{156,ag}, R. Sawada ¹⁵⁴, C. Sawyer ¹³⁵, L. Sawyer ⁹⁸,
 I. Sayago Galvan ¹⁶⁴, C. Sbarra ^{23b}, A. Sbrizzi ^{23b,23a}, T. Scanlon ⁹⁷, J. Schaarschmidt ¹³⁹,
 P. Schacht ¹¹¹, D. Schaefer ³⁹, U. Schäfer ¹⁰¹, A.C. Schaffer ^{66,44}, D. Schaile ¹¹⁰,
 R.D. Schamberger ¹⁴⁶, C. Scharf ¹⁸, M.M. Schefer ¹⁹, V.A. Schegelsky ³⁷, D. Scheirich ¹³⁴,
 F. Schenck ¹⁸, M. Schernau ¹⁶¹, C. Scheulen ⁵⁵, C. Schiavi ^{57b,57a}, E.J. Schioppa ^{70a,70b},
 M. Schioppa ^{43b,43a}, B. Schlag ^{144,o}, K.E. Schleicher ⁵⁴, S. Schlenker ³⁶, J. Schmeing ¹⁷²,
 M.A. Schmidt ¹⁷², K. Schmieden ¹⁰¹, C. Schmitt ¹⁰¹, S. Schmitt ⁴⁸, L. Schoeffel ¹³⁶,
 A. Schoening ^{63b}, P.G. Scholer ⁵⁴, E. Schopf ¹²⁷, M. Schott ¹⁰¹, J. Schovancova ³⁶,

S. Schramm ⁵⁶, F. Schroeder ¹⁷², T. Schroer ⁵⁶, H-C. Schultz-Coulon ^{63a}, M. Schumacher ⁵⁴,
 B.A. Schumm ¹³⁷, Ph. Schune ¹³⁶, A.J. Schuy ¹³⁹, H.R. Schwartz ¹³⁷, A. Schwartzman ¹⁴⁴,
 T.A. Schwarz ¹⁰⁷, Ph. Schwemling ¹³⁶, R. Schwienhorst ¹⁰⁸, A. Sciandra ¹³⁷, G. Sciolla ²⁶,
 F. Scuri ^{74a}, C.D. Sebastiani ⁹³, K. Sedlaczek ¹¹⁶, P. Seema ¹⁸, S.C. Seidel ¹¹³, A. Seiden ¹³⁷,
 B.D. Seidlitz ⁴¹, C. Seitz ⁴⁸, J.M. Seixas ^{83b}, G. Sekhniaidze ^{72a}, S.J. Sekula ⁴⁴, L. Selem ⁶⁰,
 N. Semprini-Cesari ^{23b,23a}, D. Sengupta ⁵⁶, V. Senthilkumar ¹⁶⁴, L. Serin ⁶⁶, L. Serkin ^{69a,69b},
 M. Sessa ^{76a,76b}, H. Severini ¹²¹, F. Sforza ^{57b,57a}, A. Sfyrla ⁵⁶, E. Shabalina ⁵⁵, R. Shaheen ¹⁴⁵,
 J.D. Shahinian ¹²⁹, D. Shaked Renous ¹⁷⁰, L.Y. Shan ^{14a}, M. Shapiro ^{17a}, A. Sharma ³⁶,
 A.S. Sharma ¹⁶⁵, P. Sharma ⁸⁰, S. Sharma ⁴⁸, P.B. Shatalov ³⁷, K. Shaw ¹⁴⁷, S.M. Shaw ¹⁰²,
 A. Shcherbakova ³⁷, Q. Shen ^{62c,5}, P. Sherwood ⁹⁷, L. Shi ⁹⁷, X. Shi ^{14a}, C.O. Shimmin ¹⁷³,
 Y. Shimogama ¹⁶⁹, J.D. Shinner ⁹⁶, I.P.J. Shipsey ¹²⁷, S. Shirabe ^{56,h}, M. Shiyakova ^{38,v},
 J. Shlomi ¹⁷⁰, M.J. Shochet ³⁹, J. Shojaii ¹⁰⁶, D.R. Shope ¹²⁶, B. Shrestha ¹²¹, S. Shrestha ^{120,aj},
 E.M. Shrif ^{33g}, M.J. Shroff ¹⁶⁶, P. Sicho ¹³², A.M. Sickles ¹⁶³, E. Sideras Haddad ^{33g},
 A. Sidoti ^{23b}, F. Siegert ⁵⁰, Dj. Sijacki ¹⁵, R. Sikora ^{86a}, F. Sili ⁹¹, J.M. Silva ²⁰,
 M.V. Silva Oliveira ²⁹, S.B. Silverstein ^{47a}, S. Simion ⁶⁶, R. Simoniello ³⁶, E.L. Simpson ⁵⁹,
 H. Simpson ¹⁴⁷, L.R. Simpson ¹⁰⁷, N.D. Simpson ⁹⁹, S. Simsek ⁸², S. Sindhu ⁵⁵, P. Sinervo ¹⁵⁶,
 S. Singh ¹⁵⁶, S. Sinha ⁴⁸, S. Sinha ¹⁰², M. Sioli ^{23b,23a}, I. Siral ³⁶, E. Sitnikova ⁴⁸,
 S.Yu. Sivoklov ^{37,*}, J. Sjölin ^{47a,47b}, A. Skaf ⁵⁵, E. Skorda ⁹⁹, P. Skubic ¹²¹, M. Slawinska ⁸⁷,
 V. Smakhtin ¹⁷⁰, B.H. Smart ¹³⁵, J. Smiesko ³⁶, S.Yu. Smirnov ³⁷, Y. Smirnov ³⁷,
 L.N. Smirnova ^{37,a}, O. Smirnova ⁹⁹, A.C. Smith ⁴¹, E.A. Smith ³⁹, H.A. Smith ¹²⁷,
 J.L. Smith ⁹³, R. Smith ¹⁴⁴, M. Smizanska ⁹², K. Smolek ¹³³, A.A. Snesarev ³⁷, S.R. Snider ¹⁵⁶,
 H.L. Snoek ¹¹⁵, S. Snyder ²⁹, R. Sobie ^{166,x}, A. Soffer ¹⁵², C.A. Solans Sanchez ³⁶,
 E.Yu. Soldatov ³⁷, U. Soldevila ¹⁶⁴, A.A. Solodkov ³⁷, S. Solomon ²⁶, A. Soloshenko ³⁸,
 K. Solovieva ⁵⁴, O.V. Solovyanov ⁴⁰, V. Solovyev ³⁷, P. Sommer ³⁶, A. Sonay ¹³,
 W.Y. Song ^{157b}, J.M. Sonneveld ¹¹⁵, A. Sopczak ¹³³, A.L. Soppio ⁹⁷, F. Sopkova ^{28b},
 V. Sothilingam ^{63a}, S. Sottocornola ⁶⁸, R. Soualah ^{117b}, Z. Soumami ^{35e}, D. South ⁴⁸,
 S. Spagnolo ^{70a,70b}, M. Spalla ¹¹¹, D. Sperlich ⁵⁴, G. Spigo ³⁶, M. Spina ¹⁴⁷, S. Spinali ⁹²,
 D.P. Spiteri ⁵⁹, M. Spousta ¹³⁴, E.J. Staats ³⁴, A. Stabile ^{71a,71b}, R. Stamen ^{63a},
 M. Stamenkovic ¹¹⁵, A. Stampekis ²⁰, M. Standke ²⁴, E. Stanecka ⁸⁷, M.V. Stange ⁵⁰,
 B. Stanislaus ^{17a}, M.M. Stanitzki ⁴⁸, B. Stapf ⁴⁸, E.A. Starchenko ³⁷, G.H. Stark ¹³⁷,
 J. Stark ^{103,ab}, D.M. Starko ^{157b}, P. Staroba ¹³², S. Stärz ¹⁰⁵, R. Staszewski ⁸⁷, G. Stavropoulos ⁴⁶,
 J. Steentoft ¹⁶², P. Steinberg ²⁹, B. Stelzer ^{143,157a}, H.J. Stelzer ¹³⁰, O. Stelzer-Chilton ^{157a},
 H. Stenzel ⁵⁸, T.J. Stevenson ¹⁴⁷, G.A. Stewart ³⁶, J.R. Stewart ¹²², M.C. Stockton ³⁶,
 G. Stoicea ^{27b}, M. Stolarski ^{131a}, S. Stonjek ¹¹¹, A. Straessner ⁵⁰, J. Strandberg ¹⁴⁵,
 S. Strandberg ^{47a,47b}, M. Strauss ¹²¹, T. Strebler ¹⁰³, P. Strizenec ^{28b}, R. Ströhmer ¹⁶⁷,
 D.M. Strom ¹²⁴, L.R. Strom ⁴⁸, R. Stroynowski ⁴⁴, A. Strubig ^{47a,47b}, S.A. Stucci ²⁹,
 B. Stugu ¹⁶, J. Stupak ¹²¹, N.A. Styles ⁴⁸, D. Su ¹⁴⁴, S. Su ^{62a}, W. Su ^{62d}, X. Su ^{62a,66},
 K. Sugizaki ¹⁵⁴, V.V. Sulin ³⁷, M.J. Sullivan ⁹³, D.M.S. Sultan ^{78a,78b}, L. Sultanaliev ³⁷,
 S. Sultansoy ^{3b}, T. Sumida ⁸⁸, S. Sun ¹⁰⁷, S. Sun ¹⁷¹, O. Sunneborn Gudnadottir ¹⁶², N. Sur ¹⁰³,
 M.R. Sutton ¹⁴⁷, H. Suzuki ¹⁵⁸, M. Svatos ¹³², M. Swiatlowski ^{157a}, T. Swirski ¹⁶⁷,
 I. Sykora ^{28a}, M. Sykora ¹³⁴, T. Sykora ¹³⁴, D. Ta ¹⁰¹, K. Tackmann ^{48,u}, A. Taffard ¹⁶¹,
 R. Tafirout ^{157a}, J.S. Tafoya Vargas ⁶⁶, R. Takashima ⁸⁹, E.P. Takeva ⁵², Y. Takubo ⁸⁴,
 M. Talby ¹⁰³, A.A. Talyshev ³⁷, K.C. Tam ^{64b}, N.M. Tamir ¹⁵², A. Tanaka ¹⁵⁴, J. Tanaka ¹⁵⁴,
 R. Tanaka ⁶⁶, M. Tanasini ^{57b,57a}, Z. Tao ¹⁶⁵, S. Tapia Araya ^{138f}, S. Tapprogge ¹⁰¹,
 A. Tarek Abouelfadl Mohamed ¹⁰⁸, S. Tarem ¹⁵¹, K. Tariq ^{14a}, G. Tarna ^{103,27b}, G.F. Tartarelli ^{71a},
 P. Tas ¹³⁴, M. Tasevsky ¹³², E. Tassi ^{43b,43a}, A.C. Tate ¹⁶³, G. Tateno ¹⁵⁴, Y. Tayalati ^{35e,w},
 G.N. Taylor ¹⁰⁶, W. Taylor ^{157b}, H. Teagle ⁹³, A.S. Tee ¹⁷¹, R. Teixeira De Lima ¹⁴⁴,

P. Teixeira-Dias ^{id}⁹⁶, J.J. Teoh ^{id}¹⁵⁶, K. Terashi ^{id}¹⁵⁴, J. Terron ^{id}¹⁰⁰, S. Terzo ^{id}¹³, M. Testa ^{id}⁵³,
 R.J. Teuscher ^{id}^{156,x}, A. Thaler ^{id}⁷⁹, O. Theiner ^{id}⁵⁶, N. Themistokleous ^{id}⁵², T. Thevenaux-Pelzer ^{id}¹⁰³,
 O. Thielmann ^{id}¹⁷², D.W. Thomas ⁹⁶, J.P. Thomas ^{id}²⁰, E.A. Thompson ^{id}^{17a}, P.D. Thompson ^{id}²⁰,
 E. Thomson ^{id}¹²⁹, Y. Tian ^{id}⁵⁵, V. Tikhomirov ^{id}^{37,a}, Yu.A. Tikhonov ^{id}³⁷, S. Timoshenko ³⁷,
 D. Timoshyn ^{id}¹³⁴, E.X.L. Ting ^{id}¹, P. Tipton ^{id}¹⁷³, S.H. Tlou ^{id}^{33g}, A. Tnourji ^{id}⁴⁰, K. Todome ^{id}^{23b,23a},
 S. Todorova-Nova ^{id}¹³⁴, S. Todt ⁵⁰, M. Togawa ^{id}⁸⁴, J. Tojo ^{id}⁹⁰, S. Tokár ^{id}^{28a}, K. Tokushuku ^{id}⁸⁴,
 O. Toldaiev ^{id}⁶⁸, R. Tombs ^{id}³², M. Tomoto ^{id}^{84,112}, L. Tompkins ^{id}^{144,o}, K.W. Topolnicki ^{id}^{86b},
 E. Torrence ^{id}¹²⁴, H. Torres ^{id}^{103,ab}, E. Torró Pastor ^{id}¹⁶⁴, M. Toscani ^{id}³⁰, C. Tosciri ^{id}³⁹, M. Tost ^{id}¹¹,
 D.R. Tovey ^{id}¹⁴⁰, A. Traet ¹⁶, I.S. Trandafir ^{id}^{27b}, T. Trefzger ^{id}¹⁶⁷, A. Tricoli ^{id}²⁹, I.M. Trigger ^{id}^{157a},
 S. Trincaz-Duvoid ^{id}¹²⁸, D.A. Trischuk ^{id}²⁶, B. Trocmé ^{id}⁶⁰, C. Troncon ^{id}^{71a}, L. Truong ^{id}^{33c},
 M. Trzebinski ^{id}⁸⁷, A. Trzupsek ^{id}⁸⁷, F. Tsai ^{id}¹⁴⁶, M. Tsai ^{id}¹⁰⁷, A. Tsiamis ^{id}^{153,e}, P.V. Tsiareshka ³⁷,
 S. Tsigaridas ^{id}^{157a}, A. Tsirigotis ^{id}^{153,s}, V. Tsiskaridze ^{id}¹⁵⁶, E.G. Tskhadadze ^{id}^{150a},
 M. Tsopoulou ^{id}^{153,e}, Y. Tsujikawa ^{id}⁸⁸, I.I. Tsukerman ^{id}³⁷, V. Tsulaia ^{id}^{17a}, S. Tsuno ^{id}⁸⁴, O. Tsur ¹⁵¹,
 K. Tsurii ^{id}¹¹⁹, D. Tsybychev ^{id}¹⁴⁶, Y. Tu ^{id}^{64b}, A. Tudorache ^{id}^{27b}, V. Tudorache ^{id}^{27b}, A.N. Tuna ^{id}³⁶,
 S. Turchikhin ^{id}³⁸, I. Turk Cakir ^{id}^{3a}, R. Turra ^{id}^{71a}, T. Turtuvshin ^{id}^{38,y}, P.M. Tuts ^{id}⁴¹,
 S. Tzamarias ^{id}^{153,e}, P. Tzanis ^{id}¹⁰, E. Tzovara ^{id}¹⁰¹, K. Uchida ¹⁵⁴, F. Ukegawa ^{id}¹⁵⁸,
 P.A. Ulloa Poblete ^{id}^{138c,138b}, E.N. Umaka ^{id}²⁹, G. Unal ^{id}³⁶, M. Unal ^{id}¹¹, A. Undrus ^{id}²⁹, G. Unel ^{id}¹⁶¹,
 J. Urban ^{id}^{28b}, P. Urquijo ^{id}¹⁰⁶, G. Usai ^{id}⁸, R. Ushioda ^{id}¹⁵⁵, M. Usman ^{id}¹⁰⁹, Z. Uysal ^{id}^{21b},
 L. Vacavant ^{id}¹⁰³, V. Vacek ^{id}¹³³, B. Vachon ^{id}¹⁰⁵, K.O.H. Vadla ^{id}¹²⁶, T. Vafeiadis ^{id}³⁶, A. Vaitkus ^{id}⁹⁷,
 C. Valderanis ^{id}¹¹⁰, E. Valdes Santurio ^{id}^{47a,47b}, M. Valente ^{id}^{157a}, S. Valentinetti ^{id}^{23b,23a}, A. Valero ^{id}¹⁶⁴,
 E. Valiente Moreno ^{id}¹⁶⁴, A. Vallier ^{id}^{103,ab}, J.A. Valls Ferrer ^{id}¹⁶⁴, D.R. Van Arneeman ^{id}¹¹⁵,
 T.R. Van Daalen ^{id}¹³⁹, A. Van Der Graaf ^{id}⁴⁹, P. Van Gemmeren ^{id}⁶, M. Van Rijnbach ^{id}^{126,36},
 S. Van Stroud ^{id}⁹⁷, I. Van Vulpen ^{id}¹¹⁵, M. Vanadia ^{id}^{76a,76b}, W. Vandelli ^{id}³⁶, M. Vandenbroucke ^{id}¹³⁶,
 E.R. Vandewall ^{id}¹²², D. Vannicola ^{id}¹⁵², L. Vannoli ^{id}^{57b,57a}, R. Vari ^{id}^{75a}, E.W. Varnes ^{id}⁷,
 C. Varni ^{id}^{17a}, T. Varol ^{id}¹⁴⁹, D. Varouchas ^{id}⁶⁶, L. Varriale ^{id}¹⁶⁴, K.E. Varvell ^{id}¹⁴⁸, M.E. Vasile ^{id}^{27b},
 L. Vaslin ⁴⁰, G.A. Vasquez ^{id}¹⁶⁶, F. Vazeille ^{id}⁴⁰, T. Vazquez Schroeder ^{id}³⁶, J. Veatch ^{id}³¹,
 V. Vecchio ^{id}¹⁰², M.J. Veen ^{id}¹⁰⁴, I. Veliscek ^{id}¹²⁷, L.M. Veloce ^{id}¹⁵⁶, F. Veloso ^{id}^{131a,131c},
 S. Veneziano ^{id}^{75a}, A. Ventura ^{id}^{70a,70b}, A. Verbytskyi ^{id}¹¹¹, M. Verducci ^{id}^{74a,74b}, C. Vergis ^{id}²⁴,
 M. Verissimo De Araujo ^{id}^{83b}, W. Verkerke ^{id}¹¹⁵, J.C. Vermeulen ^{id}¹¹⁵, C. Vernieri ^{id}¹⁴⁴,
 P.J. Verschuuren ^{id}⁹⁶, M. Vessella ^{id}¹⁰⁴, M.C. Vetterli ^{id}^{143,ag}, A. Vgenopoulos ^{id}^{153,e},
 N. Viaux Maira ^{id}^{138f}, T. Vickey ^{id}¹⁴⁰, O.E. Vickey Boeriu ^{id}¹⁴⁰, G.H.A. Viehhauser ^{id}¹²⁷, L. Vignani ^{id}^{63b},
 M. Villa ^{id}^{23b,23a}, M. Villaplana Perez ^{id}¹⁶⁴, E.M. Villhauer ⁵², E. Vilucchi ^{id}⁵³, M.G. Vincter ^{id}³⁴,
 G.S. Virdee ^{id}²⁰, A. Vishwakarma ^{id}⁵², A. Visibile ¹¹⁵, C. Vittori ^{id}³⁶, I. Vivarelli ^{id}¹⁴⁷, V. Vladimirov ¹⁶⁸,
 E. Voevodina ^{id}¹¹¹, F. Vogel ^{id}¹¹⁰, P. Vokac ^{id}¹³³, J. Von Ahnen ^{id}⁴⁸, E. Von Toerne ^{id}²⁴,
 B. Vormwald ^{id}³⁶, V. Vorobel ^{id}¹³⁴, K. Vorobev ^{id}³⁷, M. Vos ^{id}¹⁶⁴, K. Voss ^{id}¹⁴², J.H. Vossebeld ^{id}⁹³,
 M. Vozak ^{id}¹¹⁵, L. Vozdecky ^{id}⁹⁵, N. Vranjes ^{id}¹⁵, M. Vranjes Milosavljevic ^{id}¹⁵, M. Vreeswijk ^{id}¹¹⁵,
 R. Vuillermet ^{id}³⁶, O. Vujinovic ^{id}¹⁰¹, I. Vukotic ^{id}³⁹, S. Wada ^{id}¹⁵⁸, C. Wagner ¹⁰⁴, J.M. Wagner ^{id}^{17a},
 W. Wagner ^{id}¹⁷², S. Wahdan ^{id}¹⁷², H. Wahlberg ^{id}⁹¹, R. Wakasa ^{id}¹⁵⁸, M. Wakida ^{id}¹¹², J. Walder ^{id}¹³⁵,
 R. Walker ^{id}¹¹⁰, W. Walkowiak ^{id}¹⁴², A. Wall ^{id}¹²⁹, T. Wamorkar ^{id}⁶, A.Z. Wang ^{id}¹⁷¹, C. Wang ^{id}¹⁰¹,
 C. Wang ^{id}^{62c}, H. Wang ^{id}^{17a}, J. Wang ^{id}^{64a}, R.-J. Wang ^{id}¹⁰¹, R. Wang ^{id}⁶¹, R. Wang ^{id}⁶,
 S.M. Wang ^{id}¹⁴⁹, S. Wang ^{id}^{62b}, T. Wang ^{id}^{62a}, W.T. Wang ^{id}⁸⁰, W. Wang ^{id}^{14a}, X. Wang ^{id}^{14c},
 X. Wang ^{id}¹⁶³, X. Wang ^{id}^{62c}, Y. Wang ^{id}^{62d}, Y. Wang ^{id}^{14c}, Z. Wang ^{id}¹⁰⁷, Z. Wang ^{id}^{62d,51,62c},
 Z. Wang ^{id}¹⁰⁷, A. Warburton ^{id}¹⁰⁵, R.J. Ward ^{id}²⁰, N. Warrack ^{id}⁵⁹, A.T. Watson ^{id}²⁰, H. Watson ^{id}⁵⁹,
 M.F. Watson ^{id}²⁰, E. Watton ^{id}^{59,135}, G. Watts ^{id}¹³⁹, B.M. Waugh ^{id}⁹⁷, C. Weber ^{id}²⁹, H.A. Weber ^{id}¹⁸,
 M.S. Weber ^{id}¹⁹, S.M. Weber ^{id}^{63a}, C. Wei ^{id}^{62a}, Y. Wei ^{id}¹²⁷, A.R. Weidberg ^{id}¹²⁷, E.J. Weik ^{id}¹¹⁸,
 J. Weingarten ^{id}⁴⁹, M. Weirich ^{id}¹⁰¹, C. Weiser ^{id}⁵⁴, C.J. Wells ^{id}⁴⁸, T. Wenaus ^{id}²⁹, B. Wendland ^{id}⁴⁹,
 T. Wengler ^{id}³⁶, N.S. Wenke ¹¹¹, N. Wermes ^{id}²⁴, M. Wessels ^{id}^{63a}, K. Whalen ^{id}¹²⁴, A.M. Wharton ^{id}⁹²,

A.S. White ⁶¹, A. White ⁸, M.J. White ¹, D. Whiteson ¹⁶¹, L. Wickremasinghe ¹²⁵, W. Wiedenmann ¹⁷¹, C. Wiel ⁵⁰, M. Wielers ¹³⁵, C. Wiglesworth ⁴², D.J. Wilbern ¹²¹, H.G. Wilkens ³⁶, D.M. Williams ⁴¹, H.H. Williams ¹²⁹, S. Williams ³², S. Willocq ¹⁰⁴, B.J. Wilson ¹⁰², P.J. Windischhofer ³⁹, F.I. Winkel ³⁰, F. Winklmeier ¹²⁴, B.T. Winter ⁵⁴, J.K. Winter ¹⁰², M. Wittgen ¹⁴⁴, M. Wobisch ⁹⁸, Z. Wolfs ¹¹⁵, R. Wölker ¹²⁷, J. Wollrath ¹⁶¹, M.W. Wolter ⁸⁷, H. Wolters ^{131a,131c}, A.F. Wongel ⁴⁸, S.D. Worm ⁴⁸, B.K. Wosiek ⁸⁷, K.W. Woźniak ⁸⁷, S. Wozniowski ⁵⁵, K. Wraight ⁵⁹, C. Wu ²⁰, J. Wu ^{14a,14e}, M. Wu ^{64a}, M. Wu ¹¹⁴, S.L. Wu ¹⁷¹, X. Wu ⁵⁶, Y. Wu ^{62a}, Z. Wu ¹³⁶, J. Wuerzinger ¹¹¹, T.R. Wyatt ¹⁰², B.M. Wynne ⁵², S. Xella ⁴², L. Xia ^{14c}, M. Xia ^{14b}, J. Xiang ^{64c}, X. Xiao ¹⁰⁷, M. Xie ^{62a}, X. Xie ^{62a}, S. Xin ^{14a,14e}, J. Xiong ^{17a}, D. Xu ^{14a}, H. Xu ^{62a}, L. Xu ^{62a}, R. Xu ¹²⁹, T. Xu ¹⁰⁷, Y. Xu ^{14b}, Z. Xu ⁵², Z. Xu ^{14a}, B. Yabsley ¹⁴⁸, S. Yacoob ^{33a}, N. Yamaguchi ⁹⁰, Y. Yamaguchi ¹⁵⁵, E. Yamashita ¹⁵⁴, H. Yamauchi ¹⁵⁸, T. Yamazaki ^{17a}, Y. Yamazaki ⁸⁵, J. Yan ^{62c}, S. Yan ¹²⁷, Z. Yan ²⁵, H.J. Yang ^{62c,62d}, H.T. Yang ^{62a}, S. Yang ^{62a}, T. Yang ^{64c}, X. Yang ^{62a}, X. Yang ^{14a}, Y. Yang ⁴⁴, Y. Yang ^{62a}, Z. Yang ^{62a}, W-M. Yao ^{17a}, Y.C. Yap ⁴⁸, H. Ye ^{14c}, H. Ye ⁵⁵, J. Ye ⁴⁴, S. Ye ²⁹, X. Ye ^{62a}, Y. Yeh ⁹⁷, I. Yeletsikh ³⁸, B.K. Yeo ^{17a}, M.R. Yexley ⁹⁷, P. Yin ⁴¹, K. Yorita ¹⁶⁹, S. Younas ^{27b}, C.J.S. Young ⁵⁴, C. Young ¹⁴⁴, Y. Yu ^{62a}, M. Yuan ¹⁰⁷, R. Yuan ^{62b,k}, L. Yue ⁹⁷, M. Zaazoua ^{62a}, B. Zabinski ⁸⁷, E. Zaid ⁵², T. Zakareishvili ^{150b}, N. Zakharchuk ³⁴, S. Zambito ⁵⁶, J.A. Zamora Saa ^{138d,138b}, J. Zang ¹⁵⁴, D. Zanzi ⁵⁴, O. Zaplatilek ¹³³, C. Zeitnitz ¹⁷², H. Zeng ^{14a}, J.C. Zeng ¹⁶³, D.T. Zenger Jr ²⁶, O. Zenin ³⁷, T. Ženiš ^{28a}, S. Zenz ⁹⁵, S. Zerradi ^{35a}, D. Zerwas ⁶⁶, M. Zhai ^{14a,14e}, B. Zhang ^{14c}, D.F. Zhang ¹⁴⁰, J. Zhang ^{62b}, J. Zhang ⁶, K. Zhang ^{14a,14e}, L. Zhang ^{14c}, P. Zhang ^{14a,14e}, R. Zhang ¹⁷¹, S. Zhang ¹⁰⁷, T. Zhang ¹⁵⁴, X. Zhang ^{62c}, X. Zhang ^{62b}, Y. Zhang ^{62c,5}, Y. Zhang ⁹⁷, Z. Zhang ^{17a}, Z. Zhang ⁶⁶, H. Zhao ¹³⁹, P. Zhao ⁵¹, T. Zhao ^{62b}, Y. Zhao ¹³⁷, Z. Zhao ^{62a}, A. Zhemchugov ³⁸, K. Zheng ¹⁶³, X. Zheng ^{62a}, Z. Zheng ¹⁴⁴, D. Zhong ¹⁶³, B. Zhou ¹⁰⁷, H. Zhou ⁷, N. Zhou ^{62c}, Y. Zhou ⁷, C.G. Zhu ^{62b}, J. Zhu ¹⁰⁷, Y. Zhu ^{62c}, Y. Zhu ^{62a}, X. Zhuang ^{14a}, K. Zhukov ³⁷, V. Zhulanov ³⁷, N.I. Zimine ³⁸, J. Zinsser ^{63b}, M. Ziolkowski ¹⁴², L. Živković ¹⁵, A. Zoccoli ^{23b,23a}, K. Zoch ⁵⁶, T.G. Zorbas ¹⁴⁰, O. Zormpa ⁴⁶, W. Zou ⁴¹, L. Zwalinski ³⁶.

¹Department of Physics, University of Adelaide, Adelaide; Australia.

²Department of Physics, University of Alberta, Edmonton AB; Canada.

³(^a)Department of Physics, Ankara University, Ankara; (^b)Division of Physics, TOBB University of Economics and Technology, Ankara; Türkiye.

⁴LAPP, Université Savoie Mont Blanc, CNRS/IN2P3, Annecy; France.

⁵APC, Université Paris Cité, CNRS/IN2P3, Paris; France.

⁶High Energy Physics Division, Argonne National Laboratory, Argonne IL; United States of America.

⁷Department of Physics, University of Arizona, Tucson AZ; United States of America.

⁸Department of Physics, University of Texas at Arlington, Arlington TX; United States of America.

⁹Physics Department, National and Kapodistrian University of Athens, Athens; Greece.

¹⁰Physics Department, National Technical University of Athens, Zografou; Greece.

¹¹Department of Physics, University of Texas at Austin, Austin TX; United States of America.

¹²Institute of Physics, Azerbaijan Academy of Sciences, Baku; Azerbaijan.

¹³Institut de Física d'Altes Energies (IFAE), Barcelona Institute of Science and Technology, Barcelona; Spain.

¹⁴(^a)Institute of High Energy Physics, Chinese Academy of Sciences, Beijing; (^b)Physics Department, Tsinghua University, Beijing; (^c)Department of Physics, Nanjing University, Nanjing; (^d)School of Science, Shenzhen Campus of Sun Yat-sen University; (^e)University of Chinese Academy of Science (UCAS),

Beijing; China.

¹⁵Institute of Physics, University of Belgrade, Belgrade; Serbia.

¹⁶Department for Physics and Technology, University of Bergen, Bergen; Norway.

¹⁷(^a)Physics Division, Lawrence Berkeley National Laboratory, Berkeley CA; (^b)University of California, Berkeley CA; United States of America.

¹⁸Institut für Physik, Humboldt Universität zu Berlin, Berlin; Germany.

¹⁹Albert Einstein Center for Fundamental Physics and Laboratory for High Energy Physics, University of Bern, Bern; Switzerland.

²⁰School of Physics and Astronomy, University of Birmingham, Birmingham; United Kingdom.

²¹(^a)Department of Physics, Bogazici University, Istanbul; (^b)Department of Physics Engineering, Gaziantep University, Gaziantep; (^c)Department of Physics, Istanbul University, Istanbul; Türkiye.

²²(^a)Facultad de Ciencias y Centro de Investigaciones, Universidad Antonio Nariño,

Bogotá; (^b)Departamento de Física, Universidad Nacional de Colombia, Bogotá; Colombia.

²³(^a)Dipartimento di Fisica e Astronomia A. Righi, Università di Bologna, Bologna; (^b)INFN Sezione di Bologna; Italy.

²⁴Physikalisches Institut, Universität Bonn, Bonn; Germany.

²⁵Department of Physics, Boston University, Boston MA; United States of America.

²⁶Department of Physics, Brandeis University, Waltham MA; United States of America.

²⁷(^a)Transilvania University of Brasov, Brasov; (^b)Horia Hulubei National Institute of Physics and Nuclear Engineering, Bucharest; (^c)Department of Physics, Alexandru Ioan Cuza University of Iasi, Iasi; (^d)National Institute for Research and Development of Isotopic and Molecular Technologies, Physics Department, Cluj-Napoca; (^e)University Politehnica Bucharest, Bucharest; (^f)West University in Timisoara, Timisoara; (^g)Faculty of Physics, University of Bucharest, Bucharest; Romania.

²⁸(^a)Faculty of Mathematics, Physics and Informatics, Comenius University, Bratislava; (^b)Department of Subnuclear Physics, Institute of Experimental Physics of the Slovak Academy of Sciences, Kosice; Slovak Republic.

²⁹Physics Department, Brookhaven National Laboratory, Upton NY; United States of America.

³⁰Universidad de Buenos Aires, Facultad de Ciencias Exactas y Naturales, Departamento de Física, y CONICET, Instituto de Física de Buenos Aires (IFIBA), Buenos Aires; Argentina.

³¹California State University, CA; United States of America.

³²Cavendish Laboratory, University of Cambridge, Cambridge; United Kingdom.

³³(^a)Department of Physics, University of Cape Town, Cape Town; (^b)iThemba Labs, Western

Cape; (^c)Department of Mechanical Engineering Science, University of Johannesburg,

Johannesburg; (^d)National Institute of Physics, University of the Philippines Diliman

(Philippines); (^e)University of South Africa, Department of Physics, Pretoria; (^f)University of Zululand,

KwaDlangezwa; (^g)School of Physics, University of the Witwatersrand, Johannesburg; South Africa.

³⁴Department of Physics, Carleton University, Ottawa ON; Canada.

³⁵(^a)Faculté des Sciences Ain Chock, Réseau Universitaire de Physique des Hautes Energies - Université Hassan II, Casablanca; (^b)Faculté des Sciences, Université Ibn-Tofail, Kénitra; (^c)Faculté des Sciences Sémmlalia, Université Cadi Ayyad, LPHEA-Marrakech; (^d)LPMR, Faculté des Sciences, Université

Mohamed Premier, Oujda; (^e)Faculté des sciences, Université Mohammed V, Rabat; (^f)Institute of Applied

Physics, Mohammed VI Polytechnic University, Ben Guerir; Morocco.

³⁶CERN, Geneva; Switzerland.

³⁷Affiliated with an institute covered by a cooperation agreement with CERN.

³⁸Affiliated with an international laboratory covered by a cooperation agreement with CERN.

³⁹Enrico Fermi Institute, University of Chicago, Chicago IL; United States of America.

⁴⁰LPC, Université Clermont Auvergne, CNRS/IN2P3, Clermont-Ferrand; France.

- ⁴¹Nevis Laboratory, Columbia University, Irvington NY; United States of America.
- ⁴²Niels Bohr Institute, University of Copenhagen, Copenhagen; Denmark.
- ⁴³(^a)Dipartimento di Fisica, Università della Calabria, Rende;(^b)INFN Gruppo Collegato di Cosenza, Laboratori Nazionali di Frascati; Italy.
- ⁴⁴Physics Department, Southern Methodist University, Dallas TX; United States of America.
- ⁴⁵Physics Department, University of Texas at Dallas, Richardson TX; United States of America.
- ⁴⁶National Centre for Scientific Research "Demokritos", Agia Paraskevi; Greece.
- ⁴⁷(^a)Department of Physics, Stockholm University;(^b)Oskar Klein Centre, Stockholm; Sweden.
- ⁴⁸Deutsches Elektronen-Synchrotron DESY, Hamburg and Zeuthen; Germany.
- ⁴⁹Fakultät Physik , Technische Universität Dortmund, Dortmund; Germany.
- ⁵⁰Institut für Kern- und Teilchenphysik, Technische Universität Dresden, Dresden; Germany.
- ⁵¹Department of Physics, Duke University, Durham NC; United States of America.
- ⁵²SUPA - School of Physics and Astronomy, University of Edinburgh, Edinburgh; United Kingdom.
- ⁵³INFN e Laboratori Nazionali di Frascati, Frascati; Italy.
- ⁵⁴Physikalisches Institut, Albert-Ludwigs-Universität Freiburg, Freiburg; Germany.
- ⁵⁵II. Physikalisches Institut, Georg-August-Universität Göttingen, Göttingen; Germany.
- ⁵⁶Département de Physique Nucléaire et Corpusculaire, Université de Genève, Genève; Switzerland.
- ⁵⁷(^a)Dipartimento di Fisica, Università di Genova, Genova;(^b)INFN Sezione di Genova; Italy.
- ⁵⁸II. Physikalisches Institut, Justus-Liebig-Universität Giessen, Giessen; Germany.
- ⁵⁹SUPA - School of Physics and Astronomy, University of Glasgow, Glasgow; United Kingdom.
- ⁶⁰LPSC, Université Grenoble Alpes, CNRS/IN2P3, Grenoble INP, Grenoble; France.
- ⁶¹Laboratory for Particle Physics and Cosmology, Harvard University, Cambridge MA; United States of America.
- ⁶²(^a)Department of Modern Physics and State Key Laboratory of Particle Detection and Electronics, University of Science and Technology of China, Hefei;(^b)Institute of Frontier and Interdisciplinary Science and Key Laboratory of Particle Physics and Particle Irradiation (MOE), Shandong University, Qingdao;(^c)School of Physics and Astronomy, Shanghai Jiao Tong University, Key Laboratory for Particle Astrophysics and Cosmology (MOE), SKLPPC, Shanghai;(^d)Tung-Dao Lee Institute, Shanghai; China.
- ⁶³(^a)Kirchhoff-Institut für Physik, Ruprecht-Karls-Universität Heidelberg, Heidelberg;(^b)Physikalisches Institut, Ruprecht-Karls-Universität Heidelberg, Heidelberg; Germany.
- ⁶⁴(^a)Department of Physics, Chinese University of Hong Kong, Shatin, N.T., Hong Kong;(^b)Department of Physics, University of Hong Kong, Hong Kong;(^c)Department of Physics and Institute for Advanced Study, Hong Kong University of Science and Technology, Clear Water Bay, Kowloon, Hong Kong; China.
- ⁶⁵Department of Physics, National Tsing Hua University, Hsinchu; Taiwan.
- ⁶⁶IJCLab, Université Paris-Saclay, CNRS/IN2P3, 91405, Orsay; France.
- ⁶⁷Centro Nacional de Microelectrónica (IMB-CNM-CSIC), Barcelona; Spain.
- ⁶⁸Department of Physics, Indiana University, Bloomington IN; United States of America.
- ⁶⁹(^a)INFN Gruppo Collegato di Udine, Sezione di Trieste, Udine;(^b)ICTP, Trieste;(^c)Dipartimento Politecnico di Ingegneria e Architettura, Università di Udine, Udine; Italy.
- ⁷⁰(^a)INFN Sezione di Lecce;(^b)Dipartimento di Matematica e Fisica, Università del Salento, Lecce; Italy.
- ⁷¹(^a)INFN Sezione di Milano;(^b)Dipartimento di Fisica, Università di Milano, Milano; Italy.
- ⁷²(^a)INFN Sezione di Napoli;(^b)Dipartimento di Fisica, Università di Napoli, Napoli; Italy.
- ⁷³(^a)INFN Sezione di Pavia;(^b)Dipartimento di Fisica, Università di Pavia, Pavia; Italy.
- ⁷⁴(^a)INFN Sezione di Pisa;(^b)Dipartimento di Fisica E. Fermi, Università di Pisa, Pisa; Italy.
- ⁷⁵(^a)INFN Sezione di Roma;(^b)Dipartimento di Fisica, Sapienza Università di Roma, Roma; Italy.
- ⁷⁶(^a)INFN Sezione di Roma Tor Vergata;(^b)Dipartimento di Fisica, Università di Roma Tor Vergata, Roma; Italy.

- ^{77(a)}INFN Sezione di Roma Tre; ^(b)Dipartimento di Matematica e Fisica, Università Roma Tre, Roma; Italy.
- ^{78(a)}INFN-TIFPA; ^(b)Università degli Studi di Trento, Trento; Italy.
- ⁷⁹Universität Innsbruck, Department of Astro and Particle Physics, Innsbruck; Austria.
- ⁸⁰University of Iowa, Iowa City IA; United States of America.
- ⁸¹Department of Physics and Astronomy, Iowa State University, Ames IA; United States of America.
- ⁸²Istinye University, Sariyer, Istanbul; Türkiye.
- ^{83(a)}Departamento de Engenharia Elétrica, Universidade Federal de Juiz de Fora (UFJF), Juiz de Fora; ^(b)Universidade Federal do Rio De Janeiro COPPE/EE/IF, Rio de Janeiro; ^(c)Instituto de Física, Universidade de São Paulo, São Paulo; ^(d)Rio de Janeiro State University, Rio de Janeiro; Brazil.
- ⁸⁴KEK, High Energy Accelerator Research Organization, Tsukuba; Japan.
- ⁸⁵Graduate School of Science, Kobe University, Kobe; Japan.
- ^{86(a)}AGH University of Krakow, Faculty of Physics and Applied Computer Science, Krakow; ^(b)Marian Smoluchowski Institute of Physics, Jagiellonian University, Krakow; Poland.
- ⁸⁷Institute of Nuclear Physics Polish Academy of Sciences, Krakow; Poland.
- ⁸⁸Faculty of Science, Kyoto University, Kyoto; Japan.
- ⁸⁹Kyoto University of Education, Kyoto; Japan.
- ⁹⁰Research Center for Advanced Particle Physics and Department of Physics, Kyushu University, Fukuoka ; Japan.
- ⁹¹Instituto de Física La Plata, Universidad Nacional de La Plata and CONICET, La Plata; Argentina.
- ⁹²Physics Department, Lancaster University, Lancaster; United Kingdom.
- ⁹³Oliver Lodge Laboratory, University of Liverpool, Liverpool; United Kingdom.
- ⁹⁴Department of Experimental Particle Physics, Jožef Stefan Institute and Department of Physics, University of Ljubljana, Ljubljana; Slovenia.
- ⁹⁵School of Physics and Astronomy, Queen Mary University of London, London; United Kingdom.
- ⁹⁶Department of Physics, Royal Holloway University of London, Egham; United Kingdom.
- ⁹⁷Department of Physics and Astronomy, University College London, London; United Kingdom.
- ⁹⁸Louisiana Tech University, Ruston LA; United States of America.
- ⁹⁹Fysiska institutionen, Lunds universitet, Lund; Sweden.
- ¹⁰⁰Departamento de Física Teórica C-15 and CIAFF, Universidad Autónoma de Madrid, Madrid; Spain.
- ¹⁰¹Institut für Physik, Universität Mainz, Mainz; Germany.
- ¹⁰²School of Physics and Astronomy, University of Manchester, Manchester; United Kingdom.
- ¹⁰³CPPM, Aix-Marseille Université, CNRS/IN2P3, Marseille; France.
- ¹⁰⁴Department of Physics, University of Massachusetts, Amherst MA; United States of America.
- ¹⁰⁵Department of Physics, McGill University, Montreal QC; Canada.
- ¹⁰⁶School of Physics, University of Melbourne, Victoria; Australia.
- ¹⁰⁷Department of Physics, University of Michigan, Ann Arbor MI; United States of America.
- ¹⁰⁸Department of Physics and Astronomy, Michigan State University, East Lansing MI; United States of America.
- ¹⁰⁹Group of Particle Physics, University of Montreal, Montreal QC; Canada.
- ¹¹⁰Fakultät für Physik, Ludwig-Maximilians-Universität München, München; Germany.
- ¹¹¹Max-Planck-Institut für Physik (Werner-Heisenberg-Institut), München; Germany.
- ¹¹²Graduate School of Science and Kobayashi-Maskawa Institute, Nagoya University, Nagoya; Japan.
- ¹¹³Department of Physics and Astronomy, University of New Mexico, Albuquerque NM; United States of America.
- ¹¹⁴Institute for Mathematics, Astrophysics and Particle Physics, Radboud University/Nikhef, Nijmegen; Netherlands.

- ¹¹⁵Nikhef National Institute for Subatomic Physics and University of Amsterdam, Amsterdam; Netherlands.
- ¹¹⁶Department of Physics, Northern Illinois University, DeKalb IL; United States of America.
- ¹¹⁷(^a)New York University Abu Dhabi, Abu Dhabi;(^b)University of Sharjah, Sharjah; United Arab Emirates.
- ¹¹⁸Department of Physics, New York University, New York NY; United States of America.
- ¹¹⁹Ochanomizu University, Otsuka, Bunkyo-ku, Tokyo; Japan.
- ¹²⁰Ohio State University, Columbus OH; United States of America.
- ¹²¹Homer L. Dodge Department of Physics and Astronomy, University of Oklahoma, Norman OK; United States of America.
- ¹²²Department of Physics, Oklahoma State University, Stillwater OK; United States of America.
- ¹²³Palacký University, Joint Laboratory of Optics, Olomouc; Czech Republic.
- ¹²⁴Institute for Fundamental Science, University of Oregon, Eugene, OR; United States of America.
- ¹²⁵Graduate School of Science, Osaka University, Osaka; Japan.
- ¹²⁶Department of Physics, University of Oslo, Oslo; Norway.
- ¹²⁷Department of Physics, Oxford University, Oxford; United Kingdom.
- ¹²⁸LPNHE, Sorbonne Université, Université Paris Cité, CNRS/IN2P3, Paris; France.
- ¹²⁹Department of Physics, University of Pennsylvania, Philadelphia PA; United States of America.
- ¹³⁰Department of Physics and Astronomy, University of Pittsburgh, Pittsburgh PA; United States of America.
- ¹³¹(^a)Laboratório de Instrumentação e Física Experimental de Partículas - LIP, Lisboa;(^b)Departamento de Física, Faculdade de Ciências, Universidade de Lisboa, Lisboa;(^c)Departamento de Física, Universidade de Coimbra, Coimbra;(^d)Centro de Física Nuclear da Universidade de Lisboa, Lisboa;(^e)Departamento de Física, Universidade do Minho, Braga;(^f)Departamento de Física Teórica y del Cosmos, Universidad de Granada, Granada (Spain);(^g)Departamento de Física, Instituto Superior Técnico, Universidade de Lisboa, Lisboa; Portugal.
- ¹³²Institute of Physics of the Czech Academy of Sciences, Prague; Czech Republic.
- ¹³³Czech Technical University in Prague, Prague; Czech Republic.
- ¹³⁴Charles University, Faculty of Mathematics and Physics, Prague; Czech Republic.
- ¹³⁵Particle Physics Department, Rutherford Appleton Laboratory, Didcot; United Kingdom.
- ¹³⁶IRFU, CEA, Université Paris-Saclay, Gif-sur-Yvette; France.
- ¹³⁷Santa Cruz Institute for Particle Physics, University of California Santa Cruz, Santa Cruz CA; United States of America.
- ¹³⁸(^a)Departamento de Física, Pontificia Universidad Católica de Chile, Santiago;(^b)Millennium Institute for Subatomic physics at high energy frontier (SAPHIR), Santiago;(^c)Instituto de Investigación Multidisciplinario en Ciencia y Tecnología, y Departamento de Física, Universidad de La Serena;(^d)Universidad Andres Bello, Department of Physics, Santiago;(^e)Instituto de Alta Investigación, Universidad de Tarapacá, Arica;(^f)Departamento de Física, Universidad Técnica Federico Santa María, Valparaíso; Chile.
- ¹³⁹Department of Physics, University of Washington, Seattle WA; United States of America.
- ¹⁴⁰Department of Physics and Astronomy, University of Sheffield, Sheffield; United Kingdom.
- ¹⁴¹Department of Physics, Shinshu University, Nagano; Japan.
- ¹⁴²Department Physik, Universität Siegen, Siegen; Germany.
- ¹⁴³Department of Physics, Simon Fraser University, Burnaby BC; Canada.
- ¹⁴⁴SLAC National Accelerator Laboratory, Stanford CA; United States of America.
- ¹⁴⁵Department of Physics, Royal Institute of Technology, Stockholm; Sweden.
- ¹⁴⁶Departments of Physics and Astronomy, Stony Brook University, Stony Brook NY; United States of

America.

¹⁴⁷Department of Physics and Astronomy, University of Sussex, Brighton; United Kingdom.

¹⁴⁸School of Physics, University of Sydney, Sydney; Australia.

¹⁴⁹Institute of Physics, Academia Sinica, Taipei; Taiwan.

¹⁵⁰(^a) E. Andronikashvili Institute of Physics, Iv. Javakhishvili Tbilisi State University, Tbilisi; (^b) High Energy Physics Institute, Tbilisi State University, Tbilisi; (^c) University of Georgia, Tbilisi; Georgia.

¹⁵¹Department of Physics, Technion, Israel Institute of Technology, Haifa; Israel.

¹⁵²Raymond and Beverly Sackler School of Physics and Astronomy, Tel Aviv University, Tel Aviv; Israel.

¹⁵³Department of Physics, Aristotle University of Thessaloniki, Thessaloniki; Greece.

¹⁵⁴International Center for Elementary Particle Physics and Department of Physics, University of Tokyo, Tokyo; Japan.

¹⁵⁵Department of Physics, Tokyo Institute of Technology, Tokyo; Japan.

¹⁵⁶Department of Physics, University of Toronto, Toronto ON; Canada.

¹⁵⁷(^a) TRIUMF, Vancouver BC; (^b) Department of Physics and Astronomy, York University, Toronto ON; Canada.

¹⁵⁸Division of Physics and Tomonaga Center for the History of the Universe, Faculty of Pure and Applied Sciences, University of Tsukuba, Tsukuba; Japan.

¹⁵⁹Department of Physics and Astronomy, Tufts University, Medford MA; United States of America.

¹⁶⁰United Arab Emirates University, Al Ain; United Arab Emirates.

¹⁶¹Department of Physics and Astronomy, University of California Irvine, Irvine CA; United States of America.

¹⁶²Department of Physics and Astronomy, University of Uppsala, Uppsala; Sweden.

¹⁶³Department of Physics, University of Illinois, Urbana IL; United States of America.

¹⁶⁴Instituto de Física Corpuscular (IFIC), Centro Mixto Universidad de Valencia - CSIC, Valencia; Spain.

¹⁶⁵Department of Physics, University of British Columbia, Vancouver BC; Canada.

¹⁶⁶Department of Physics and Astronomy, University of Victoria, Victoria BC; Canada.

¹⁶⁷Fakultät für Physik und Astronomie, Julius-Maximilians-Universität Würzburg, Würzburg; Germany.

¹⁶⁸Department of Physics, University of Warwick, Coventry; United Kingdom.

¹⁶⁹Waseda University, Tokyo; Japan.

¹⁷⁰Department of Particle Physics and Astrophysics, Weizmann Institute of Science, Rehovot; Israel.

¹⁷¹Department of Physics, University of Wisconsin, Madison WI; United States of America.

¹⁷²Fakultät für Mathematik und Naturwissenschaften, Fachgruppe Physik, Bergische Universität Wuppertal, Wuppertal; Germany.

¹⁷³Department of Physics, Yale University, New Haven CT; United States of America.

^a Also Affiliated with an institute covered by a cooperation agreement with CERN.

^b Also at An-Najah National University, Nablus; Palestine.

^c Also at Borough of Manhattan Community College, City University of New York, New York NY; United States of America.

^d Also at Center for High Energy Physics, Peking University; China.

^e Also at Center for Interdisciplinary Research and Innovation (CIRI-AUTH), Thessaloniki; Greece.

^f Also at Centro Studi e Ricerche Enrico Fermi; Italy.

^g Also at CERN, Geneva; Switzerland.

^h Also at Département de Physique Nucléaire et Corpusculaire, Université de Genève, Genève; Switzerland.

ⁱ Also at Departament de Física de la Universitat Autònoma de Barcelona, Barcelona; Spain.

^j Also at Department of Financial and Management Engineering, University of the Aegean, Chios; Greece.

^k Also at Department of Physics and Astronomy, Michigan State University, East Lansing MI; United

States of America.

^l Also at Department of Physics, Ben Gurion University of the Negev, Beer Sheva; Israel.

^m Also at Department of Physics, California State University, Sacramento; United States of America.

ⁿ Also at Department of Physics, King's College London, London; United Kingdom.

^o Also at Department of Physics, Stanford University, Stanford CA; United States of America.

^p Also at Department of Physics, University of Fribourg, Fribourg; Switzerland.

^q Also at Department of Physics, University of Thessaly; Greece.

^r Also at Department of Physics, Westmont College, Santa Barbara; United States of America.

^s Also at Hellenic Open University, Patras; Greece.

^t Also at Institutio Catalana de Recerca i Estudis Avancats, ICREA, Barcelona; Spain.

^u Also at Institut für Experimentalphysik, Universität Hamburg, Hamburg; Germany.

^v Also at Institute for Nuclear Research and Nuclear Energy (INRNE) of the Bulgarian Academy of Sciences, Sofia; Bulgaria.

^w Also at Institute of Applied Physics, Mohammed VI Polytechnic University, Ben Guerir; Morocco.

^x Also at Institute of Particle Physics (IPP); Canada.

^y Also at Institute of Physics and Technology, Ulaanbaatar; Mongolia.

^z Also at Institute of Physics, Azerbaijan Academy of Sciences, Baku; Azerbaijan.

^{aa} Also at Institute of Theoretical Physics, Iliia State University, Tbilisi; Georgia.

^{ab} Also at L2IT, Université de Toulouse, CNRS/IN2P3, UPS, Toulouse; France.

^{ac} Also at Lawrence Livermore National Laboratory, Livermore; United States of America.

^{ad} Also at National Institute of Physics, University of the Philippines Diliman (Philippines); Philippines.

^{ae} Also at Technical University of Munich, Munich; Germany.

^{af} Also at The Collaborative Innovation Center of Quantum Matter (CICQM), Beijing; China.

^{ag} Also at TRIUMF, Vancouver BC; Canada.

^{ah} Also at Università di Napoli Parthenope, Napoli; Italy.

^{ai} Also at University of Colorado Boulder, Department of Physics, Colorado; United States of America.

^{aj} Also at Washington College, Chestertown, MD; United States of America.

^{ak} Also at Yeditepe University, Physics Department, Istanbul; Türkiye.

* Deceased