

# Lawrence Berkeley National Laboratory

## LBL Publications

### **Title**

LBL Computing Newsletter Vol 28 No 1

### **Permalink**

<https://escholarship.org/uc/item/93z156qq>

### **Author**

Lawrence Berkeley National Laboratory

### **Publication Date**

1991

## **DISCLAIMER**

This document was prepared as an account of work sponsored by the United States Government. While this document is believed to contain correct information, neither the United States Government nor any agency thereof, nor the Regents of the University of California, nor any of their employees, makes any warranty, express or implied, or assumes any legal responsibility for the accuracy, completeness, or usefulness of any information, apparatus, product, or process disclosed, or represents that its use would not infringe privately owned rights. Reference herein to any specific commercial product, process, or service by its trade name, trademark, manufacturer, or otherwise, does not necessarily constitute or imply its endorsement, recommendation, or favoring by the United States Government or any agency thereof, or the Regents of the University of California. The views and opinions of authors expressed herein do not necessarily state or reflect those of the United States Government or any agency thereof or the Regents of the University of California.

JANUARY  
1991

# **LB COMPUTING NEWSLETTER**

## **IDL (INTERACTIVE GRAPHICS) COURSE**

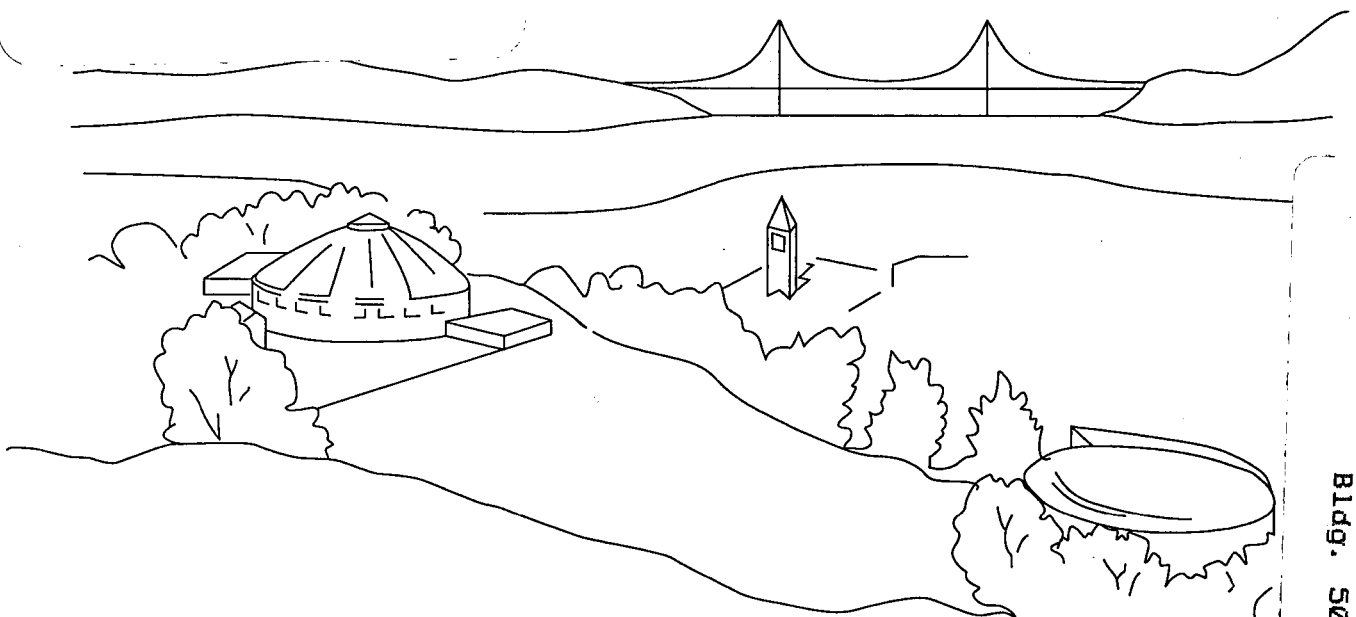
### **1990 NEWSLETTER INDEX**

#### **CENSUS CD-ROMS**

**For Reference**

Not to be taken from this room

**OSPF**



LAWRENCE BERKELEY LABORATORY  
BERKELEY, CALIFORNIA . . . 94720

Bldg. 50 Library.  
Copy 1

PUB-429

This document was prepared as an account of work sponsored by the United States Government. Neither the United States Government nor any agency thereof, nor The Regents of the University of California, nor any of their employees, makes any warranty, express or implied, or assumes any legal liability or responsibility for the accuracy, completeness, or usefulness of any information, apparatus, product, or process disclosed, or represents that its use would not infringe privately owned rights. Reference herein to any specific commercial products process, or service by its trade name, trademark, manufacturer, or otherwise, does not necessarily constitute or imply its endorsement, recommendation, or favoring by the United States Government or any agency thereof, or The Regents of the University of California. The views and opinions of authors expressed herein do not necessarily state or reflect those of the United States Government or any agency thereof or The Regents of the University of California and shall not be used for advertising or product endorsement purposes.

Newsletter Closing Date is Tuesday, January 15, 1991

Address all communications for the Newsletter to login nooz@ux1.lbl.gov  
or put in Maggie Morley's Drop Box in the Workstation Group File Server

**Editor: Maggie Morley**

Prepared for the U.S. Department of Energy under Contract DE-AC03-76SF00098

Lawrence Berkeley Laboratory is an Equal Opportunity Employer

PUB 429 1/91 2125

## TABLE OF CONTENTS

|  |    |
|--|----|
| <b>ICSD TRAINING SCHEDULE</b> .....                            | 4  |
| <b>GENERAL NEWS</b>  |    |
| Census CD-ROMS Available .....                                 | 5  |
| VT100s - Free for the Asking .....                             | 5  |
| Interactive Graphics Class -- IDL .....                        | 5  |
| Information on Available Memory on Sun UNIX .....              | 6  |
| <b>NOTES FROM TROUBLE MAIL</b> .....                           | 7  |
| <b>NEWS OF PHYSICS LIBRARIES</b> .....                         | 10 |
| <b>LBLNET NEWS</b> .....                                       | 14 |
| LBLnet Subnet Overview - December 1990 .....                   | 15 |
| LBLnet Overview - December 1990 .....                          | 16 |
| <b>THE WORKSTATION SCENE</b> .....                             | 17 |
| <b>INDEX OF COMPUTING NEWSLETTER TITLES AND KEYWORDS</b> ..... | 19 |
| <b>NAMES &amp; NUMBERS TO KNOW</b> .....                       | 31 |

# ICSD TRAINING SCHEDULE

January - April 1991

## COMPUTING SERVICES CLASSES

The following courses are offered by Computing Services. There is no charge for them, but you do need a current UNIX or VMS/CSA login. To enroll, obtain your supervisor's approval and then contact Rita McLean, 5872.

|                                 |        |                |          |
|---------------------------------|--------|----------------|----------|
| IDL Graphics Package            | Jan 29 | 9:30 AM - 4 PM | 50B-1232 |
| Electronic Mail Survey          | Jan 31 | 10 AM - Noon   | 50B-1237 |
| UNIX - Intro I                  | Feb 11 | 9 AM to Noon   | 50B-1232 |
| UNIX - Vi editor                | Feb 12 | 9 AM to Noon   | 50B-1232 |
| UNIX - Intro II                 | Feb 13 | 9 AM to Noon   | 50B-1232 |
| UNIX - Intro to Text Formatting | Feb 14 | 9 to 10:30 AM  | 50B-1232 |

## WORKSTATION CLASSES

The following courses are offered by the Workstation Group. There is no charge for these classes. To enroll, obtain your supervisor's approval and then contact Carole Casaretto, x6858.

(Those classes with asterisks (\*) in front of them are already full.)

### IBM-PC: Bldg. 50B, Rm. 1237

*Microsoft Word* for the IBM/PC \* Feb. 19, 21, 26, 28  
3 - 4:30 PM

Apr. 16, 18, 23, 25  
3 - 4:30 PM

**NEW**

Introduction to *Windows* for the IBM/PC \* Jan. 8, 9  
1 - 2:30 PM

Feb. 12, 13  
8 - 9:30 AM

Introduction to PC-DOS \* Jan. 22, 23, 24  
1 - 2:30 PM

Feb. 19, 20, 21  
1 - 2:30 PM

**NEW**

*Microsoft Word* for Windows \* Jan 8, 10, 15, 17  
3 - 4:30 PM

Mar. 19, 21, 26, 28  
3 - 4:30 PM

### Macintosh: Bldg. 50B, Rm. 1229

Basic Macintosh Jan. 9  
12 - 1 PM  
no sign-up req.

Intro. to *MacDraw* Feb. 5, 6, 7  
10:30 - Noon

Basic Intro. to *FileMaker* \* Jan. 23, 25  
1 - 3 PM

Feb. 20, 22  
1 - 3 PM

Mar. 27, 29  
1 - 3 PM

Beginning *Microsoft Word* Jan. 15, 16, 17  
10 - 12 Noon

Feb. 12, 13, 14  
10 - 12 Noon

Beg. *Excel* Spreadsheet Jan. 14, 16, 18  
8 - 10 AM

**NEW**

Introduction to *PowerPoint* Jan. 29, 31  
1-2:30 PM

The Workstation Group also offers **noon time** classes (no sign-up required) in the following subject:

**Basic Macintosh Class** ..... 1/9/91 50B/1229

See Workstation Scene Newsletter Articles for more details on these workshops.

# GENERAL NEWS

## CENSUS CD-ROMS AVAILABLE

Deane Merrill

Computing Sciences Research and Development (CSRD) has purchased, from the Bureau of the Census, five CD-ROM diskettes that may be of general interest. We expect that they will be directly accessible by January 1991 via Sun's Network File System (NFS) in the LBL distributed network.

Titles are:

- 1990 Pre-Census TIGER line/files for California (2 diskettes)
- 1988 County and City Data Book
- 1987 Economic Censuses, Volume 1, Release 1B
- 1986 and 1987 County Business Patterns

Each diskette contains about 500 MBytes of data. All the data are in dBase format and are in the public domain.

Forward comments and questions to me at x5063 or

UNIX or  
Software Tools Mail: [dwmerrill@lbl.gov](mailto:dwmerrill@lbl.gov)  
VMS Mail: [lbl::dwmerrill](mailto:lbl::dwmerrill)

## VT100s - FREE FOR THE ASKING

Marv Atchley

Computing Services has a number of VT100-compatible terminals, for use on CSA and UNIX, which it wants to give away.

If you're interested in having one of these in your office, send e-mail to me —

UNIX or  
Software Tools Mail: [FMAatchley@lbl.gov](mailto:FMAatchley@lbl.gov)  
VMS Mail: [lbl::FMAatchley](mailto:lbl::FMAatchley)

## INTERACTIVE GRAPHICS CLASS — IDL

Nancy Johnston

A one-day class is being offered on IDL, the interactive graphics package described in the November 1990 LBL Computing Newsletter. The class will cover:

- Scientific plotting (line and bar charts, contours, 3D surfaces, mesh plots, etc.)
- Image processing
- Mathematical manipulations
- Writing IDL procedures
- Hardcopy output (color and monochrome PostScript, and the Kodak for Images)
- Use of existing FORTRAN and C code (e.g., HIPS programs for Image Processing).

The class will be taught on Sun Workstations using X Windows. Prior knowledge of X Windows or UNIX is not required. Attendance is limited, and reservations are required because we'll need to set up accounts on UX5 for attendees.

Time: ..... 9:30 AM-Noon and 1:30-4 PM  
Date: ..... Tuesday, Jan. 29, 1991  
Place: ..... Bldg. 50B, Rm. 1232  
Contact: .... Rita McLean, x5872 for Reservations

Forward comments and questions to me at x5093 or

UNIX or  
Software Tools Mail: [NEJohnston@lbl.gov](mailto:NEJohnston@lbl.gov)  
VMS Mail: [lbl::NEJohnston](mailto:lbl::NEJohnston)

## INFORMATION ON AVAILABLE MEMORY ON SUN UNIX

Dave Cleveland  
Martin Gelbaum

✓ To determine how much memory is available on a Sun UNIX system, type

```
UX5> fgrep mem /var/adm/messages*
```

It responds:

```
/var/adm/messages.3:Nov 13 06:20:13 UX5 vmunix: 00262 low-memory static kernel pages
/var/adm/messages.3:Nov 13 06:20:13 UX5 vmunix: mem = 98304K (0x6000000)
/var/adm/messages.3:Nov 13 06:20:13 UX5 vmunix: avail mem = 97427456
/var/adm/messages.3:Nov 13 06:20:13 UX5 vmunix: mem = 98304K (0x6000000)
/var/adm/messages.3:Nov 13 06:20:13 UX5 vmunix: avail mem = 97427456
/var/adm/messages.3:Nov 14 20:55:25 UX5 vmunix: mem1: soft ecc addr ...
```

To calculate the exact number of megabytes of physical memory in UX5 (96) at this reboot, you must divide the number of kilobytes (98304) by the number of bytes per kilobyte (1024).

Total memory= 98304/1024=96 MBytes.

Note: if you type

```
UX5> fgrep mem /var/adm/messages ("messages" without the asterisk appended)
```

you will not necessarily get useful information, because not all the "messages" files will have been checked.

✓✓ To determine how much swap space is available on a Sun UNIX system, type

```
UX5> /usr/etc/pstat -T
```

It responds:

```
534/3628 files
1253/1542 inodes
193/1034 processes
123256/378808 swap
```

Here, to calculate the number of megabytes of total swap space on UX5 (369), you must divide the number of kilobytes allocated (378808) by the number of bytes per kilobyte (1024).

Total swap space=378808/1024=369 MBytes.

Forward comments and questions to Dave Cleveland at x5336 or Marty Gelbaum at x4749

UNIX or  
Software Tools Mail: [DHCCleveland@lbl.gov](mailto:DHCCleveland@lbl.gov)  
VMS Mail: [lbl::DHCCleveland](mailto:lbl::DHCCleveland)

UNIX or  
Software Tools Mail: [martyg@lbl.gov](mailto:martyg@lbl.gov)  
VMS Mail: [lbl::martyg](mailto:lbl::martyg)



# NOTES FROM TROUBLE MAIL

Maggie Morley

Following are further examples of typical exchanges from our on-line UNIX and VMS mail facilities.

## MESSAGE

I'm trying to move my (extensive) mail files off the CSA cluster to another VAX. The copy went OK, but when I look on the other VAX, all my folders are missing. It claims that the file mail.mai is empty, even though I copied it from CSA, where it is not empty, and the size of the file is 2904 blocks; it doesn't look empty! Is there some way I can fool the VAX at the new site into using my mail files from CSA?



## RESPONSE

Called user at the SSC in Texas; helped him resolve the problem. Essence of solution: in VMS MAIL, one may SET MAIL\_DIRECTORY [.mail], thus moving all one's \*.mai files into [.mail] from one's home directory. User had created this subdirectory directly - via DCL - and put all his \*.mai files into it. VMS MAIL looked for his \*.mai files in his home directory and could not find them there; when I had him try "SET MAIL\_DIRECTORY [.mail]", VMS MAIL tried to create this subdirectory - AGAIN - and (naturally) failed. I had him RENAME all his (20-30 megabytes of) \*.mai into his home directory, remove the subdirectory [.mail], and then use the SET MAIL\_DIRECTORY [.mail] command. This worked and all's well. (VMS MAIL itself then created the subdirectory and moved all \*.mai into it.)

## MESSAGE

I would like to include a mathematical expression in a section header in a LATEX document. An example might be

```
\section{$\sqrt{3}$}
```

LaTeX gives the error message "TeX capacity exceeded, sorry [input stack size=2000]".

I suspect the section macro is bombing on the curly braces. Is there some way to avoid this problem?

## RESPONSE

Either of these will work:

```
\section{$\protect\sqrt{3}$}
```

or

```
\section{(\protect\sqrt{3} \)}
```

The "\protect" is needed because some LaTeX commands, including "\sqrt", are "fragile" and need to be protected when used as an argument in a sectioning command such as "\section". See Leslie Lamport's *LaTeX User's Guide and Reference Manual*, Pg. 24-25 and Pg. 170. I suspect that you tried something other than "\section{\$\sqrt{3}\$}" because even when unprotected the error message was "! Use of \@sqrt doesn't match its definition" and not the infamous "TeX capacity exceeded ..."

## MESSAGE

I am working on a booklength manuscript which I have been preparing with UNIX *iroff* and *refer*. After setting this aside for a few months, I returned to this in the middle of last month. The *refer* program now appears to be broken. There are two main symptoms.

- First, if two footnotes follow each other with no text in between it is now [considered] an "error" and *refer* throws out the note.
- Second, the *refer* program sometimes stops without warning or error messages after processing 10-15% of the file. When this happens, running the program a second time works. In fact it sometimes alternates finishing/stopping short.

I presume a new version of these programs must have been installed over the last few months. Is it possible to get access to the old, working version? It will take me days to redo this manuscript on my PC with LaTeX or *Word*, and I hope to avoid this.

## RESPONSE

There's nothing wrong the with new *refer* on UX1 (although I suggest you move to UX5 because the machine is so much faster). Your problem is that your file had many extra blanks in it, apparently caused by a colleague editing it with WordPerfect on a PC. *refer* is a program that looks for references in a database when these references are set off by lines with ONLY "[." and "]" on them. Unfortunately, your file had "[.^\n" and ".]^\n" instead — that is, there was an extra blank just before the end of the line. Simple global substitution with Vi cleaned the file and then *refer* worked as desired. (The extra blanks became visible after using "set list" in Vi, which makes visible the the end-of-line characters, tabs, etc.)

## Typesetting



Here's a simple sample of refer.

```
.LP
Recently, it has been suggested that a companion star
could explain 26 million year periodicities found in mass
extinctions of species on the earth
```

```
.[
Maier Chettle Lau McEwen
```

```
.]
.[
Kopenhagen
```

```
.]
\&. Further studies have been done by
```

```
.[
De Jonghe Rahaman Hsueh
```

```
.]
The references denoted by "Maier Chettle Lau
McEwen", etc., would have to be in the database file,
which has a specific format for listing the authors, title,
etc., of a document, which is described in the UNIX
documentation for refer (by Bill Tuthill of UC Berkeley.)
```

## MESSAGE

I am trying to get out the angstrom symbol on troff, but I don't know how. I have already tried out the options in the troff book, but perhaps there is a new way to get this character.. Can you help me????

## RESPONSE

Try using

```
.so /usr/pub/eqnchar
```

at the top of the file to get in some additional characters for eqn. Then, format the file by (for example)

```
iroff -Pap4 -me filename
```

Here's a fragment of a file showing how to use this:

```
.so /usr/pub/eqnchar
.tp
.th
.EQ
gfont roman delim &&
.EN
.sp 1
.\" Use the angstrom symbol from /usr/pub/eqnchar:
The angstrom - only in eqn - & angstrom &
.sp 1
This makes a decent angstrom symbol.
```

On the CSA cluster, use

```
.so lpd_root:[lib]eqnchar.
instead of
.so /usr/pub/eqnchar
```

(This angstrom looks better when printed on an Apple LaserWriter than on an Imagen).

## MESSAGE

Could someone tell me where the FORTRAN library for GKS is located (for FORTRAN calls, not DEC)?

## RESPONSE

If I understand your message correctly, you are looking for DEC's GKS FORTRAN interface, and not for their GKSS\$ interface. We do not use DEC's GKS, but support a third party's version (ATC).

ATC supports both the standard FORTRAN interface and a C interface. You can get more information by typing **help graphics gks** on any of the VAX Cluster machines.

## MESSAGE

I use a command called **render** on our microvax to convert UIS graphics to a form which is readable by Apple LaserWriters (I think it is PostScript).

The problem is this: if my screen has a dark background (which it normally does) then the printout will also have a dark background with white spots. This wastes toner and looks silly. Is there some command to invert a UIS graphics file color? I looked in the **render help** library and couldn't find any likely approach.

## RESPONSE

I don't know how to convert a UIS file, but you can invert black and white in a PostScript file with the following command:

```
{1 exch sub} settransfer
```

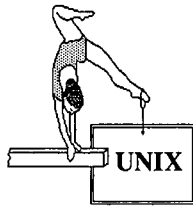
A couple of notes:

- (1) RENDER is a DEC program for the UIS graphics/VWS window system; DEC is no longer doing development in that window system and is asking that all VAXstation VMS customers move to the DECWindows system. In February or March of 1991, Computing Services plans to upgrade its VAXstations to a version of VMS that will not support the UIS graphics/VWS window system at all and that will run only DECWindows.
- (2) Under this DECWindows system, there are standard methods by which you can change the background of the screen and/or the image (positive or negative) of the printout of the screen.

## MESSAGE



I have a SPARCstation 1 on my desk, and use telnet to call my account on UX5. There is a line in my .login file which suggests vt102 as a TERM setting. I hit return, but my SunView window certainly does not behave like a vt102 window. Normal things like vi do not work as advertised. What should I do?



### RESPONSE

Rather than "vt102", answer with "sun" if you're working with **shelltool** or with "sun-cmd" if you're working with **commandtool**.

### MESSAGE

Is there a UNIX FTP option equivalent to the /take option on the VAX Cluster ftp implementation?

### RESPONSE

The following will work: Make a file, call it **ftp.cmds**, whose contents (three lines) are, for example,

```

                (line 1 is blank)
ls              (line 2)
bye            (line 3)

```

Yes, that initial blank line is intentional and crucial.

Then, run this command on your UNIX machine:

```
ftp csa2.lbl.gov < ftp.cmds
```

You will see a response like this:

Name (CSA2.lbl.gov:joeuser): Password:

Enter your CSA password and then, after the CSA logs you in, you will see a listing of your CSA home directory and then FTP will automatically disconnect. Of course, more interesting commands are possible, for instance

```
get file.x (etc.)
```

### MESSAGE

Can you tell me please how to run FORTRAN on Suns served by CSR? **F77** does not work, nor does **man f77**. Same problem running on CSR directly.

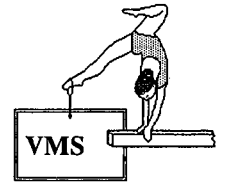
### RESPONSE

1. Log into CSR.
2. Put the following line somewhere in your file .login  
**setenv MANPATH /usr/lang/man:/usr/man**
3. REMOVE from the file .login any line of the form  
**set path=.....**

4. Put the following line near the beginning your file  
**.cshrc**  
**set path=(/usr/lang ~/bin/usr/local/ ....)**
5. Log out and log in again.
6. You can then run **f77** by typing  
**f77 filename**
7. You can get help by typing  
**man f77**

### MESSAGE

How do I link my VAX C program?



### RESPONSE

Here's an excerpt from "Using VAX C RTL as a Shareable Image" (Pg. 15-3 of VAX C Run-Time Library Information).

"Instead of using the object code of the VAX C RTL functions, you can, as an option, use the VAX C RTL as a shareable image. When you use the VAX C RTL as a shareable image, you do not receive a copy of the object code in your program's local psect; control is passed, by pointers, from your program to libraries containing the RTL images where the designated function executes. After execution, control returns to your program. This process has a number of advantages. You drastically reduce the size of a program's executable image, the program's image takes up less disk space, and the program swaps in and out of memory faster because of its decreased size."

How to use the options file that calls in the VAX C shareable run-time library:

- (1) Make a file **SYS\$LOGIN:VAXCRTL.OPT**, whose contents should be this line  
**sys\$share:vaxcrtl.exe/share**
- (2) define a symbol in your login.com as follows:  
**\$ ccopts ::= SYS\$LOGIN:VAXCRTL.OPT/OPT**
- (3) When you link C object programs, use the following:  
**\$ link prog1, prog2, ..., 'ccopts'**

*If you want wider distribution of your comments or questions, we encourage you to send them to **trouble** since it is seen by a wide range of people, including 1G Divisional management. To use Trouble, enter the VMS, Software Tools, or UNIX mail system and send mail to the address*

**trouble <cr>**

*We won't, of course, include any user's name in the exchanges.*

# NEWS OF PHYSICS LIBRARIES

Werner Koellner

## ● GENERAL NEWS

New lists LGEANT and LPAW have been set up in the CERNVM LISTSERV facility to improve communication and sharing of information concerning the CERN programs GEANT and PAW. This facility is akin to the DEC NOTES facility: to participate in this interchange, you register by sending an electronic mail message with the first line of the message being

**SUBSCRIBE <list> <your full name>**

where **list** is LGEANT or LPAW.

The current notes may be found in

**Cern\$Inform:LPAW-yymmdd.Note**  
and  
**LGEANT-yymmdd.Note**

**ON UX5  
and  
STARDENT**

## ● CERN LIBRARY

Selected CERN Libraries are available on UX5 and may be copied to Sun SPARCstations. Work is in progress to port some additional libraries to UX5, and to port supported libraries to the STARDENT workstation. Note that porting libraries to Silicon Graphics, IBM RISC-6000, and Convex machines is also supported at Cern.

For information about the status of these efforts, as well as instructions on using these libraries, see the following man entries:

**man cernlib**  
**man paw**  
**man geant**  
**man isajet**  
**man jetset73** and  
**man minuit**

as well as the CSA section below.

Except for Isajet, libraries on STARDENT are still largely untested, and PAW or GEANT may not be operational yet.

The path to the CERN library area on UX5 and STARDENT begins with

**/home/ux5/ux5c/phyd/cern**

All files that are common to both UX5 and STARDENT are downstream from subdirectory "sun" while those unique for STARDENT are downstream for subdirectory "stardent". I suggest that you set the environment variable CERN\_ROOT:

**setenv CERN\_ROOT /home/ux5/ux5c/phyd/cern**

Then you'll find UX5 files in

**\$CERN\_ROOT/sun/\***

and those unique to STARDENT in

**\$CERN\_ROOT/stardent/\***

All Sun libraries have been built as shareable libraries, except for PAW, where the static library **libpaw.a** is being used. (The shareable library causes SIGMA to fail).

In linking with any library, just specify

**-l<library>**

where <library> is one of the strings listed under "LIBRARY" below. .

On Sun machines, ATC-GKS is the supported graphics interface for CERN programs. For details, see the man entry

**man gks.**

The following libraries are available in

**\$(CERN\_ROOT)/lib**

(Versions as on CSA):

| <b>LIBRARY</b> | <b>PACKAGES</b>  |
|----------------|--|
| geantlib ..... | geane, geang, geanh, geant, geanx  |
| genlib .....   | gen  |
| graflib .....  | hplot5, higz_atc, gkspack  |
| isajet .....   | p-p, pbar-p Monte Carlo  |
| jetset73 ..... | LUND Monte Carlo<br>(Jetset73 + Pythia54)  |
| kernlib .....  | kerngen, kernnum   |
| minuit .....   | minuit   |
| packlib .....  | cspack, epio, ffreed, hbook4,<br>iopack, kapack, kuip, minuit,<br>zbook, zebra, zcedex |
| pawlib .....   | paw_atc, comis, sigma  |

### ● PAW

As on CSA, PAW is supported with ATC-GKS graphics. The standard program may be executed on UX5 by merely typing `paw_atc`. For further details consult the man entry

`man paw`

### ● GEANT

Only the latest GEANT Version (3.14 with ATC-GKS graphics) is supported on UX5. For details about linking your executable image, consult the man entry

`man geant`

Some examples may be found in

`$(CERN_ROOT)/sun/demo.`

## ON CSA

### ● PHYSICS UTILITIES

On the CSA Cluster, and on LAN workstations, if the required disks are mounted, you can access the Physics Utilities, including the CERN Library, the PAW (Physics Analysis Workstation) Library, and the various Physics Utilities HELP Libraries by executing the DCL command

`@Physics$Manager:Setup_Phys`

We recommend that you include this line in your Login.Com file.

### ● HELP

When you type

`Help @Physics_Uilities`

you'll see a list of utilities for which help text is available under "Additional information available." You may also type

`Help 'subtopic'`

where 'subtopic' is one of the utilities listed, to get help directly on a particular utility.

### ● APS\_LaTeX

Submit articles to the PHYSICAL REVIEW in machine readable LaTeX compuscripts by using the APS "compuscript toolbox." Type

`Help Mis_Phys Aps_Latex`

for more information.

### ● APS\_WHATS\_NEW

Weekly news capsules, issued by Robert Park of the American Physical Society, are available in APS\_WHATS\_NEW. To read (and keep track of) just the news capsules that you haven't read yet, type

`@Aps_Whats_New:Whats_New <cr>`

or just `WHATS <cr>`

For further information, type

`Help Mis_Phys Aps_Whats_New`

### ● CERN LIBRARY

Object libraries are updated at unpredictable times. Changes are documented in the "Program Library News" section of the CERN Computer Newsletter. Past, current, and sometimes future issues can be found in `Cern$Inform:PROGLIB.CNLxxx`. Of particular interest are news items regarding the status of obsolete routines. Additional information can be found in various files in `Cern$Inform`, in `Cern$CernHlp`, and via online HELP for selected products. In some cases a previous version of an object library is available as `xxxxx.OLD`. In particular, type

`Help Cern Lib`

to see a small description of the library packages and current versions that are available. In some cases a previous version of an object library is saved as `xxxxx.OLD`.

The recommended method to access the latest standard object libraries is to use logical names `CERN$*_LIB`. For these names and other details, please see the help text in

`Help Cern`

The following object libraries and programs have been updated recently.

**This executable is in CERN\$CERNEXE**  
`CMZ ..... Version 1.35/01`

**Packages in Library CERN\$GEANTATC\_LIB**  
`GEANX ..... Version 3.14/16`  
 (+local ATCGKS mods)

**Packages in Library CERN\$GRAFATC\_LIB**  
`HIGZ ..... Version 1.11/05`  
 (+local ATCGKS mods)

**Packages in Library CERN\$PAWATC\_LIB**  
`Paw ..... Version 1.10/02`  
 (+local ATCGKS mods)

### Packages in Library CERN\$PACK\_LIB

Cspack ..... Version 1.04 (see below)  
 (temporarily disabled on CSA)  
 Minuit ..... Version 2.04  
 Zcedex ..... removed  
 Kuip ..... Version 1.65

### ● CERN\_NEWS

Cern News is a facility which allows remote access to News Items (for instance, the latest LEP News), that are posted by a number of research groups at CERN on either the VAX or IBM machines at CERN.

To see the list of available News Groups, type

**Cern\_News/INQ**

To scan news of the LEP group, type

**Cern\_News LEP**

and follow the instructions. Once in CERN\_NEWS, you may send the current news item to the default printer, or fetch the file into your default directory.

For additional information, type

**Help Cern\_News**

### ● COMPUTER PHYSICS COMMUNICATIONS

Computer Physics Communications of Belfast, Northern Ireland, maintains the CPC Program Library, which contains over 1100 refereed programs in Physics and Physical Chemistry submitted by scientists from all over the world. Descriptions are published in the North-Holland journal Computer Physics Communications. Indexes of newly-added programs can be found in

**Cern\$Inform:CPC\_LIB\_mmyy.INDEX.**

Electronic access to the library is now available from CSA3 via the BSEND command. For more information see

**Cern\$Inform:CPC.INTRO.**

### ● CSPACK

This is a new "Distributed Computing Package" from CERN. The application-callable routines are part of CERN\$PACK\_LIB. The package consists of

- ✓ ZFTP (file transfer program),
- ✓ SYSREQ (communication package),
- ✓ TELNETG (modified TELNET program),
- ✓ a ZEBRA Server, and
- ✓ Utility Routines.

Actual release of this package on LBL machines is pending.

### ● DISPLAY5

This program is a version of the locally written program DISPLAY, with the added capability of reading and writing newer Hbook4/Hplot5 direct-access histogram files. Much of the conversion work has been done by Kim Ng, of FNAL. For further details type

**Help Display Display5**

### ● FOR\_STRUCT

FOR\_STRUCT is a new product which has been made available through the Electronics Engineering Division of LBL as part of their reverse engineering and CASE studies. It is licensed on the CSA cluster.

FOR\_STRUCT is a comprehensive structuring utility to transform spaghetti FORTRAN-IV and FORTRAN-77 into fully-structured code. It completely converts IF-GOTO, GOTO and DO..CONTINUE statements into equivalent structured forms. Various options may be specified.

To use this new, non-interactive utility, type

**FSTRUCT <filename> <cr>**

or just **FST <cr>**

For minimal HELP text, type

**Help Mis\_Phys FSTRUCT.**

### ● GKS

As explained in the August Newsletter, Version 3.2 of ATC-GKS, which became the default, no longer supports the VAXstation (VWS/UIS) driver 4300. Please note that the old version remains available in **Sy\_Graphics:[OLD\_ATCGKS]**. To link and run with the old version, redefine GKS logicals

**@Sy\_Graphics:[OLD\_ATCGKS]OLDGKS**

### ● GEANT

GEANT, a system of detector description and physics simulation tools, is available as part of the CERN Libraries. A sample Program, using ATC\_GKS or DI3000 to demonstrate graphics and other capabilities, is available. The current default, accessed via the logical name **Cern\$GeantATC\_Lib**, is the latest Version 3.14. Note: the actual filename of the object library was changed to **Cern\$Library:GEANT\_ATC.OLB**. Similarly, the characters "314" have been omitted from the PAM filenames.

The release notes of the latest version are in

**Cern\$Inform:Geant314.History**

The recommended link procedure

**Cern\$Library:Geant.Lnk**

uses one of the linker options files

**GEANTI\_ATC.OPT**,  
**GEANTB\_ATC.OPT** for ATC-GKS graphics, or  
**GEANTI.OPT** or **GEANTB.OPT** for simple MGKS  
 graphics.

The difference between **I**(nteractive) or **B**(atch) is just the inclusion of the main program GXINT in the interactive case.

Besides ATC-GKS, GEANT is also available with the DI3000 graphics interface. To link that version, on CSA2 only, use

**@Cern\$Library:Geant\_Di3000.Lnk.**

Graphics output, destined for hardcopy devices, e.g., the IMAGEN printer, PostScript devices, etc., or "real" CGM metafiles, may be written simultaneously with interactive display via the command

**Metafile**

For additional information please type

**Help Geant**

#### ● PAW

At LBL, the program PAW is being maintained primarily in the full GKS version, named PAW\_ATC, although the mini-GKS version, as well as a DI3000 version, are available. PAW\_ATC uses the ATC-GKS interface, whereas PAW\_DI3000 uses the Precision-Visuals DI3000 interface, which can be used only on CSA2. Both versions make a large number of output devices available to the user for graphics output. Standard executable programs of PAW\_ATC, METAPAW, PAW\_DI3000, as well as PAW, are available in **PAW\$LIBRARY**.

To use the PAW with the old ATC-GKS, please see the section "GKS" above, and

**Run Paw\$Library:Paw\_Oldatc.exe**

If desired, users may link their own versions by using or modifying the procedures

**PAW\$LIBRARY:PAW\_ATC.LNK** or  
**PAW\$LIBRARY:PAW\_OLDATC.LNK** or  
**PAW\_DI3000.LNK** or  
**PAW.LNK**

These procedures use corresponding linker options files, e.g. PAW\_ATC.OPT.

With PAW\_ATC, all graphics output may be written simultaneously to a graphics output destined for a particular hardcopy device, e.g., a PostScript printer, or an IMAGEN printer, as well as to a "real" CGM Metafile, via the command

**Metafile**

Displayed graphics may also be written **selectively** to a PostScript device file. See

**Help Paw**

for details.

Most recent PAW\_ATC improvements are documented in files **Cern\$Inform:Paw.News\***. The latest of these is **PAW.NEWS1010**. Manuals for PAW, including a fancy new User's Manual, are available from the Computer Center Librarian (Bldg. 50B, Rm. 1232B - x7008). You can get a nice TeX hardcopy manual of the latest PAW Command Guide by running PAW\_ATC and issuing the KUIP command

**Manual/ Guide.Tex Tex**

and processing the file **Guide.Tex** through the TeX processor.

Forward comments and questions to me at x4398, or

Unix or  
 Software Tools Mail: **WOKoellner@lbl.gov**  
 VMS Mail: **lbl:WOKoellner**

# LBLNET NEWS

Bob Fink & Sig Rogers

## LBL to use ESNET for External TCP/IP Usage

Until now, LBL's external TCP/IP Internet traffic has been carried by BARRNET and NSFNET. With the evolution of a mature and reliable ESNET (the Department of Energy's Energy Sciences national network for TCP/IP and DECnet traffic) a new alternative is possible.

ESNET has been successfully carrying most of HEPNET (High Energy Physics NETWORK) DECnet traffic for the last year. In addition, selected usage of ESNET for TCP/IP traffic to DOE facilities directly attached to ESNET has been accomplished.

Also, ESNET is now reliably interconnected with NSFNET and other regional, national and international networks through the two official Federal Interconnect points called FIX-East and FIX-West.

During this period, BARRNET has also matured. The most important aspect of this for LBL is the introduction of the new OSPF (Open Shortest Path First) routing protocol within BARRNET allowing better routing control and information for all users of BARRNET.

What all this means is that LBL is now able to utilize ESNET fully as its primary external network for all TCP/IP and DECnet traffic other than those networks directly connected to BARRNET (OSPF helps provide this feature).

This capability is important for LBL as LBL has long championed the cause of quality networking for DOE. Thus it is important for LBL and DOE that we support this network, help it mature and grow, and to plan for its future evolution into T3 speeds (45 Mbps) and higher (i.e., gigabit speeds).

As this NEWSLETTER goes to press, we anticipate that LBL will have made the shift from BARRNET/NSFNET to ESNET by late January. Network support personnel around the Laboratory will be kept apprised by the usual channels of the Network Advisory Group (NAG) and the net\_notify e-mail list.

If you have any questions, please contact Bob Fink at x5692.

## Traffic Data

### 50LAN Statistics

*Statistics for an 18 day interval, 16 Nov - 3 Dec 1990:  
Packet rates averaged over interval:*

|                 |          |
|-----------------|----------|
| Packets/Sec     | 464 pps  |
| Collision rate  | 2.7 %    |
| Broadcasts/Sec. | 1.3 pps  |
| MultiCasts/Sec  | 31.7 pps |

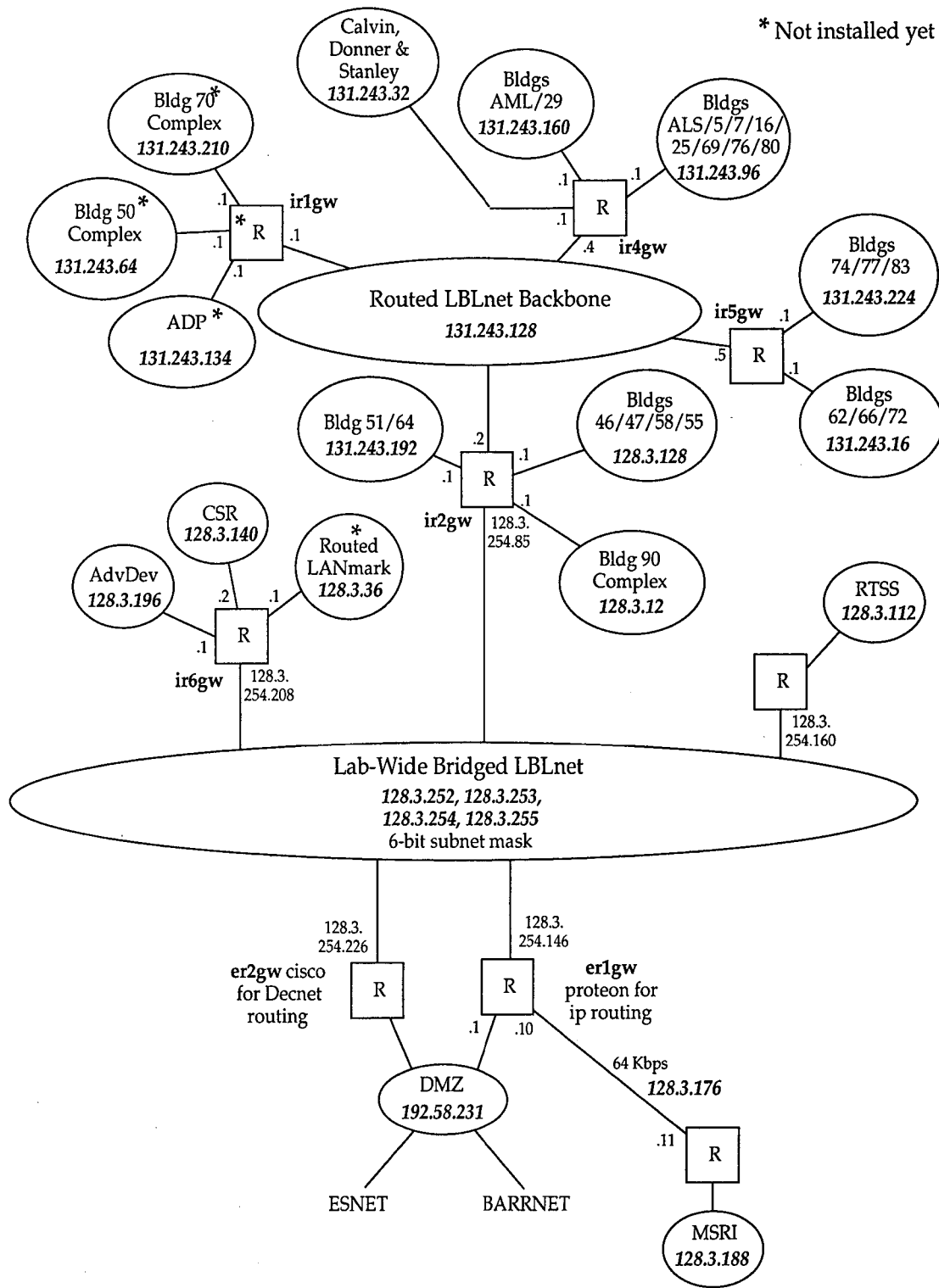
*Packet size as percentage of total packets:*

|                        |        |
|------------------------|--------|
| 64-127 byte packets    | 58.9 % |
| 128-255 byte packets   | 16.2 % |
| 256-511 byte packets   | .7 %   |
| 512-1023 byte packets  | 6.6%   |
| 1024-1518 byte packets | 17.6 % |

*Packet Type as percentage of total packets:*

|             |        |
|-------------|--------|
| LAVC        | 57.8 % |
| IP          | 33.8 % |
| DNA         | 5.4 %  |
| LAT         | 2.0 %  |
| ARP         | .2 %   |
| Bridge Mtrg | .2 %   |
| XNS         | .2 %   |
| ISO         | .0 %   |
| Other       | .4 %   |





## LBLnet Subnet Overview

R = IP Router

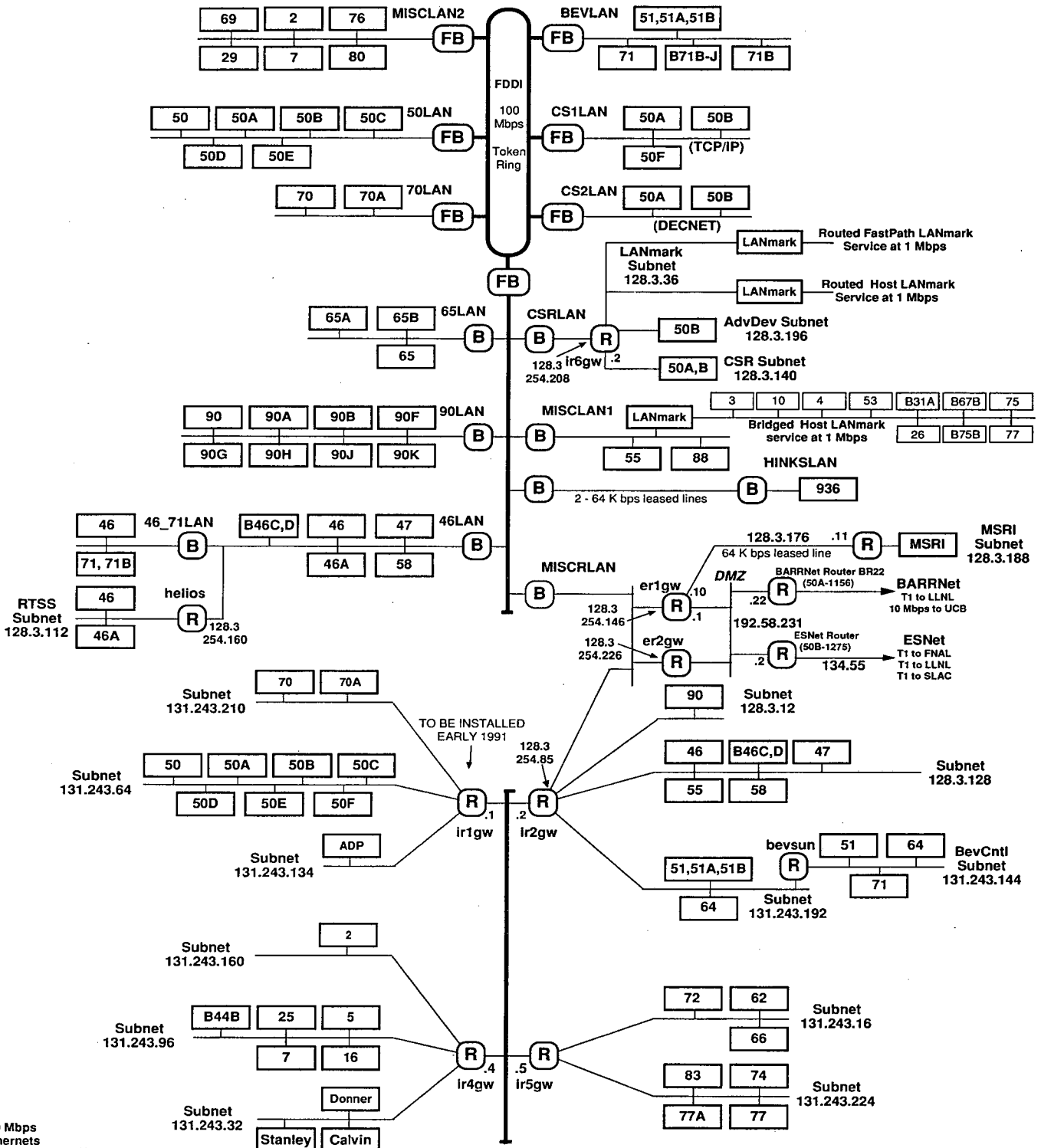
Circles Represent Routed Ethernet Subnets

Bob Fink/Craig Leres/Ted Sopher

13 December 1990

### LBLnet Bridged Backbone

128.3.252, 128.3.253,  
128.3.254, 128.3.255  
6-bit subnet mask



## Lawrence Berkeley Laboratory LBLnet Overview

R.L.Fink - Network Systems

12 December 1990

# THE WORKSTATION SCENE

'[28.1.1]



## THE MACINTOSH BIBLE THIRD EDITION

... Huzzahs from WKSG Member Tom Pope

I can't overstate the usefulness of this book. The new edition has over 360 additional (for a total of over 1100) pages of tips, tricks and *extremely* useful information for everyone from the fresh beginner to the seasoned power user. If you own a Mac you must own this book.

Published with the *Mac Bible* and sold separately are the Macintosh Bible Software Disks and the "What Do I Do Now?" Book, subtitled "What to do instead of panicking."

### The Mac Bible Software Disks

The software is provided on two disks:

- (1) The left brain disk contains practical software for keeping track of addresses, appointments and time as well as utility software for communications and disk management. A couple of these programs are worth discussing.
  - *To Do!* is a very simple desk accessory to do list that allows prioritization of items and descriptive notes.
  - *Calendar* is another simple DA that puts up a calendar above a note pad area for entering daily agendas.
  - *DisKeeper* is a powerful disk management utility for keeping track of files. It scans the selected disk, gives a report on different types of files - duplicates, orphans (files with no creator), etc. - and optionally lists or deletes them. It's very handy for listing all the files on your hard disk, though you should be sitting down when you use it - you may be shocked at how much stuff you've got.
- (2) The right brain disk contains creatively-oriented software for transferring art between documents and changing the appearance of your desktop. There's also some ready-made artwork, a font and a couple of games.

### What Do I Do Now?

The *Macintosh Bible's* "What Do I Do Now" Book is a new addition to the Mac Bible family and is a handy and welcome one. It "covers hundreds of error messages and other potential panic situations, and tells you what to do instead of panicking." First it shows you the error message exactly as it would appear on your screen, then it tells you what the problem is and finally it tells you how to deal with it calmly and rationally. It



The Workstation Group Laboratory, home of several Workstation members as well as the *Workstation Evaluation Library* is located in Bldg. 50B, Rm. 2231. The hours are:

|            |             |
|------------|-------------|
| Mon        | 8 AM - 1 PM |
|            | 3 PM - 5 PM |
| Tues - Fri | 8 AM - 5 PM |

You can also reach us from ICSD's UNIX machines or the VMS cluster by sending mail to:

UNIX or Software Tools    WKSG@lbl.gov  
VMS Mail.                lbl::WKSG

We're here to help; please call us at x6858.

doesn't include every possible error—that would take up several volumes—but it takes care of the most common ones.

The *Macintosh Bible* is an indispensable tool by itself and with the other two items it's like having a Macintosh technical assistant right on your bookshelf.

### A notice to Costco and Price Club members:

Both Costco and the Price Club are offering specials on the *Macintosh Bible*. The Price Club is offering the Mac Bible and the Mac Bible Disks for ~\$25 while Costco is offering all three items - the Bible, the disks and the What do I Do Now? book - for ~\$30. Considering that the cost of the *Macintosh Bible* alone is \$28, these are both outstanding bargains.



[28.1.2]  
**PROBLEM WITH *HANDOFF*  
 AND *PUBLIC FOLDER***

I've discovered an obscure and inhibiting interaction between *HandOff II* from Software Innovations and *Public Folder* from Claris Corp.

It seems that when running these two utilities simultaneously, my Mac locks up when someone tries to access my public folder. The only workaround is to disable one or the other utility. The good news is that you can still use *Public Folder* to fetch things from other people; you just can't publish things of your own. Just remove or rename the folder called "Public" and everything should work fine.



[28.1.3]  
**HYPERCARD CORNER**

... by HyperFan Bruce Burkhart

**Claris HyperCard 2.0 Upgrade Package**

The official Apple/Claris upgrade to HyperCard 2.0 is now available in the Workstation Lab (Bldg. 50B, Rm. 2231). Bring in your original HyperCard disks (to show proof of original ownership), a valid account number, and the upgrade is yours for \$49. The package includes

- a 30-page booklet *New Features Guide* that helps you get started, and tells you what's new with HyperCard 2.0
- *Script Language Guide*, 583 pages of detailed information about the HyperTalk scripting language for both beginners and advanced HyperCard users
- five diskettes: Installation/Program, Stacks, More Stacks, Help, and a Tour disk.

If you have any ambition to go beyond browsing (just looking at stacks), you will **need** this upgrade package. HyperCard 2.0 has such a new look and has added so many new features, documentation is absolutely necessary.

**Claris HyperCard 2.0 Developer's Package**

In late January, Claris will offer an extended set of manuals (and other aids?) for serious stack developers. Just what this new package will include is unclear at this early date. However it will be priced around \$150. Just how much more HyperCard help Claris can offer serious stackheads—for that kind of money—will be very interesting. At MacExpo next week, remember to ask a Claris representative about this new package.

**BMUG vs. Claris disks**

Several months before Claris shipped their HyperCard 2.0 Upgrade Package, the Berkeley Macintosh User's Group was selling HyperCard 2.0 (with Apple's permission) on five diskettes. Many users assumed that this set and Claris's package were the same (anyway I did). Wrong! Some differences, two worth mentioning.

First, the HyperCard 2.0 program code is somewhat larger (5K) on the Claris *Install/Program* disk. Probably not too important.

Second, the *More Stacks* disk from Claris is much bigger (35K)—more clip art?.

The *Stacks*, *Help*, and *Tour* disks are almost identical. If you purchased the BMUG disks (\$15), get the Claris Upgrade Package too—you need the documentation.

**3rd Party HyperCard 2.0 Books**

From the *Bantam Mac Performance Library* comes ***HyperTalk 2.0: The Book***. This 958-page, \$30 epic by Dan Winkler and Scot Kamins has something for everyone—beginner to advanced scripter. Although the book is aimed at scripters with a variety of expertise, the beginning chapters will appeal to a very broad audience of new HyperCard users. As you get deeper into the chapters, the more sophisticated the material becomes. ***The Book*** is not a tutorial, but rather a formal reference—highly structured—with lots of advanced material and useful appendixes. The *Claris Script Language Guide* gets you the same reference—bare bones; ***HyperTalk 2.0: The Book*** is much richer, more examples, and more material. If you can afford it—get ***The Book***.

**Last Reminder**

The **Mac Expo'91** four-day extravaganza will be held at the Moscone Center and Brooks Hall/Civic Auditorium on January 10-13. Admission (exhibits only) is \$25 at the door—cash only! See you there!

# INDEX OF COMPUTING NEWSLETTER TITLES AND KEYWORDS

JANUARY 1990 to DECEMBER 1990

| TITLES/KEYWORDS   | MO/YR           | VOL/NO       | PG |
|---|-----------------|--------------|----|
| <b>DEPARTMENTAL/DIVISIONAL MATTERS</b>  |                 |              |    |
| Class Schedule, Computer .....  | 1/90-2/90 ..... | 27/1-2 ..... | 3  |
| Class Schedule, Computer .....  | 3/90 .....      | 27/3 .....   | 27 |
| Class Schedule, Computer .....  | 4/90 .....      | 27/4 .....   | 24 |
| Class Schedule, Computer .....  | 5/90 .....      | 27/5 .....   | 27 |
| Class Schedule, Computer .....  | 6/90 .....      | 27/6 .....   | 21 |
| Class Schedule, Computer .....  | 7/90 .....      | 27/7 .....   | 8  |
| Class Schedule, Computer .....  | 8/90 .....      | 27/8 .....   | 27 |
| Class Schedule, Computer .....  | 9/90 .....      | 27/9 .....   | 4  |
| Class Schedule, Computer .....  | 10/90 .....     | 27/10 .....  | 4  |
| Class Schedule, Computer .....  | 11/90 .....     | 27/11 .....  | 35 |
| Class Schedule, Computer .....  | 12/90 .....     | 27/12 .....  | 4  |
| (New) CD ROMs At the Library .....  | 6/90 .....      | 27/6 .....   | 13 |
| <i>The Computer Library; SciTech Reference Plus; The Thomas Register</i>          |                 |              |    |
| Computer-related Books Now in the Main Library .....                              | 5/90 .....      | 27/5 .....   | 11 |
| CSA Response Time and FOCUS Usage .....   | 6/90 .....      | 27/6 .....   | 5  |
| (Library News) Database Access Service .....                                      | 5/90 .....      | 27/5 .....   | 11 |
| <i>Current Contents</i>   |                 |              |    |
| ICS Notes .....   | 4/90 .....      | 27/4 .....   | 8  |
| <i>Logging in through ICS, to the Cluster; ICS and Dialup Modems; Use x7930</i>   |                 |              |    |
| INDEX, Computing Newsletter Titles & Keywords - JAN 1989 to DEC 1989 .....        | 1/90 .....      | 21/1 .....   | 21 |
| INDEX, Computing Newsletter Titles & Keywords - JULY 1989 to JUN 1990 .....       | 7/90 .....      | 27/7 .....   | 21 |
| INDEX, Computing Newsletter Titles & Keywords - JAN 1990 to DEC 1990 .....        | 1/91 .....      | 28/1 .....   | 19 |
| INMAC Ordering .....  | 5/90 .....      | 27/5 .....   | 5  |
| (20th Annual) Institute in Computer Science .....                                 | 6/90 .....      | 27/6 .....   | 4  |
| Names & Numbers to Know .....   | ALL .....       | all .....    | x  |
| RTSS Hardware Support for Workstations .....                                      | 6/90 .....      | 27/6 .....   | 4  |
| Scientific Workstation Support .....  | 3/90 .....      | 27/3 .....   | 5  |
| <i>Computing Services &amp; Scientific Workstations;</i>                          |                 |              |    |
| <i>Advantages of Professional System Management;</i>                              |                 |              |    |
| <i>System Management: Full Support, Shared Management, and Selected Service ;</i> |                 |              |    |
| <i>UNIX Support: Example of UNIX Charges;</i>                                     |                 |              |    |
| <i>VMS Support: Example of VMS Charges; Workstation Lease Program</i>             |                 |              |    |
| Sun Software Support .....  | 4/90 .....      | 27/4 .....   | 8  |
| <i>Lab-wide support for Sun software products</i>                                 |                 |              |    |
| Trouble Mail, notes from .....  | ALL .....       | 26/x .....   | x  |
| Trouble Mail, notes from .....  | 2/90 .....      | 27/2 .....   | 7  |
| Trouble Mail, notes from .....  | 6/90 .....      | 27/6 .....   | 6  |
| Trouble Mail, notes from .....  | 7/90 .....      | 27/7 .....   | 11 |
| Trouble Mail, notes from .....  | 9/90 .....      | 27/9 .....   | 9  |
| Trouble Mail, notes from .....  | 10/90 .....     | 27/10 .....  | 10 |
| Trouble Mail, notes from .....  | 11/90 .....     | 27/11 .....  | 24 |
| Trouble Mail, notes from .....  | 12/90 .....     | 27/12 .....  | 10 |

## GRAPHICS, PRINTING & TYPESETTING NEWS

|   |             |             |    |
|---|-------------|-------------|----|
| BibTeX Updated .....  | 6/90 .....  | 27/6 .....  | 9  |
| Color and Grayscale Printing .....  | 11/90 ..... | 27/11 ..... | 6  |
| <i>Procedures for running on various hardware &amp; systems</i>           |             |             |    |
| Color PostScript Printer Available .....                                  | 3/90 .....  | 27/3 .....  | 9  |
| <i>QMS ColorScript 100 - Model 30</i>                                     |             |             |    |
| (QMS) Color LaserWriter Lore .....  | 4/90 .....  | 27/4 .....  | 4  |
| (New) Color PostScript Printer .....                                      | 8/90 .....  | 27/8 .....  | 6  |
| (Good Citizenship and the) Color Printers .....                           | 12/90 ..... | 27/12 ..... | 8  |
| (True) Color Printing (KODAK XL 7700) .....                               | 11/90 ..... | 27/11 ..... | 5  |
| DISSPLA 11.0 is Up On CSA3 .....  | 3/90 .....  | 27/3 .....  | 13 |
| DVISELECT installed on CSA .....  | 12/90 ..... | 27/12 ..... | 9  |
| DVISELECT on UX5/3/2 and CSR .....  | 11/90 ..... | 27/11 ..... | 15 |
| (Here's Version 3.2 of ATC's) GKS .....                                   | 8/90 .....  | 27/8 .....  | 4  |
| (What's in the New) Graphics/Workstation Lab .....                        | 10/90 ..... | 27/10 ..... | 9  |
| (Displaying) Graphs and Trees with LaTeX .....                            | 2/90 .....  | 27/2 .....  | 6  |
| (Correction to Displaying) Graphs and Trees with LaTeX .....              | 3/90 .....  | 27/3 .....  | 4  |
| Hardware Moves .....  | 8/90 .....  | 27/8 .....  | 6  |
| (The) HIPS Image Processing Software .....                                | 3/90 .....  | 27/3 .....  | 10 |
| IDL Available on UX5 .....  | 11/90 ..... | 27/11 ..... | 9  |
| LaTeX Calendar Generator on UX1/3/5 and CSA .....                         | 4/90 .....  | 27/4 .....  | 6  |
| MAKEINDEX: Indexing Utility for LaTeX .....                               | 11/90 ..... | 27/11 ..... | 16 |
| MAKEINDEX Correction .....  | 12/90 ..... | 27/12 ..... | 9  |
| (Computer Driven) Movie-Making System .....                               | 10/90 ..... | 27/10 ..... | 9  |
| PIC Ditroff Preprocessor Available via Iroff .....                        | 6/90 .....  | 27/6 .....  | 9  |
| PostScript Figures in TeX Documents on CSA .....                          | 5/90 .....  | 27/5 .....  | 9  |
| PostScript Previewers on Sun Workstations .....                           | 8/90 .....  | 27/8 .....  | 7  |
| Tektronix 4693 Impending Upgrade .....                                    | 6/90 .....  | 27/6 .....  | 12 |
| TELL-A-GRAF 6.1 .....   | 6/90 .....  | 27/6 .....  | 12 |
| (New Version of) TeX and LaTeX on CSA and UNIX .....                      | 7/90 .....  | 27/7 .....  | 6  |
| (Large Memory Versions of) TeX and LaTeX Available on CSA .....           | 9/90 .....  | 27/9 .....  | 5  |
| (Large Memory Versions of) TeX and LaTeX Available on UX5/1/3 & CSR ..... | 10/90 ..... | 27/10 ..... | 7  |
| (PostScript Figures in) TeX Documents on CSA .....                        | 5/90 .....  | 27/5 .....  | 9  |
| TeX Macro Package (PHYZZX) Available on CSA .....                         | 9/90 .....  | 27/9 .....  | 5  |
| Troff-to-LaTeX Converter Available on UNIX and CSA .....                  | 7/90 .....  | 27/7 .....  | 6  |
| (UNIX for VMS Users) Available .....                                      | 9/90 .....  | 27/9 .....  | 6  |
| (Support for the) X WINDOW System .....                                   | 3/90 .....  | 27/3 .....  | 8  |
| Using (\PROTECT) in LaTeX .....   | 5/90 .....  | 27/5 .....  | 10 |
| XDV: TeX Screen Previewer on UX5/3/1, CSA, CSB, and CSR .....             | 11/90 ..... | 27/11 ..... | 15 |
| XDVI and TEXX .....   | 6/90 .....  | 27/6 .....  | 9  |
| X WINDOW Display Server on Macintosh .....                                | 3/90 .....  | 27/3 .....  | 9  |
| X WINDOW Display Servers on Macintosh .....                               | 11/90 ..... | 27/11 ..... | 5  |

## NEWS of MATH LIBRARIES & PRODUCTS

|  |              |              |      |
|--|--------------|--------------|------|
| IMSL Libraries: New Interactive Documentation Facility ..... | 4,5/90 ..... | 27/4,5 ..... | 5,10 |
| IMSL Libraries Updated on CSA .....                          | 7/90 .....   | 27/7 .....   | 7    |
| MATHEMATICA Upgraded on UX5 .....                            | 7/90 .....   | 27/7 .....   | 7    |
| NAG Library on CSA Updated to Mark 14 .....                  | 10/90 .....  | 27/10 .....  | 8    |
| (New Version of) NAG on CSA .....                            | 4/90 .....   | 27/4 .....   | 5    |
| SPSS 4.0 Now on CSA .....                                    | 10/90 .....  | 27/10 .....  | 8    |
| SPSS Users: Circle November 11 on your Calendars .....       | 11/90 .....  | 27/11 .....  | 14   |
| (The) VT1 Transparency Queue .....                           | 7/90 .....   | 27/7 .....   | 7    |

*vt1t*

## GENERAL NEWS

|  |             |             |    |
|--|-------------|-------------|----|
| 4208 Looking for a Home .....  | 2/90 .....  | 27/2 .....  | 4  |
| (Brief Introduction to) ANSI Standard Fortran-90 .....   | 5/90 .....  | 27/5 .....  | 6  |
| <i>Questionnaire on Pg. 7/8</i>  |             |             |    |
| (News About the) Cluster .....   | 2/90 .....  | 27/2 .....  | 5  |
| <i>DEC 6420 (CSA1 &amp; 2); DEC 6410 (CSA3); Bitnet on CSA3; FLINT on CSA3; MFE via ESnet</i>  |             |             |    |
| CRAY User Group Meeting .....  | 2/90 .....  | 27/2 .....  | 4  |
| (A Note on) Dialing into the ICS Modems .....  | 5/90 .....  | 27/5 .....  | 6  |
| Cryptic Crossword .....  | 5/90 .....  | 27/5 .....  | 19 |
| Cryptic Crossword .....  | 6/90 .....  | 27/6 .....  | 17 |
| Cryptic Crossword .....  | 7/90 .....  | 27/7 .....  | 17 |
| Cryptic Crossword .....  | 8/90 .....  | 27/8 .....  | 17 |
| Cryptic Crossword .....  | 9/90 .....  | 27/9 .....  | 17 |
| Cryptic Crossword .....  | 10/90 ..... | 27/10 ..... | 19 |
| Cryptic Crossword .....  | 11/90 ..... | 27/11 ..... | 27 |
| Cryptic Crossword .....  | 12/90 ..... | 27/12 ..... | 21 |
| (Computing Services) Document Facility .....   | 6/90 .....  | 27/6 .....  | 9  |
| dBASE IV on VMS and UNIX?? ( <i>Deane Merrill</i> ) .....  | 11/90 ..... | 27/11 ..... | 20 |
| (Send) FAX Via E-mail .....  | 10/90 ..... | 27/10 ..... | 7  |
| FOCUS Class in June ( <i>Advanced Reporting - Course #202</i> ) .....  | 6/90 .....  | 27/6 .....  | 5  |
| FOCUS Meeting May 9 .....  | 5/90 .....  | 27/5 .....  | 5  |
| <i>Toolkit II demo</i>   |             |             |    |
| FOCUS News: Place your Stock Catalog Orders On-line .....  | 8/90 .....  | 27/8 .....  | 8  |
| FOCUS News: Toolkit Users Meeting; FOCUS Class in November .....   | 11/90 ..... | 27/11 ..... | 12 |
| FORTRAN Extended (Users' Responses to the Questionnaire) .....   | 8/90 .....  | 28/8 .....  | 11 |
| (CSA Response Time and) FOCUS Usage .....  | 6/90 .....  | 27/6 .....  | 5  |
| FORTRAN LINT Upgrade on CSA3 .....   | 4/90 .....  | 27/4 .....  | 6  |
| Gene Construction Kit (GCK) .....  | 5/90 .....  | 27/5 .....  | 5  |
| IBM's RISC System 6000: A Closer Look .....  | 12/90 ..... | 27/12 ..... | 7  |
| Monitoring Batch Jobs on CSA .....   | 11/90 ..... | 27/11 ..... | 13 |
| PC/FOCUS .....   | 1/90 .....  | 27/1 .....  | 4  |
| (Accessing and Using) Particle Physics Databases .....   | 9/90 .....  | 27/9 .....  | 7  |
| <i>SLAC Particle Physics Databases; QSPIRES Access to SLAC/SPIRES</i>  |             |             |    |
| Physics News .....   | 1/90 .....  | 27/1 .....  | 8  |
| <i>Physics Utilities, Help, APS_WHATS_NEW, CERN Library, COJETS, GARFIELD, GEANT, HBOOK3/4, JETSET72, PAW, TOPDRAWER</i>   |             |             |    |
| Physics News .....   | 2/90 .....  | 27/2 .....  | 10 |
| <i>Physics Utilities, Help, APS_LaTeX, APS_WHATS_NEW, CERN Library, COJETS, GARFIELD, GEANT, HBOOK3/4, JETSET72, PAW, TOPDRAWER</i>  |             |             |    |
| Physics News .....   | 3/90 .....  | 27/3 .....  | 14 |
| <i>Physics Utilities, CERN Libraries for UNIX Systems &amp; Others, HELP, APS_LaTeX, APS_WHATS_NEW, CERN Library, COJETS, GARFIELD, GEANT, JETSET72, PAW, TOPDRAWER</i>                            |             |             |    |
| (News Of) Physics Libraries .....  | 4/90 .....  | 27/4 .....  | 11 |
| <i>Physics Utilities, Help, CERN Libraries for UNIX Systems &amp; Others, HELP, APS_LaTeX, APS_WHATS_NEW, CERN Library, CMZ, CPC, DISPLAY5, GARFIELD, GEANT, JETSET72 &amp; 64, PAW, TOPDRAWER</i> |             |             |    |
| (News Of) Physics Libraries .....  | 5/90 .....  | 27/5 .....  | 12 |
| <i>Physics Utilities, Help, CERN Libraries for UNIX Systems &amp; Others, HELP, APS_LaTeX, APS_WHATS_NEW, CMZ, CPC, DISPLAY5, GEANT, PAW, TOPDRAWER</i>  |             |             |    |
| (News Of) Physics Libraries .....  | 6/90 .....  | 27/6 .....  | 14 |
| <i>Physics Utilities, Help, CERN Libraries for UNIX Systems &amp; Convex Machines, HELP, APS_LaTeX, APS_WHATS_NEW, CERN Library, CMZ, CPC, DISPLAY5, GEANT, PAW, TOPDRAWER</i>                     |             |             |    |
| (News Of) Physics Libraries .....  | 7/90 .....  | 27/7 .....  | 9  |
| <i>Physics Utilities, Help, CERN Libraries for UNIX Systems &amp; Convex Machines, HELP, APS_LaTeX, APS_WHATS_NEW, CERN Library, CERN_NEWS, CPC, GEANT, PAW.</i>                                   |             |             |    |

|  |             |             |    |
|--|-------------|-------------|----|
| (News Of) Physics Libraries .....  | 8/90 .....  | 27/8 .....  | 14 |
| <i>Physics Utilities, CERN Libraries for UX5. -- ON CSA: HELP, APS_LaTeX, APS_WHATS_NEW, CERN Library, CERN_NEWS, COJETS, CPC, GEANT, HERWIG, HERWIG45, JETSET73, PAW.</i>                               |             |             |    |
| (News Of) Physics Libraries .....  | 9/90 .....  | 27/9 .....  | 14 |
| <i>ON UX5: CERN Library, PAW. -- ON CSA: Physics Utilities, HELP, APS_LaTeX, APS_WHATS_NEW, CERN Library, CERN_NEWS, CPC, GEANT, HERWIG45, JETSET73, PAW.</i>  |             |             |    |
| (News Of) Physics Libraries .....  | 10/90 ..... | 27/10 ..... | 9  |
| <i>ON UX5: CERN Library, PAW, GEANT. -- ON CSA: Physics Utilities, HELP, APS_LaTeX, APS_WHATS_NEW, CERN Library, CERN_NEWS, CPC, GKS, GEANT, PAW.</i>  |             |             |    |
| (News Of) Physics Libraries .....  | 11/90 ..... | 27/11 ..... | 21 |
| <i>ON UX5 and STARDENT: CERN Library, PAW, GEANT. -- ON CSA: Physics Utilities, HELP, APS_LaTeX, APS_WHATS_NEW, CERN Library, CERN_NEWS, CPC, FOR_STRUCT, GKS, GEANT, PAW.</i>                           |             |             |    |
| (News Of) Physics Libraries .....  | 12/90 ..... | 27/12 ..... | 13 |
| <i>ON UX5 and STARDENT: CERN Library, PAW, GEANT. -- ON CSA: Physics Utilities, HELP, APS_LaTeX, APS_WHATS_NEW, CERN Library, CERN_NEWS, CPC, CSPACK, DISPLAY5, FOR_STRUCT, GKS, GEANT, HERWIG, PAW.</i> |             |             |    |
| UNIX FOCUS .....   | 1/90 .....  | 27/1 .....  | 4  |
| VAX FOCUS .....  | 1/90 .....  | 27/1 .....  | 4  |

## NETWORKING NEWS

|  |             |             |    |
|--|-------------|-------------|----|
| Lab-Wide LBLnet News .....   | 1/90 .....  | 27/1 .....  | 6  |
| <i>Buildings Added to LBLnet, LBLnet Connected to ESnet for HEPnet Decnet service; LBLnet Phase II Building Schedule Update; Network Traffic Data for November 1989</i>  |             |             |    |
| LBLnet News .....  | 2/90 .....  | 27/2 .....  | 12 |
| <i>Buildings Added to LBLnet; ESnet Connectivity Continues to Grow; Network Traffic Data for December 1989; LBLnet Phase II Building Schedule Update</i>   |             |             |    |
| LBLnet News .....  | 3/90 .....  | 27/3 .....  | 16 |
| <i>Buildings Added to LBLnet; LBLnet Phase II Building Schedule Update; Kinetics FastPath Limitation Soon to be Fixed; Network Traffic Data for January, 1990</i>  |             |             |    |
| LBLnet News .....  | 4/90 .....  | 27/4 .....  | 14 |
| <i>Buildings Added to LBLnet; LBLnet Phase II Building Schedule Update; Kinetics FastPath Limitation; AppleTalk/LocalTalk Networks as Part of LBLnet; NAT EtherMeter System; Network Traffic Data for January, 1990; Bridged Backbone Statistics</i> |             |             |    |
| LBLnet News .....  | 5/90 .....  | 27/5 .....  | 14 |
| <i>LBLnet Phase II Building Schedule Update; Kinetics FastPath Limitation; AppleTalk/LocalTalk Networks as Part of LBLnet; FDDI Bridged Backbone Field Test; Network Traffic Data, 1990; 50LAN Statistics</i>  |             |             |    |
| LBLnet News .....  | 6/90 .....  | 27/6 .....  | 19 |
| <i>LBLnet Phase II Building Schedule Update; Stanley Hall on LBLnet; FDDI Bridged Backbone Field Test; Network Traffic Data; 50LAN Statistics</i>  |             |             |    |
| LBLnet News .....  | 7/90 .....  | 27/7 .....  | 14 |
| <i>LBLnet Phase II Building Schedule Update; Stanley Hall on LBLnet; FDDI Bridged Backbone Field Test; Network Traffic Data; GOSIP and ISO OSI Status Report</i>   |             |             |    |
| LBLnet News .....  | 8/90 .....  | 27/8 .....  | 12 |
| <i>Stanley Hall on LBLnet; Network Traffic Data; FDDI Supplier Now Public Information; Bevelac Bridged LAN to Split</i>  |             |             |    |
| LBLnet News .....  | 9/90 .....  | 27/9 .....  | 12 |
| <i>Stanley Hall on LBLnet; Decnet Routing on LBLnet; EtherMeter Project Moving Ahead; FDDI Bridged Backbone Performance Information; Network Traffic Data</i>  |             |             |    |
| LBLnet News .....  | 10/90 ..... | 27/10 ..... | 16 |
| <i>Kinetics (Shiva) FastPath Maintenance; Network Traffic Data</i>   |             |             |    |
| LBLnet News .....  | 11/90 ..... | 27/11 ..... | 17 |
| <i>IP Number Shortage Ahead; Network Traffic Data</i>  |             |             |    |



|   |             |             |    |
|---|-------------|-------------|----|
| LBLnet News .....   | 12/90 ..... | 27/12 ..... | 17 |
| <i>IP Number Shortage Averted; A BARRnet Router at LBL; FDDI Bridged Backbone Back in Operation; Traffic Data</i> |             |             |    |
| FDDI Bridged Backbone .....   | 5/90 .....  | 27/5 .....  | 17 |
| FDDI Bridged Backbone .....   | 6/90 .....  | 27/6 .....  | 20 |
| LBLnet Bridged Backbone .....   | 2/90 .....  | 27/2 .....  | 13 |
| LBLnet Bridged Backbone .....   | 3/90 .....  | 27/3 .....  | 18 |
| LBLnet Bridged Backbone .....   | 4/90 .....  | 27/4 .....  | 16 |
| LBLnet Bridged Backbone .....   | 5/90 .....  | 27/5 .....  | 16 |
| LBLnet Bridged Backbone .....   | 7/90 .....  | 27/7 .....  | 15 |
| LBLnet Bridged Backbone .....   | 8/90 .....  | 27/8 .....  | 13 |
| LBLnet Bridged Backbone .....   | 9/90 .....  | 27/9 .....  | 13 |
| LBLnet Bridged Backbone .....   | 10/90 ..... | 27/10 ..... | 13 |
| LBLnet Bridged Backbone .....   | 11/90 ..... | 27/11 ..... | 19 |
| LBLnet Bridged Backbone .....   | 12/90 ..... | 27/12 ..... | 18 |
| LBLnet Subnets .....  | 11/90 ..... | 27/11 ..... | 18 |
| LBLnet Subnets .....  | 12/90 ..... | 27/12 ..... | 19 |
| TechMail: E-mail on the Mac .....   | 6/90 .....  | 27/6 .....  | 10 |

## UNIX NEWS

|   |             |             |    |
|---|-------------|-------------|----|
| BLSS .....  | 7/90 .....  | 27/7 .....  | 5  |
| <E-MESSAGES>- Lite E-mail on Macintosh .....                    | 10/90 ..... | 27/10 ..... | 6  |
| Formatting Data for CD-ROMs .....                               | 10/90 ..... | 27/10 ..... | 5  |
| <i>(Hard Rock or Hard Data)</i>                                 |             |             |    |
| Imagen 3320 Turbo Imageserver XP LaserPrinter (11" x 17") ..... | 1/90 .....  | 27/1 .....  | 5  |
| Lower Rates for MacDUMPS .....                                  | 3/90 .....  | 27/3 .....  | 4  |
| Scientific Workstations in the Training Room .....              | 10/90 ..... | 27/10 ..... | 5  |
| <SINCE> - A New UNIX Command .....                              | 8/90 .....  | 27/8 .....  | 10 |
| Sun FORTRAN 1.3 .....   | 7/90 .....  | 27/7 .....  | 5  |
| Sun FORTRAN 1.3.1 .....   | 8/90 .....  | 27/8 .....  | 9  |
| Sun SLCs Available .....  | ??          |             |    |
| TN3270 Installed on UX5, CSR and CSR Clients .....              | 12/90 ..... | 27/12 ..... | 6  |
| UX5, a Powerful UNIX System .....                               | 1/90 .....  | 27/1 .....  | 5  |
| VMS Tools on UNIX .....   | 1/90 .....  | 27/1 .....  | 5  |
| VAX/VMS Library Emulation on Sun UNIX System .....              | 8/90 .....  | 27/8 .....  | 9  |
| <i>LIBR8</i>  |             |             |    |

## VMS NEWS

|  |            |            |    |
|--|------------|------------|----|
| (New) MATHEMATICA Release (V. 1.2) .....           | 3/90 ..... | 27/3 ..... | 4  |
| MATHEMATICA Conference .....                       | 1/90 ..... | 27/1 ..... | 10 |
| VAX/VMS Library Emulation on Sun UNIX System ..... | 8/90 ..... | 27/8 ..... | 9  |
| <i>LIBR8</i>                                       |            |            |    |

## WORKSTATION GROUP

|  |            |            |    |
|--|------------|------------|----|
| Address Book: Electronic Rolodex .....                                 | 9/90 ..... | 27/9 ..... | 21 |
| AntiToxin V1.3: Virus Decontamination and Protection for the Mac ..... | 5/90 ..... | 27/5 ..... | 23 |
| APDA (Apple Programmers and Developers Association) .....              | 1/90 ..... | 27/1 ..... | 19 |
| (New) Apple LaserWriter .....  | 8/90 ..... | 27/8 ..... | 24 |
| Apple New Products Demo .....  | 6/90 ..... | 27/6 ..... | 26 |
| <i>MacIIfx, video controller cards, AUX 2.0</i>                        |            |            |    |
| (New) Apple Prices .....   | 6/90 ..... | 27/6 ..... | 28 |

|   |             |             |       |
|---|-------------|-------------|-------|
| Ashton Tate Demos in January (Jan 17 & Jan 24) .....  | 1/90 .....  | 27/1 .....  | 11    |
| Ashton Tate News .....  | 8/90 .....  | 27/8 .....  | 19    |
| <i>dBASE IV 1.1, FullImpact 2.0, Control Room 1.0</i>   |             |             |       |
| Asynchronous Data Interface (ADI) boxes .....   | 5/90 .....  | 27/5 .....  | 21    |
| <i>Login Examples for PC and Mac</i>  |             |             |       |
| Axum: Statistics & Plotting .....   | 10/90 ..... | 27/10 ..... | 23    |
| (Think) Backup. Think Prevention. Think Recovery .....  | 3/90 .....  | 27/3 .....  | 22    |
| <i>Fastback Plus; Mace Utilities Version 1990</i>   |             |             |       |
| Back Up Your Mac Hard Disks Over LBLnet .....   | 9/89 .....  | 26/9 .....  | 7     |
| <i>MacDUMPS</i>   |             |             |       |
| (User Groups and) Bulletin Boards .....   | 1/90 .....  | 27/1 .....  | 12    |
| Buying a Computer .....   | 1/90 .....  | 27/1 .....  | 12    |
| <i>IBMs, Macs, MS-DOS Compatibles; Apple Student Loan-to-own Program</i>  |             |             |       |
| CD ROM Shared Volumes .....   | 1/90 .....  | 27/1 .....  | 17    |
| CD ROM Shared Volumes .....   | 3/90 .....  | 27/3 .....  | 25    |
| Claris CAD Update (to Version 1.0v5) .....  | 6/90 .....  | 27/6 .....  | 26    |
| Claris Graphics Translator Reviewed .....   | 1/90 .....  | 27/1 .....  | 13/14 |
| <i>Mark Dedlow, Tom Swain</i>   |             |             |       |
| Claris Tricks: the "Claris" folder; Common Dictionaries.....  | 1/90 .....  | 27/1 .....  | 16    |
| Claris Upgrades .....   | 10/90 ..... | 27/10 ..... | 25    |
| <i>Claris CAD 2.0; Claris FileMaker Pro</i>   |             |             |       |
| Claris Upgrades: Another Reminder .....   | 11/90 ..... | 27/11 ..... | 30    |
| <i>Claris CAD 2.0; Claris FileMaker Pro</i>   |             |             |       |
| Class Changes in 1990 .....   | 12/90 ..... | 27/12 ..... | 24    |
| (New Macintosh) Class: <i>PowerPoint</i> .....  | 9/90 .....  | 27/9 .....  | 22    |
| (Computer) Classes on the UCB Campus .....  | 6/90 .....  | 27/6 .....  | 25    |
| (Year-end) Clearance Sale .....   | 12/90 ..... | 27/12 ..... | 23    |
| (3-D) Color Scientific Visualization .....  | 11/90 ..... | 27/11 ..... | 31    |
| <i>Transform, View, Dicer, Format</i>   |             |             |       |
| <i>Complete Undelete</i> : a Mini Review .....  | 6/90 .....  | 27/6 .....  | 29    |
| Connecting to MELVYL or GLADIS with an MS-DOS PC using MS-Kermit .....  | 2/90 .....  | 27/2 .....  | 18    |
| COREL DRAW & CHARISMA ≠ Graphics Stars .....  | 10/90 ..... | 27/10 ..... | 23    |
| <i>DADiSP</i> for the DEC, Sun, PCs .....   | 4/90 .....  | 27/4 .....  | 18    |
| Data Analysis on the PC .....   | 8/90 .....  | 27/8 .....  | 21    |
| <i>MINSQ 3.1, GRAPH - a comparison</i>  |             |             |       |
| Data General Demo .....   | 2/90 .....  | 27/2 .....  | 14    |
| dBASE IV 1.1 Demo .....   | 9/90 .....  | 27/9 .....  | 20    |
| DECNET-DOS on PC/AT: Personal Experiences ( <i>from Everett Harvey</i> ) .....  | 2/90 .....  | 27/2 .....  | 16    |
| <i>Disinfectant 2.0</i> .....   | 8/90 .....  | 27/8 .....  | 24    |
| <i>GateKeeper Aid</i> .....   | 8/90 .....  | 27/8 .....  | 24    |
| (About) Disks for <i>Windows Word</i> .....   | 4/90 .....  | 27/4 .....  | 19    |
| DOS LBL Logo for PostScript Printers .....  | 3/90 .....  | 27/3 .....  | 22    |
| DOS Makeover. New Hardware, New Software .....  | 8/90 .....  | 27/8 .....  | 20    |
| <i>What works and what won't: TOPS NetPrint and Windows 3.0; TOPS batch printing</i>  |             |             |       |
| <i>DrawTools</i> and <i>Sharpen-Up</i> : Two Mac Utilities .....  | 8/90 .....  | 27/8 .....  | 23    |
| Electronic Mail, Workstation Group .....  | ALL .....   | All .....   |       |
| Electronic Field Test Proposal Agreement (FTP) Forms Package .....  | 1/90 .....  | 27/1 .....  | 15    |
| Emotional E-mail (on-line expressions) .....  | 5/90 .....  | 27/5 .....  | 22    |
| (The Workstation) Evaluation Library is On Line .....   | 2/90 .....  | 26/2 .....  | 19    |
| Evaluation Library: Top Ten .....   | 6/90 .....  | 27/6 .....  | 26    |
| <i>Mac: KaleidaGraph, DeltaGraph, Think C, Absoft MacFortran/020, Cricket Graph, Expressionist II, WingZ, Formulator, Theorist, Excellerate. PC: Word for Windows, Microsoft Word for PC, SmartTerm 240, Fastback Plus, Graph Plus, MS FORTRAN Compiler, MS Windows/286, MS Windows/386, Quick C, Zortech ...</i> |             |             |       |
| <i>C++</i>  |             |             |       |
| Excel Bug (Appleshare problems) .....   | 5/90 .....  | 27/5 .....  | 22    |
| Excel Tips: XY Graphs .....   | 1/90 .....  | 27/1 .....  | 17    |
| (Warning!) <i>Expressionist</i> and the LBL Keyboard .....  | 11/90 ..... | 27/11 ..... | 29    |

|   |              |                  |    |
|---|--------------|------------------|----|
| (The 15th West Coast Computer) Faire .....  | 3/90 .....   | 27/3 .....       | 21 |
| FASTBACK II: Disk Backup Utility .....  | 5/90 .....   | 27/5 .....       | 24 |
| FELIX - a Better Mouse .....  | 1/90 .....   | 27/1 .....       | 18 |
| (Electronic) Field Test Proposal Agreement (FTP) Forms Package .....  | 1/90 .....   | 27/1 .....       | 15 |
| File Force: Data Management System for the Macintosh .....  | 10/90 .....  | 27/10 .....      | 24 |
| FileMaker Pro: Database Manager for the Mac .....   | 5/90 .....   | 27/5 .....       | 24 |
| FileMaker Pro: Don't Hold Your Breath .....   | 8/90 .....   | 27/8 .....       | 24 |
| FileMaker Pro is here .....   | 12/90 .....  | 27/12 .....      | 26 |
| FileMaker Tips .....  | 3/90 .....   | 27/3 .....       | 25 |
| FileMaker Version of the LBL Phonebook .....  | 10/90 .....  | 27/10 .....      | 23 |
| (LBL Phonebook) FileMaker Version .....   | 12/90 .....  | 27/12 .....      | 27 |
| Foreign Language dictionary files available for Word 5.0 .....  | 5/90 .....   | 27/5 .....       | 21 |
| Formatting floppies on the PS/2 .....   | 6/90 .....   | 27/6 .....       | 22 |
| FOR_STRUCT - A FORTRAN Structuring Utility (evaluation) .....   | 9/90 .....   | 27/9 .....       | 20 |
| (Upward & Onward I: Modified) FTP Form Templates .....  | 3/90 .....   | 27/3 .....       | 26 |
| Generous Vendors .....  | 3/90 .....   | 27/3 .....       | 10 |
| <i>(Altsys, Fifth Generation, Kent-Marsh, ParcPlace, Symantec)</i>  |              |                  |    |
| (Connecting to MELVYL or) GLADIS with an MS-DOS PC using MS-Kermit .....  | 2/90 .....   | 27/2 .....       | 18 |
| GRAMMATIK MAC .....   | 6/90 .....   | 27/6 .....       | 27 |
| (TeX) Graphics Program for the Mac ( <i>LaGrafix</i> ) .....  | 1/90 .....   | 27/1 .....       | 15 |
| Graphics Seminar in March .....   | 2,3/90 ..... | 17/2,3 ... 14/19 |    |
| (Here's) GRAPH PLUS .....   | 1/90 .....   | 27/1 .....       | 11 |
| (SHORTCUT and) HANDOFF .....  | 4/90 .....   | 27/4 .....       | 21 |
| Hardware Lockups for your Mac .....   | 8/90 .....   | 27/8 .....       | 23 |
| Hewlett Packard Discount on Personal Purchase .....   | 1/90 .....   | 27/1 .....       | 11 |
| Hewlett Packard LaserJet III (prices come down) .....   | 4/90 .....   | 27/4 .....       | 21 |
| (Handy) Hint: Moving a Word File into PowerPoint .....  | 9/90 .....   | 27/9 .....       | 21 |
| (What is) HyperCard ( <i>Ask Dr. Micro</i> ) .....  | 2/90 .....   | 27/2 .....       | 22 |
| <i>(Wheels for the Mind) new stacks; good reading; tip of the month</i>   |              |                  |    |
| HyperCard Interface to UNIX .....   | 2/90 .....   | 27/2 .....       | 22 |
| HyperCard/MultiMedia Corner .....   | 1/90 .....   | 27/1 .....       | 19 |
| <i>Custom Developer Booklet; Multimedia Seminars; Ford Simulator II disk</i>  |              |                  |    |
| HyperCard/MultiMedia Corner .....   | 2/90 .....   | 27/2 .....       | 23 |
| <i>AppleFest '89; BMUG Feb90 Calendar; HyperTalk Beginner's Guide</i>   |              |                  |    |
| HyperCard/MultiMedia Corner .....   | 3/90 .....   | 27/3 .....       | 26 |
| <i>E-mail Help Stack is coming; BMUG March '90 Calendar; Farallone &amp; MacroMind products</i>   |              |                  |    |
| HyperCard Corner .....  | 4/90 .....   | 27/4 .....       | 23 |
| <i>HyperCard 2.0; MacExpo 90; new Mac users and HyperCard; E-mail Help Stack series, Conus stack upgrade, Ford Simulator II upgrade</i>   |              |                  |    |
| HyperCard Corner .....  | 5/90 .....   | 27/5 .....       | 25 |
| <i>MacExpo 90 - a quick review; HyperCard; Products at MacExpo '90; E-mail Help Stack .</i>   |              |                  |    |
| HyperCard Corner .....  | 6/90 .....   | 27/6 .....       | 29 |
| <i>HyperCard 2.0 getting closer; HyperFTP; Apple Support CD ROM; Apple's TrueType Info Stack; BMUG's PD-ROM Vol. 2; BMUG's Survival HyperCard Stack; QuickCard; E-Mail Help Stack v1.0 is shipping; Introduction to E-Mail at LBL</i> |              |                  |    |
| HyperCard Corner .....  | 7/90 .....   | 27/7 .....       | 19 |
| <i>BMUG Winter/Spring '90 Newsletter; ScriptEdit - a commentary; Flash-it; Moving Fonts into a Stack; MultiMedia Review; Quick Compactor.</i>   |              |                  |    |
| HyperCard Corner .....  | 8/90 .....   | 27/8 .....       | 24 |
| <i>HyperCard 2.0 -- Oct shipping date?; Distribution of HyperCard 2.0; RAM Memory Minder ... again; BMUG's PD-ROM Volume 2 is late; QuickMail Help Stack; HyperCard Spelling checker; Mac and HyperCard Resources.</i>                |              |                  |    |
| HyperCard Corner .....  | 9/90 .....   | 27/9 .....       | 22 |
| <i>HyperCard 2.0 -- some news; RAM memory upgrade; MultiMedia Review -- revisited; MultiMedia Expo -- October 1990; the Diskette Gazette; BMUG News; AHUG; Media Tracks; TOOLBOOK -- PC software construction set for Windows.</i>    |              |                  |    |

|  |             |             |    |
|--|-------------|-------------|----|
| HyperCard Corner .....   | 10/90 ..... | 27/10 ..... | 26 |
| <i>HyperCard 2.0 --the saga ends??: Mac RAM memory upgrade time; HyperSpeller;<br/>2-D Animation for HyperCard 2.0 (ADDmotion); DB/Write 7 Word Processing XCMD for HyperCard 2.0;<br/>MultiMedia Expo ... a final reminder.</i> |             |             |    |
| HyperCard Corner .....   | 11/90 ..... | 27/11 ..... | 32 |
| <i>HyperCard 2.0 -- a new ballgame; LBL Distribution; HyperCard 2.0 .... a first look;<br/>the 3rd MultiMedia Expo ... a mini-review; Seybold ... a few comments; Need more memory? HyperC 4.0.</i>                              |             |             |    |
| HyperCard Corner .....   | 12/90 ..... | 27/12 ..... | 27 |
| <i>HyperCard 2.0 --the Apple version; Converting stacks; BMUG Membership Special.</i>  |             |             |    |
| IBM LaserJet IIP: Power Supply Problem .....   | 11/90 ..... | 27/11 ..... | 29 |
| IN/OUT-- People-tracking Software .....  | 1/90 .....  | 27/1 .....  | 18 |
| (INTERFACING) -- A Review .....  | 2/90 .....  | 27/2 .....  | 15 |
| JMP - Interactive Statistics and Graphical Data Analysis on the Mac .....  | 6/90 .....  | 27/6 .....  | 28 |
| Lab Hours During Mac Expo.....   | 4/90 .....  | 27/4 .....  | 16 |
| LaGrafix, TeX Graphics Program for the Mac .....   | 1/90 .....  | 27/1 .....  | 15 |
| LBL Letterhead for the PC .....  | 9/90 .....  | 27/9 .....  | 20 |
| (Hardware) Lockups for your Mac .....  | 8/90 .....  | 27/8 .....  | 23 |
| LOTUS 1-2-3 Release 3 Update .....   | 6/90 .....  | 27/6 .....  | 22 |
| (Initializing) Laser Printers .....  | 4/90 .....  | 27/4 .....  | 20 |
| OBJECTWORKS for the Sun, Mac, PCs .....  | 4/90 .....  | 27/4 .....  | 18 |
| <i>Object-Oriented Programming</i>   |             |             |    |
| Onward & Upward II: LBL Fonts .....  | 3/90 .....  | 27/3 .....  | 26 |
| LBL Fonts V.3 - At Last!.....  | 1/90 .....  | 27/1 .....  | 14 |
| (Electronic) LBL Phonebook .....   | 3/90 .....  | 27/3 .....  | 19 |
| <i>On CSA Cluster; On a PC or Compatible; On a Mac; PC access to 3COM 3+ network</i>   |             |             |    |
| (DOS LBL) Logo for PostScript Printers.....  | 3/90 .....  | 27/3 .....  | 22 |
| Lunchtime Workshops for the Mac and the PC .....   | 3/90 .....  | 27/3 .....  | 20 |
| Lunchtime Workshops for the Mac and the PC .....   | 4/90 .....  | 27/4 .....  | 19 |
| Lunchtime Workshops for the Mac and the PC .....   | 5/90 .....  | 27/5 .....  | 22 |
| Lunchtime Workshops for the Mac and the PC .....   | 6/90 .....  | 27/6 .....  | 25 |
| Lunchtime Workshops for the Macintosh and for the PC.....  | 7/90 .....  | 27/7 .....  | 17 |
| Lunchtime Workshops for the Macintosh and for the PC.....  | 8/90 .....  | 27/8 .....  | 23 |
| Mac and IBM PC Training at LBL .....   | 7/90 .....  | 27/7 .....  | 17 |
| Mac & PC: Sharing Data .....   | 10/90 ..... | 27/10 ..... | 22 |
| MacIIci/MacWrite Problem ( <i>SpellChecker</i> ).....  | 2/90 .....  | 27/2 .....  | 20 |
| MacIIci and Portable Compatibility .....   | 2/90 .....  | 27/2 .....  | 20 |
| (New) Mac (Lunch hour) Classes/Forums.....   | 1/90 .....  | 27/1 .....  | 16 |
| (New) Mac (Lunch hour) Classes/Forums.....   | 2/90 .....  | 27/1 .....  | 14 |
| (The) Mac Doctor .....   | 4/90 .....  | 27/4 .....  | 20 |
| <i>What to do before calling for help</i>  |             |             |    |
| Mac Hard Disk Problems .....   | 3/90 .....  | 27/3 .....  | 26 |
| (New Apple Products: the) Macintosh IIfx.....  | 4/90 .....  | 27/4 .....  | 21 |
| <i>Also New Video Cards, System 6.0.5, Compatibility Issues, Apple'sExtended Warranty</i>  |             |             |    |
| (New) Mac Models .....   | 11/90 ..... | 27/11 ..... | 30 |
| <i>Macintosh Classic, Macintosh LC, Macintosh IIsi</i>   |             |             |    |
| MacWORLD Exposition April 11, 12, 13.....  | 3/90 .....  | 27/3 .....  | 25 |
| MacFlow - Flowcharting on the Mac .....  | 6/90 .....  | 27/6 .....  | 27 |
| Macintosh Engineering/Scientific Forum Jan. 26 .....   | 1/90 .....  | 27/1 .....  | 10 |
| (The) Macintosh LC .....   | 12/90 ..... | 27/12 ..... | 25 |
| Macintosh Promotional Bundles on Sale Oct 15 - Dec 14, 1990 .....  | 12/90 ..... | 27/12 ..... | 24 |
| MacSchedule -- Schedule Development Software .....   | 5/90 .....  | 27/5 .....  | 23 |
| Mac Screen Saver (Holiday Stocking Stuffer) .....  | 12/90 ..... | 27/12 ..... | 23 |
| Mac Text Indexer .....   | 8/90 .....  | 27/8 .....  | 23 |
| <i>Sonar Bookends</i>  |             |             |    |
| (Norton vs.) MacTools: Two Evaluations .....   | 10/90 ..... | 27/10 ..... | 25 |
| Mac IIfx Upgrade Option .....  | 8/90 .....  | 27/8 .....  | 24 |
| Mac World EXPO '91 .....   | 12/90 ..... | 27/12 ..... | 26 |

|   |       |       |    |
|---|-------|-------|----|
| <i>MacWrite II 1.1 Upgrade</i> .....  | 4/90  | 27/4  | 22 |
| <i>MAPLE for the Sun, Mac, PCs</i> .....  | 4/90  | 27/4  | 18 |
| Medical Articles via the MELVYL Catalog .....   | 2/90  | 27/2  | 17 |
| (Get More) Memory .....   | 4/90  | 27/4  | 20 |
| Microsoft Demo: New PC Products .....   | 7/90  | 27/7  | 16 |
| (Microsoft) <i>PowerPoint 2.01</i> versus <i>Aldus Persuasion 2.0</i> .....                       | 7/90  | 27/7  | 18 |
| Microsoft <i>Word 4.0</i> Workshops on the Macintosh .....  | 1/90  | 27/1  | 15 |
| Microsoft <i>Word for Windows</i> .....   | 9/90  | 27/9  | 20 |
| (Connecting to MELVYL or GLADIS with an) MS-DOS PC using MS-Kermit .....                          | 2/90  | 27/2  | 18 |
| <i>(Ask Dr. Micro)</i>  |       |       |    |
| (A Clean) Mouse is a Happy Mouse .....  | 5/90  | 27/5  | 25 |
| <i>MULTICLIP</i> : a review .....   | 12/90 | 27/12 | 25 |
| <i>Norton vs. MacTools</i> : Two Evaluations .....  | 10/90 | 27/10 | 25 |
| On-line Access to Newsletter Articles .....   | 2/90  | 27/2  | 19 |
| (What's in a) <i>PAINT</i> .....  | 1/90  | 27/1  | 11 |
| <i>Microsoft Paintbrush 4.0; PC Paintbrush IV</i>   |       |       |    |
| (New) PC Class: Basic <i>Word for Windows</i> .....   | 9/90  | 27/9  | 19 |
| (Two New) PC Products from Ashton-Tate .....  | 3/90  | 27/3  | 22 |
| <i>Applause II; Control Room</i>  |       |       |    |
| (New) PC Utilities .....  | 1/90  | 27/1  | 12 |
| <i>PCBrowse; hDc Windows Express; hDc Windows Manager; PROMPT!; Simple Win</i>                    |       |       |    |
| Performance/Progress Review (P/PR) forms for Microsoft <i>Word 4.0</i> .....                      | 6/90  | 27/6  | 26 |
| <i>Also for MacWrite &amp; MacDraw</i>  |       |       |    |
| P/PR Workshop June 11 .....   | 6/90  | 27/6  | 26 |
| <i>TechMail</i> : E-mail on the Mac .....   | 6/90  | 27/6  | 10 |
| PC Technical Word Processing in three Parts .....   | 3/90  | 27/3  | 24 |
| <i>Windows Word; WordPerfect 5.1</i>  |       |       |    |
| PC Training: Beginning <i>Windows</i> .....   | 9/90  | 27/9  | 19 |
| (Good Show!) <i>PowerPoint</i> from Microsoft .....   | 8/90  | 27/8  | 21 |
| (Handy Hint: Moving a <i>Word</i> File into) <i>PowerPoint</i> .....                              | 9/90  | 27/9  | 21 |
| (New Macintosh Class:) <i>PowerPoint</i> .....  | 9/90  | 27/9  | 22 |
| (Think Backup. Think) Prevention. Think Recovery .....  | 3/90  | 27/3  | 22 |
| <i>Fastback Plus; Mace Utilities Version 1990</i>   |       |       |    |
| <i>Public Folder</i> , Here's .....   | 2/90  | 27/2  | 19 |
| QMS <i>Colorscript 100 (QP2)</i> .....  | 7/90  | 27/7  | 18 |
| QMS - Little Print Hint .....   | 6/90  | 27/6  | 27 |
| <i>QuickMail</i> Licensing .....  | 4/90  | 27/4  | 22 |
| <i>QuickMail</i> Site License .....   | 8/90  | 27/8  | 22 |
| <i>QuickMail</i> Speaks .....   | 11/90 | 27/11 | 31 |
| <i>ReadNews</i> for Macintosh Computers .....   | 2/90  | 27/2  | 20 |
| (Think Backup. Think) Prevention. Think) Recovery .....   | 3/90  | 27/3  | 22 |
| <i>Fastback Plus; Mace Utilities Version 1990</i>   |       |       |    |
| SAS/PC for PCs .....  | 4/90  | 27/4  | 19 |
| (3-D Color) Scientific Visualization .....  | 11/90 | 27/11 | 31 |
| <i>Transform, View, Dicer, Format</i>   |       |       |    |
| Season's Readings (New Books in the WKSG Library) .....   | 1/90  | 27/1  | 19 |
| <i>The Apple Guide to Desktop Publishing - Summer 1989 - Desktop Media Collection: Publishing</i> |       |       |    |
| <i>Apple Engineering/Scientific Solutions Guide - Winter 1989/90</i>                              |       |       |    |
| <i>The World of Apple Desktop Media (Video)</i>   |       |       |    |
| <i>The Micrografx Software Catalog and ClipArt Pictorial Guide (DOS Desktop Publishing)</i>       |       |       |    |
| Scientific Plotting and Statistics for Data Analysis on the PC .....                              | 6/90  | 27/6  | 23 |
| <i>SigmaPlot 4.0; InStat 1.0; MicroStat II; Graftool 2.1</i>                                      |       |       |    |
| Screen Help for PostScript Programmers ( <i>PS Tutor</i> ) .....                                  | 3/90  | 27/3  | 22 |
| (Mac & PC) Sharing Data .....   | 10/90 | 27/10 | 22 |
| ( <i>DrawTools</i> and) <i>Sharpen-Up</i> : Two Mac Utilities .....                               | 8/90  | 27/8  | 23 |
| <i>SHORTCUT</i> and <i>HANDOFF</i> .....  | 4/90  | 27/4  | 21 |
| <i>Sigma Designs</i> - Used Monitor Special .....   | 3/90  | 27/3  | 21 |

|   |                  |                 |    |
|---|------------------|-----------------|----|
| (WKSG's) Software Evaluation Library .....                            | 6/90 .....       | 27/6 .....      | 32 |
| Solbourne Demo .....  | 12/90 .....      | 27/12 .....     | 23 |
| Statistics & Plotting .....   | 10/90 .....      | 27/10 .....     | 23 |
| <i>Axum</i>   |                  |                 |    |
| Table in <i>Word</i> for the Mac .....                                | 6/90 .....       | 27/6 .....      | 28 |
| <i>Sort, Outline</i>  |                  |                 |    |
| <i>TechMail</i> : Yet Another Mail System? .....                      | 6/90 .....       | 27/6 .....      | 29 |
| TeX Graphics Program for the Mac ( <i>LaGrfix</i> ) .....             | 1/90 .....       | 27/1 .....      | 15 |
| <i>Theorist</i> V. 1.1; <i>MATHEMATICA</i> for the rest of us .....   | 1/90 .....       | 27/1 .....      | 15 |
| 3COM Administrators' Users Group .....                                | 3/90 .....       | 27/3 .....      | 21 |
| 3-D Color Scientific Visualization .....                              | 11/90 .....      | 27/11 .....     | 31 |
| <i>Transform, View, Dicer, Format</i>                                 |                  |                 |    |
| <i>TIMBUKTU</i> 3.1 Upgrade .....                                     | 6/90 .....       | 27/6 .....      | 27 |
| Timely Tip: Fall Back (Mac Users) .....                               | 10/90 .....      | 27/10 .....     | 23 |
| Timely Tip: Fall Back (PC Users) .....                                | 10/90 .....      | 27/10 .....     | 22 |
| Timely Tip: Spring Ahead (Mac Users) .....                            | 4/90 .....       | 27/4 .....      | 19 |
| Timely Tip: Spring Ahead (PC Users) .....                             | 4/90 .....       | 27/4 .....      | 17 |
| (A Quick First Look at) TOPS 3 for Macs and PCs .....                 | 6/90 .....       | 27/6 .....      | 25 |
| TOPS 3.0 Upgrade .....  | 3/90 .....       | 27/3 .....      | 21 |
| TOPS 3.0 Upgrade .....  | 5/90 .....       | 27/5 .....      | 24 |
| Trading Post for PCs, Macs, etc .....                                 | 1/90-12/90 ..... | 26/x-27/x ..... | x  |
| Trouble Shooting the Macintosh ( <i>New Help Stack</i> ) .....        | 2/90 .....       | 27/2 .....      | 21 |
| User Groups and Bulletin Boards .....                                 | 1/90 .....       | 27/1 .....      | 12 |
| (New) Viruses Revisited .....   | 2/90 .....       | 27/2 .....      | 20 |
| <i>WDEF; Disinfectant; GateKeeper Aid; Eradicate Em</i>               |                  |                 |    |
| <i>VersaTerm</i> Upgrade .....  | 3/90 .....       | 27/3 .....      | 21 |
| (New) Viruses -- New Cures .....                                      | 1/90 .....       | 27/1 .....      | 16 |
| <i>Jude; WDEF -- Disinfectant; Gatekeeper Aid</i>                     |                  |                 |    |
| <i>V.I.P.</i> - Visual Interactive Programming .....                  | 9/90 .....       | 27/9 .....      | 21 |
| (New) VLF Monitor from Sigma Designs .....                            | 10/90 .....      | 27/10 .....     | 21 |
| Warning: Don't Copy Those Proprietary Programs! .....                 | 10/90 .....      | 27/10 .....     | 21 |
| (PC Training: Beginning) <i>Windows</i> .....                         | 9/90 .....       | 27/9 .....      | 19 |
| <i>Windows</i> 3.0 Arrives .....                                      | 7/90 .....       | 27/7 .....      | 16 |
| <i>Windows</i> Tip: Viewing System Configuration .....                | 9/90 .....       | 27/9 .....      | 20 |
| (About Disks for) <i>Windows Word</i> .....                           | 4/90 .....       | 27/4 .....      | 19 |
| (Preliminary Words on Microsoft) <i>Windows Word</i> for the PC ..... | 2/90 .....       | 27/2 .....      | 15 |
| <i>WINGZ</i> - A Special Promotion .....                              | 11/90 .....      | 27/11 .....     | 30 |
| <i>WINGZ</i> Demo Nov. 16 .....                                       | 11/89 .....      | 26/11 .....     | 16 |
| New PC Class: Basic <i>Word</i> for <i>Windows</i> .....              | 9/90 .....       | 27/9 .....      | 19 |
| <i>Word</i> 5.0 Drivers for New HP Cartridges .....                   | 3/90 .....       | 27/3 .....      | 22 |
| (Microsoft) <i>Word</i> 4.0 Workshops on the Macintosh .....          | 1/90 .....       | 27/1 .....      | 15 |
| (Microsoft) <i>Word</i> 4.0 Workshops on the Macintosh .....          | 2/90 .....       | 27/2 .....      | 15 |
| <i>WORDPERFECT</i> 5.1 equations at <i>eqn</i> .....                  | 8/90 .....       | 27/8 .....      | 22 |
| <i>Word Wrapper</i> .....   | 1/90 .....       | 27/1 .....      | 17 |
| (Lunchtime) Workshops for the Macintosh and for the PC .....          | 7/90 .....       | 27/7 .....      | 17 |
| Workstation Group Electronic Mail .....                               | ALL .....        | All .....       |    |
| X <i>WINDOW</i> Display Server on Macintosh .....                     | 3/90 .....       | 27/3 .....      | 9  |
| X <i>WINDOWS</i> Seminar/Demo January 18 (Solbourne) .....            | 1/90 .....       | 27/1 .....      | 10 |
| Year-end Clearance Sale .....   | 12/90 .....      | 27/12 .....     | 23 |

**YES**, I would like to receive the LBL Computing Newsletter

NAME .....

ADDRESS .....

.....

CITY

STATE .....

ZIP

PHONE .....

Return to ..... LBL Computing Newsletter  
Computer Center Library - MS 50F  
One Cyclotron Road  
Berkeley, CA 94720

Attention: NL MAILING LIST

**COMMENTS, QUESTIONS, SUGGESTIONS FOR FUTURE ARTICLES:**

---

Lawrence Berkeley Laboratory  
Computer Center Library - MS 50F  
One Cyclotron Road  
Berkeley, CA 94720  
ATTN: Newsletter Mailing List

---



# NAMES AND NUMBERS TO KNOW

from on-site, dial <xxxx> From off-site, dial (415)-<486-xxxx> From FTS, dial 451-<xxxx>

**INFORMATION AND COMPUTING SCIENCES DIVISION**

Director: Stewart Loken (SCLoken) .....7474 50B 2232E  
 Deputy Director: Sandy Merola (AXMerola) .....7440 50B 2232C

**OFFICE OF COMPUTING RESOURCES**

Head: Dave Stevens (DFStevens) .....7344 50B 2270B

**COMMUNICATIONS & NETWORKING RESOURCES**

Head: Ken Wiley (KGWiley) .....7083 50B 2258E

**NETWORK SYSTEMS**

Bob Fink (RLFink) .....5692 50B 2258B

**COMMUNICATIONS & NETWORKING FACILITIES**

Sig Rogers (SGRogers) .....6713 50B 2258F

**TELEPHONE SERVICES**

Sam Gibson (FSGibson) .....4234 50B 2258D

**COMPUTING SERVICES**

Head: Marv Atchley (FMAatchley) .....5455 50F 117  
 Deputy: Harvard Holmes (HHHolmes) .....5742 50F 115  
 Central Office .....5871,2 50F 125

**VMS SYSTEM**

Eric Beals (ERBeals) .....5351 50F 143  
 System Manager: Gil Johnson (GPJohnson) .....6211 50B 1225

**UNIX SYSTEM AND DISTRIBUTED PRINTING**

Craig Eades (CAEades) .....6569 50F 142  
 UNIX (DHCLevland) .....5336 50F 110  
 Distributed Printing (RERendler) .....5629 50F 129  
 System Manager: Roger Cochran (RJCochran) .....5565 50F 127

**USER RESOURCES**

Jerry Borges (JTBorges) .....5568 50F 144  
 Accounting .....7008 50B 1232A  
**HELP DESK** .....5981 50B 1215  
 Math Libraries .....4749 50F 114  
 Library/Document Sales .....7008 50B 1232A  
 Opening a New Account (PSBean) .....7008 50B 1232A  
 UNIX and Cluster:  
 Software Evaluation and Acquisition .....5568 50F 144

**GRAPHICS**

Nancy Johnston (NEJohnston) .....5093 50F 145

**COMPUTING FACILITIES**

Connecting a Remote Terminal .....5354 50B 2215  
 Terminal Repair  
 Paul G Murray (PGMurray) .....5354 50B 2215  
 Operations Area .....6211 50B 1215

**COMPUTING APPLICATIONS**

Applications Group  
 Head: Jerry Borges (JTBorges) .....5568 50F 144

**WORKSTATION GROUP**

Group Leader: Richard LaPierre (RLLaPierre) .....4692 50B 2245  
 Software Evaluation and Acquisition .....6858 50B 2231

**IMAGING TECHNOLOGY GROUP**

Head: William E. Johnston (WEJohnston) .....5014 50B 3238A

Safety Hazards E-mail address:.....hazard@lbl.gov  
 .....lbl:hazard

NERSC Consulting Number is 422-1544

**CENTRAL ELECTRONIC MAIL FACILITY**

First Initial-Middle Initial-Last Name is the standard recipient format in lab-wide mailing address

Examples: VMS.....lbl::JASmith  
 UNIX.....JASmith@lbl.gov  
 Software Tools.....JASmith@lbl.gov

**NETWORK CONTACT INFORMATION**

LBLnet New Installations & Trouble Calls  
 Ted Sopher (TGSopher) .....4559, 5354 50B - 2258  
 DECnet Administration  
 William Jaquith (WDJaquith) .....6966 50F - 146  
 IBM PC & Mac Network Administration  
 William Jaquith (WDJaquith) .....4388 50B -2231C  
 Nancy Travis (NJTravis) .....7690 50B -2231B  
 Distributed Printing/Kinetics FastPath  
 administration and requests  
 Bob Rendler (RERendler) .....5629 50F - 129  
 AppleTalk & Kinetics FastPath Support .....5354 50B - 2215

LBLnet troubles .....trouble@lbl.gov  
 LBLnet comments or non-critical trouble reports .....lblnet@lbl.gov  
 Internet administration .....ip-request@lbl  
 LBL Postmaster for Lab-wide mail .....postmaster@lbl.gov  
 Network Advisory Group (NAG) .....nag@csam.lbl.gov

**ICS**

**ICS Access Names**

[VAX 64xx's (Generic) .....CSA]  
  
 VAX 6420 (VMS) .....CSA1  
 VAX 6420 (VMS) .....CSA2  
 VAX 6410 (VMS) .....CSA3  
  
 SUN-3/280 (UNIX 1) .....UX1  
 SUN-3/180 (UNIX 3) .....UX3  
 SUN-4/490 (UNIX 5) .....UX5  
 SUN-3/180 (ISD) .....ISD

**Dial-up Access Numbers for ICS**

| Incoming Baud Rate | Connect Baud Rate  | Number   |
|--------------------|--------------------|----------|
| 3/12/2400 BPS..... | 3/12/2400 BPS..... | 486-7930 |
| 3/12/2400 BPS..... | 9600 BPS.....      | 486-7900 |
| 9600 BPS.....      | 9600 BPS.....      | 486-7996 |

**Local TYMNET Access Numbers for ICS**

|                           | 1200 BPS          | 2400 BPS |
|---------------------------|-------------------|----------|
| Oakland.....              | 430-2900.....     | 633-1896 |
| Walnut Creek/Concord..... | 935-0370.....     | 935-1507 |
| San Francisco.....        | 974-1300.....     | 543-0691 |
| Santa Clara.....          | 408-432-3430..... | 432-8618 |
| Palo Alto.....            | 415-366-1092..... | 361-8701 |
| San Jose.....             | 408-432-3430..... | 432-8618 |
| Fremont.....              | 490-7366.....     | 490-7366 |
| Davis.....                | 916-758-3551..... |          |
| Burlingame.....           | 415-588-3043..... |          |
| Vallejo.....              | 707-644-1192..... |          |
| Antioch.....              | 754-8222.....     |          |
| Pleasanton.....           | 462-2101.....     |          |

Lawrence Berkeley Laboratory  
Computer Center Library - MS 50F  
One Cyclotron Road  
Berkeley, CA 94720